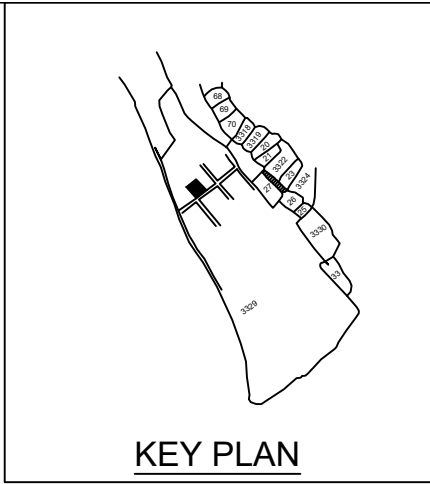
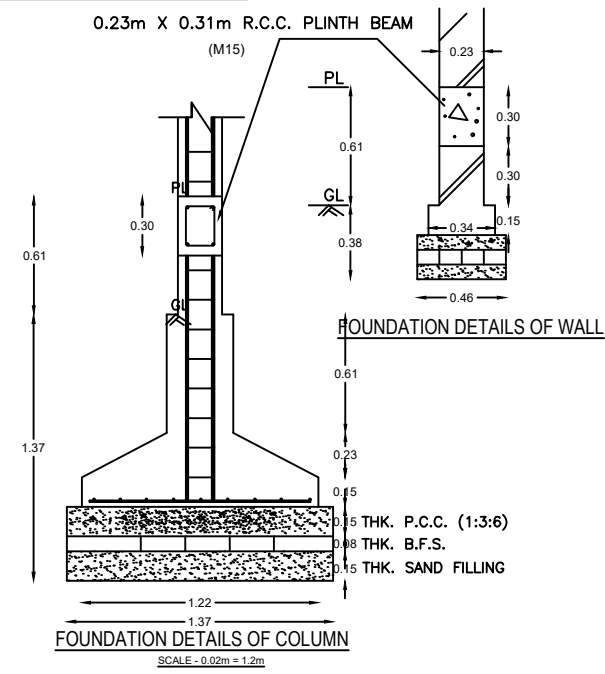


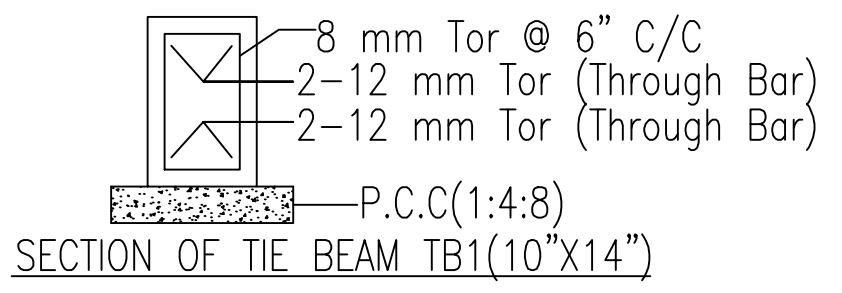
**ROAD**  
**SITE PLAN**  
**SCALE - 1" = 16'-0"**



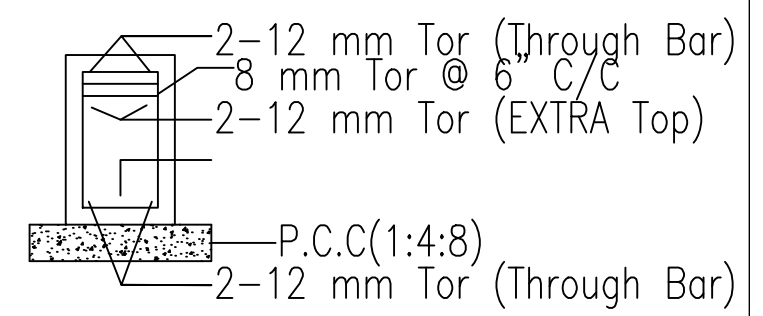
**KEY PLAN**



**FOUNDATION DETAILS OF WALL**  
**FOUNDATION DETAILS OF COLUMN**  
**SCALE - 0.02m = 1.2m**

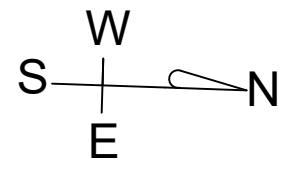


**SECTION OF TIE BEAM TB1(10"X14")**



**SECTION OF TIE BEAM TB2(10"X14")**

COLUMN SCHEDULE				
COLUMN SIZE	C1	C2	C3	
CONCRETE MIX	M20	M20	M20	
SECTION WITH MAIN STEEL	4-16 mm. Tor	4-16 mm. Tor	4-16 mm. Tor	
FOUNDATION TO 1ST. FLOOR LEVEL	6-12 mm. Tor	2-12 mm. Tor	6-12 mm. Tor	
LINKS	8 mm. @ 6" C/C AT SUPPORT & 8 mm. @ 8" C/C AT MIDDLE	8 mm. @ 6" C/C AT SUPPORT & 8 mm. @ 8" C/C AT MIDDLE	8 mm. @ 6" C/C AT SUPPORT & 8 mm. @ 8" C/C AT MIDDLE	



**DETAILS OF AREA**

TOTAL LAND AREA	-----	334.43 SQM.
GROUND FLOOR AREA	-----	191.38 SQM.
GROUND FLOOR AREA	-----	191.38 SQM.
GROUND FLOOR AREA	-----	191.38 SQM.
TOTAL COVERED AREA	-----	574.14 SQM.
% PLINTH AREA	-----	57.25 %
FAR	-----	1.71

SIGNATURE OF OWNER

SIGNATURE OF ENGINEER

LAYOUT PLAN OF PROPOSED RESIDENTIAL BUILDING OF SMT. SARASWATI MAHATO W/O SRI. LAKHAN MAHATO OF RANGAMATIYA, P.S. - BALIAPUR DHANBAD, UNDER MOUZA-KOLAKUSMA, NO.- 11, KHATA NO.- 131, PLOT NO.- 3329 (P) IN THE DISTT. OF DHANBAD (JHARKHAND).