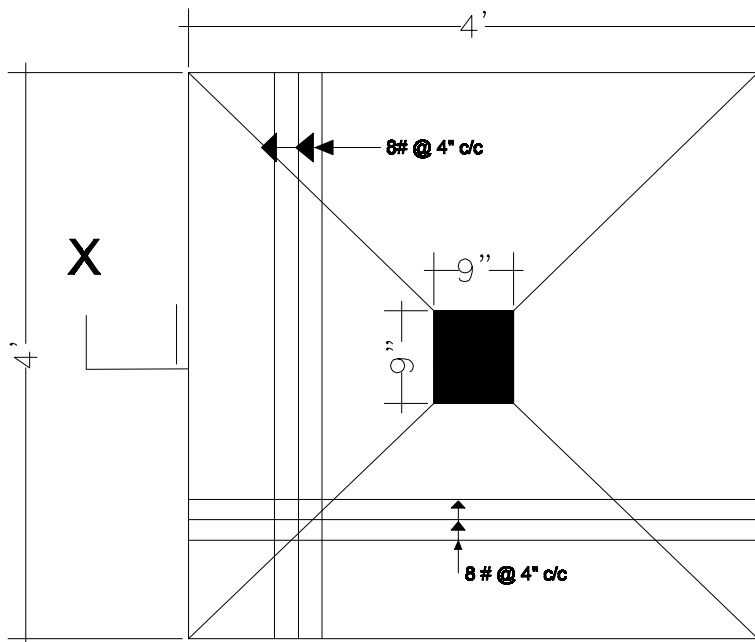


SECTION AT X-X

DETAIL OF COLUMN FOUNDATION



**TYPICAL
FOOTING PLAN**

SMT. SARITA DEVI

STRUCTURAL DRAWING