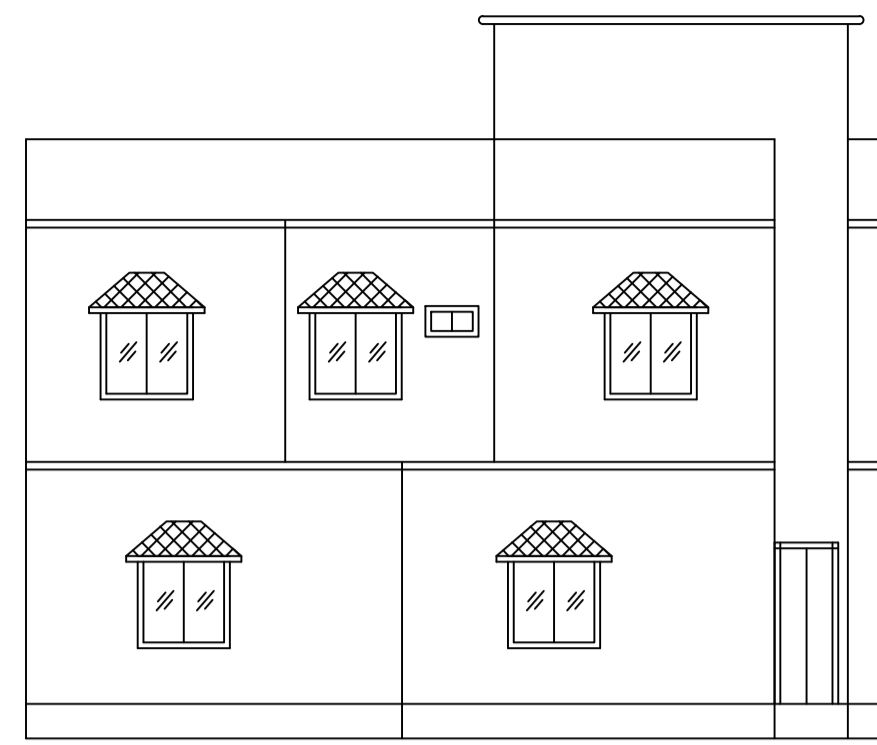
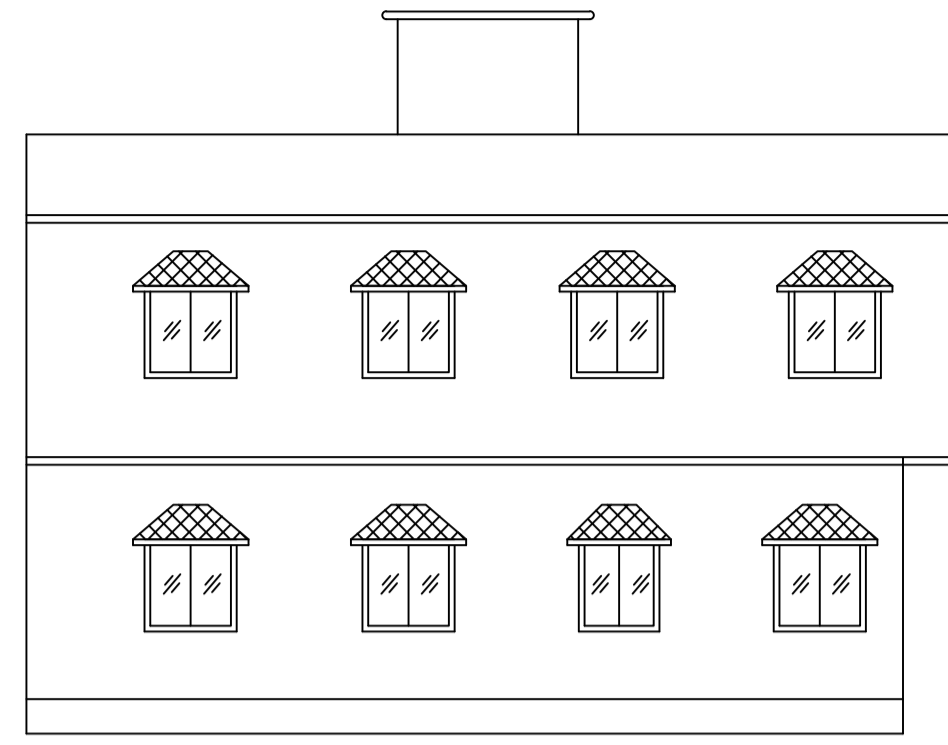


Proposal Basic Information

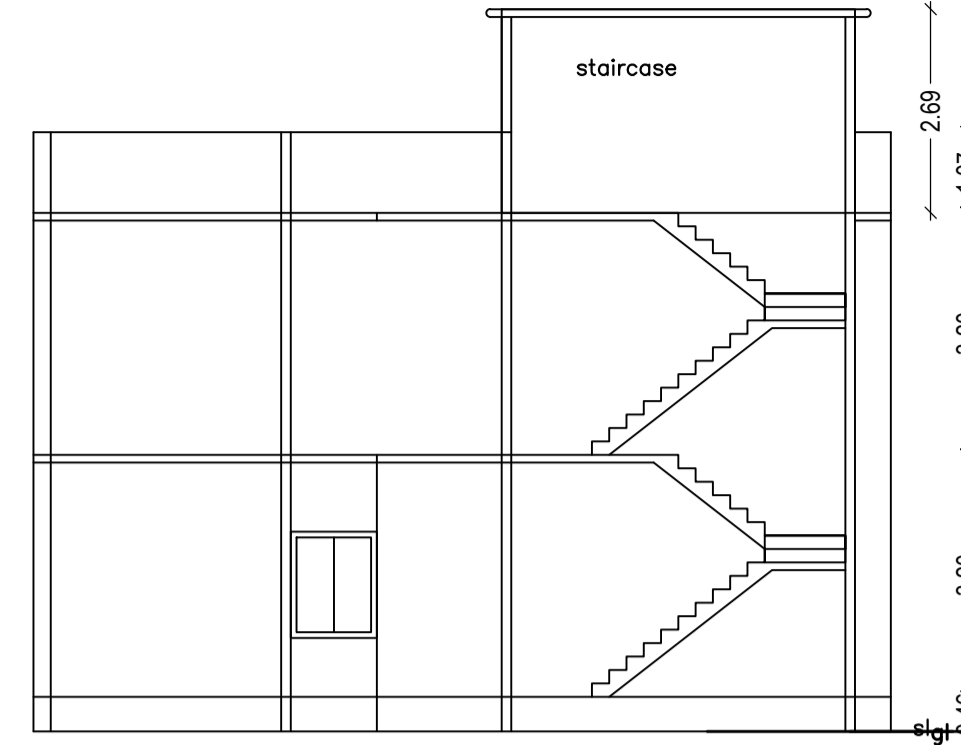
Proposal File No.	DMC/BP/0077/W23/2018
Owner Name	SABITA DEVI
Khata No	09
Plot No	2310
Village Name	Kolakusma
Use	Residential
SubUse	Residential Bldg/Apartment



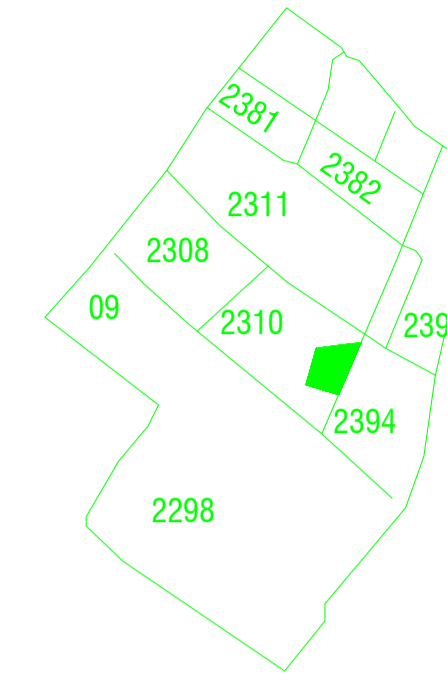
FRONT ELEVATION



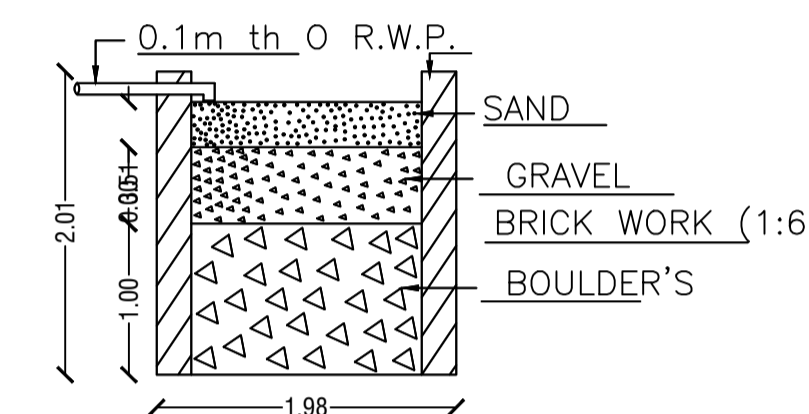
LEFT SIDE ELEVATION



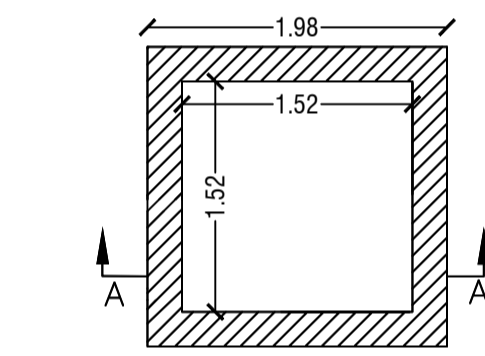
SECTION ON X-X



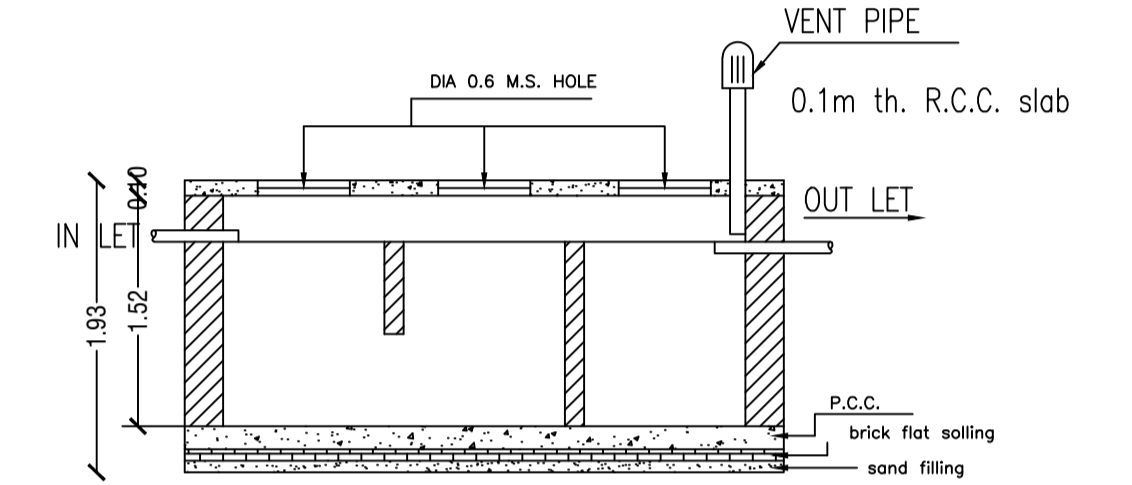
KEY PLAN



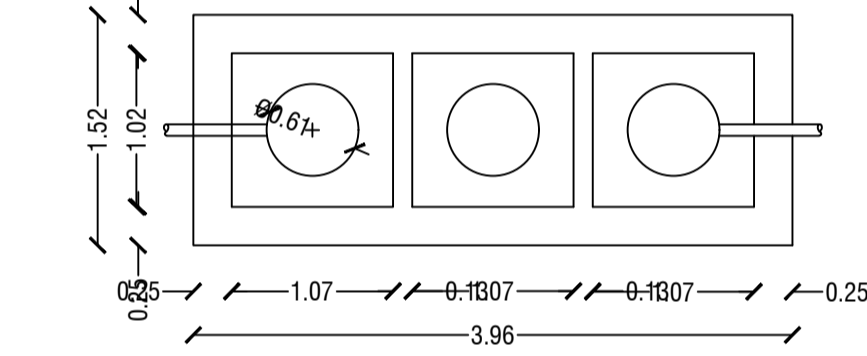
SECTION ON - AA



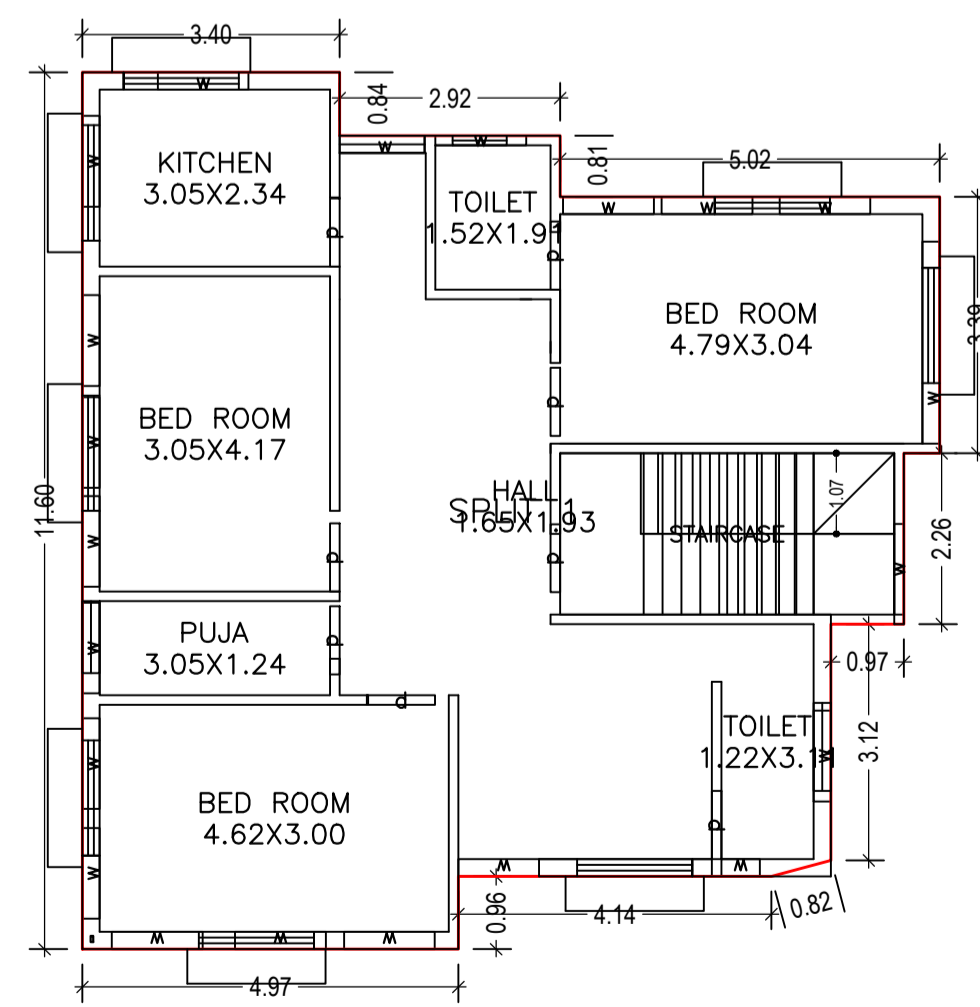
DETAIL'S OF WATER HARVESTING



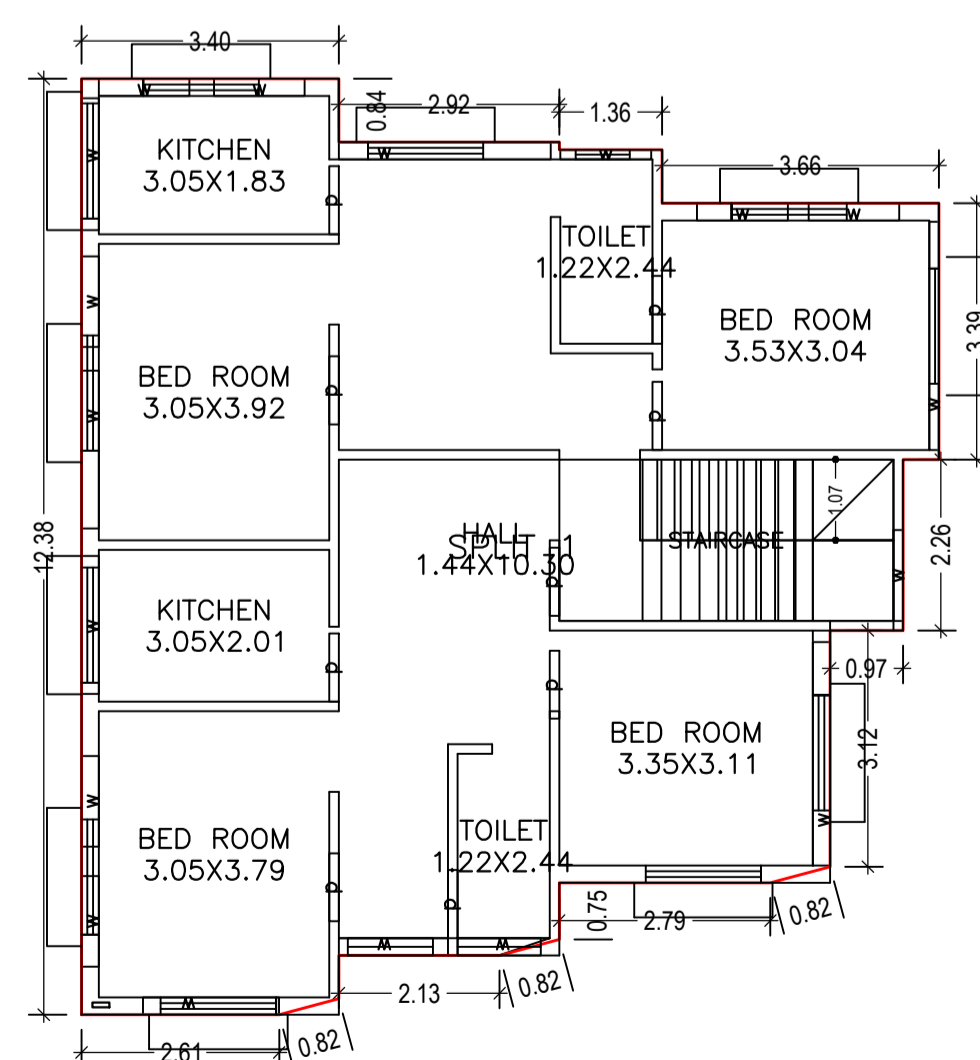
SECTION



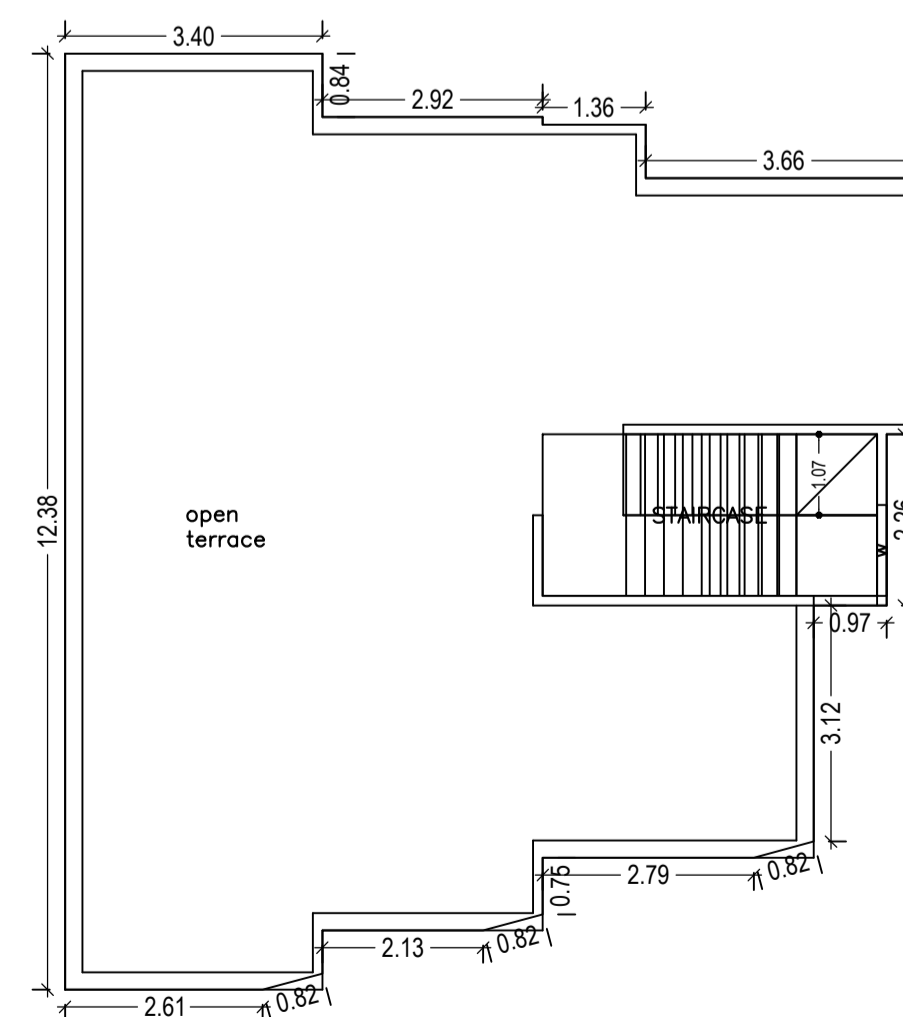
DETAILS OF SEPTIC TANK



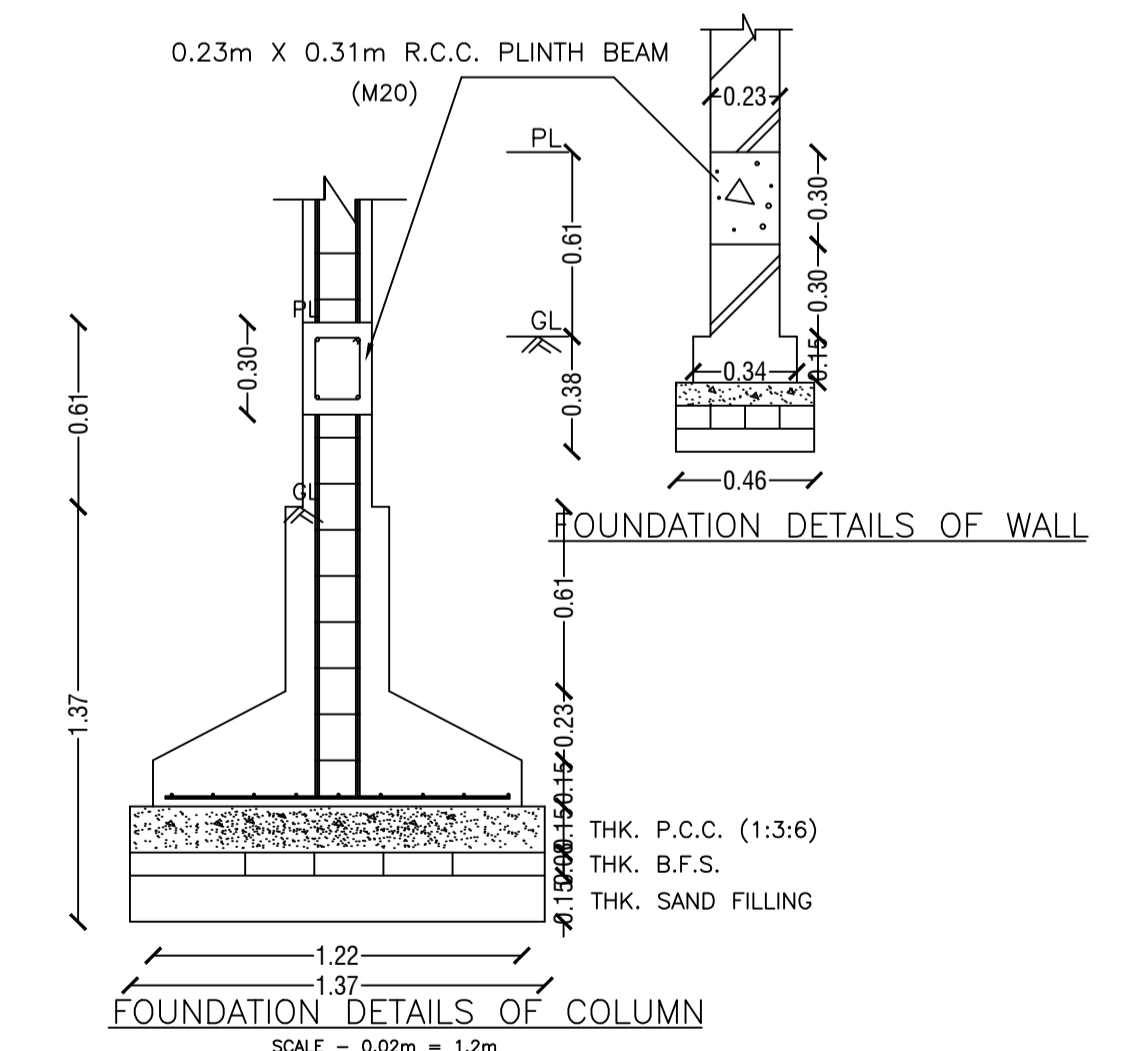
GROUND FLOOR PLAN
(Proposed)
(SCALE 1:100)



FIRST FLOOR PLAN
(Proposed)
(SCALE 1:100)



TERRACE FLOOR PLAN
(SCALE 1:100)



FOUNDATION DETAILS OF COLUMN

LTP NAME AND SIGNATURE SUSHIL KUMAR DMC/ENG/0005/2016	STRUCTURAL ENG'S NAME AND SIGNATURE	BUILDER NAME AND SIGNATURE
---	-------------------------------------	----------------------------