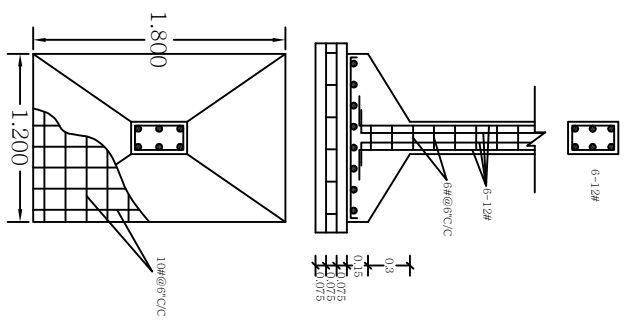
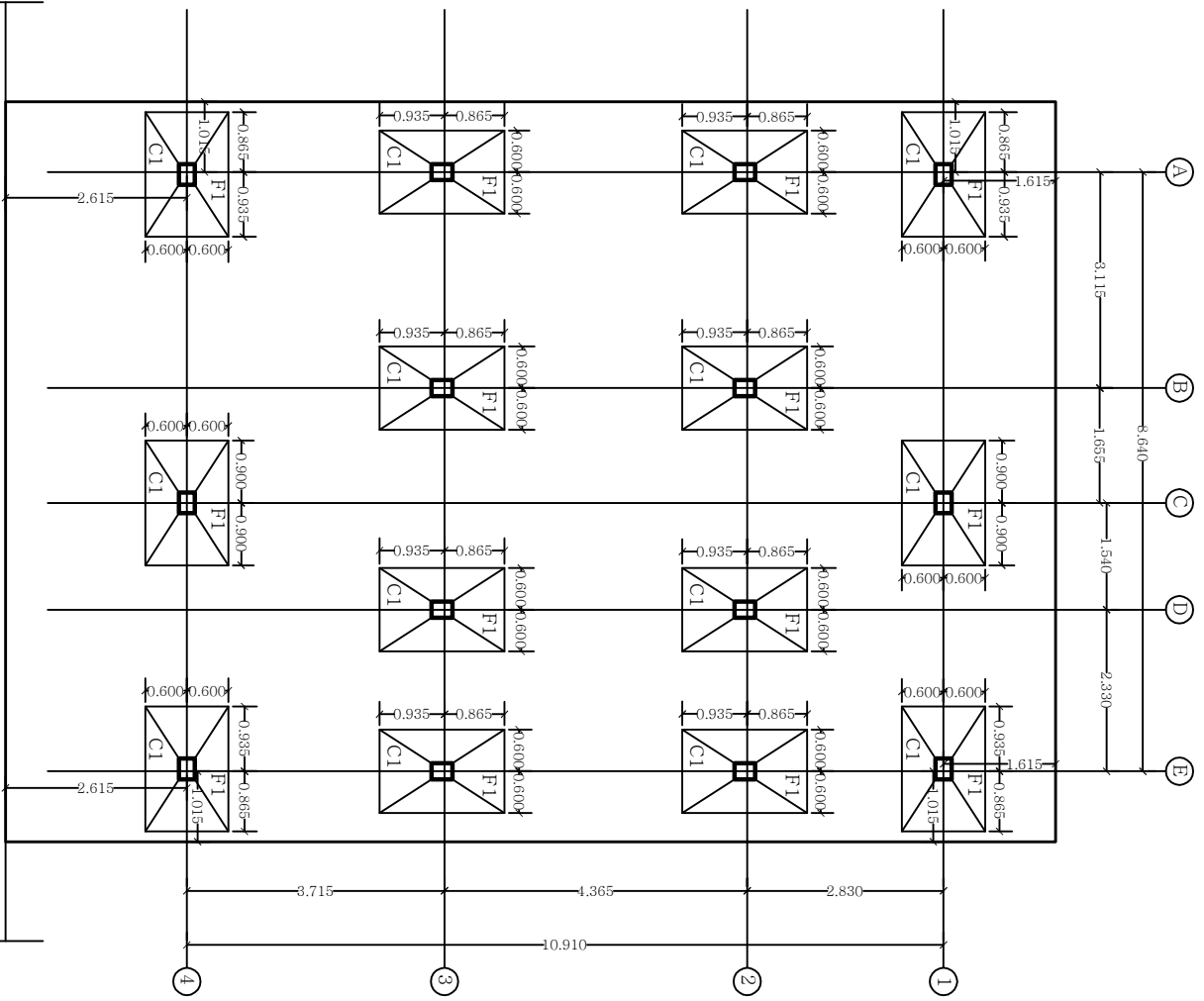


6.7M WIDE MAIN ROAD

LAYOUT - PLAN



0.3
0.15
0.075
0.075
0.075