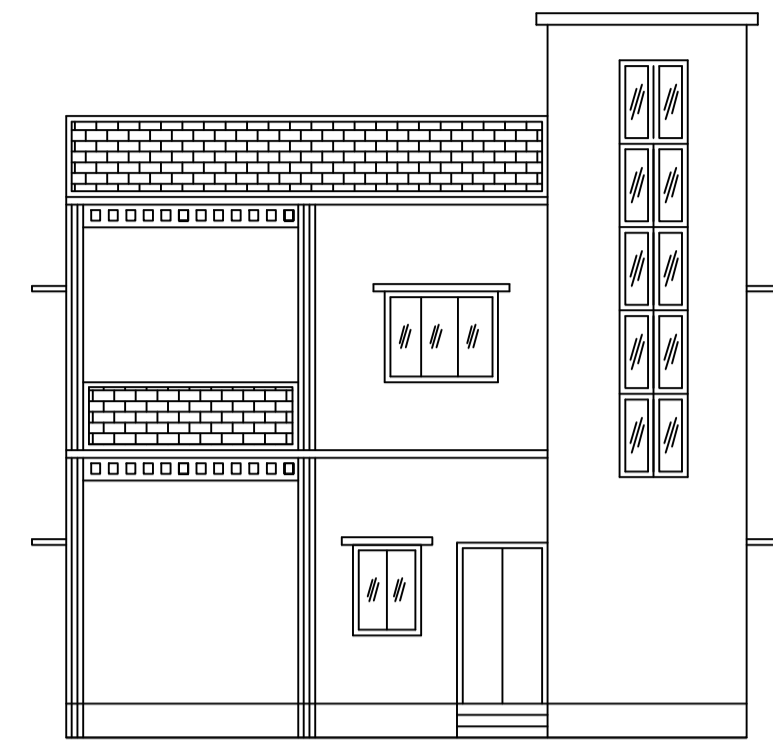


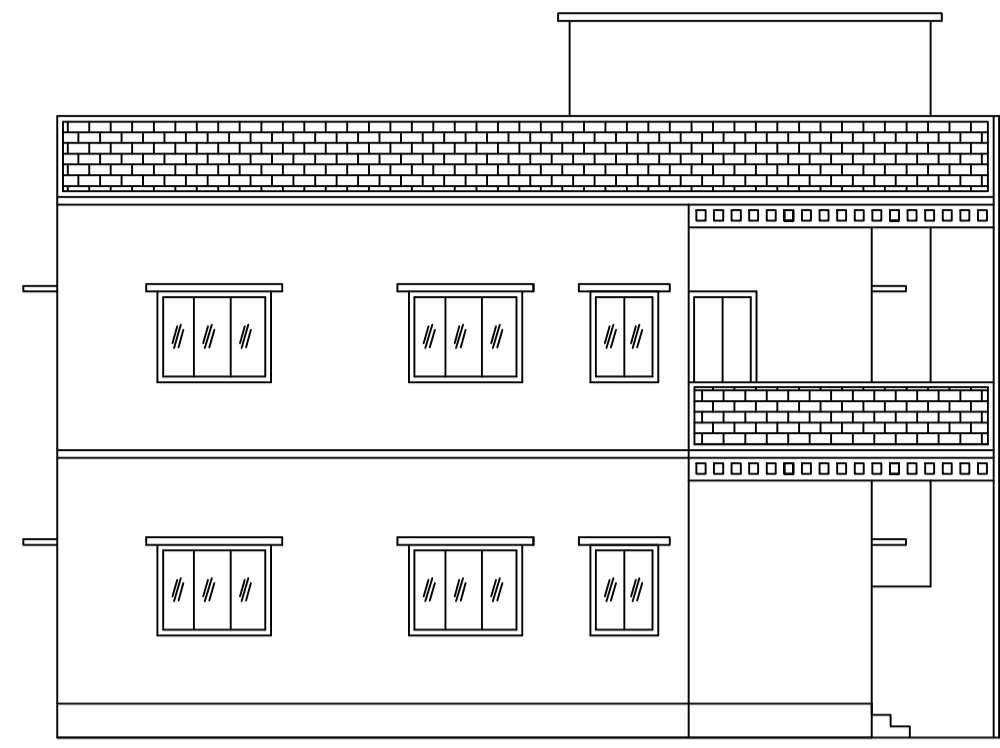


Proposal Basic Information

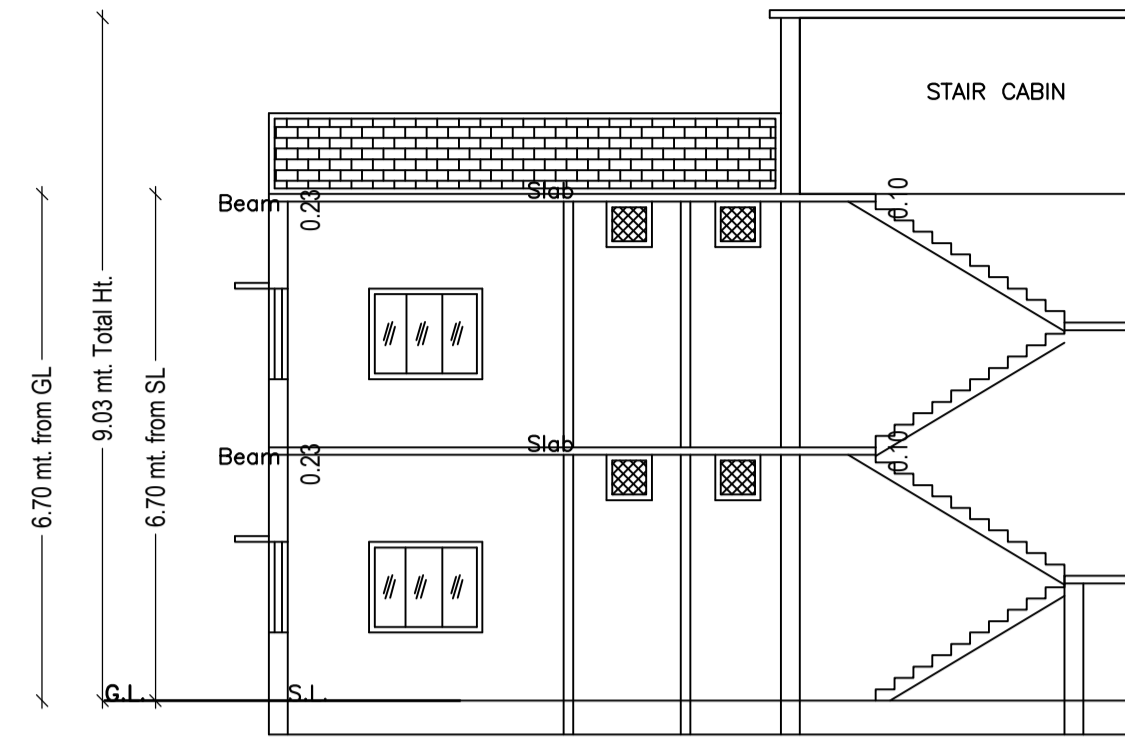
Proposal File No.	DMC/BP/0036/W22/2018
Owner Name	SRI SHIV SHANKAR PRASAD
Khata No	14
Plot No	96
Village Name	Bhelaland
Use	Residential
SubUse	Bungalow/ Dwelling / Non Apartment



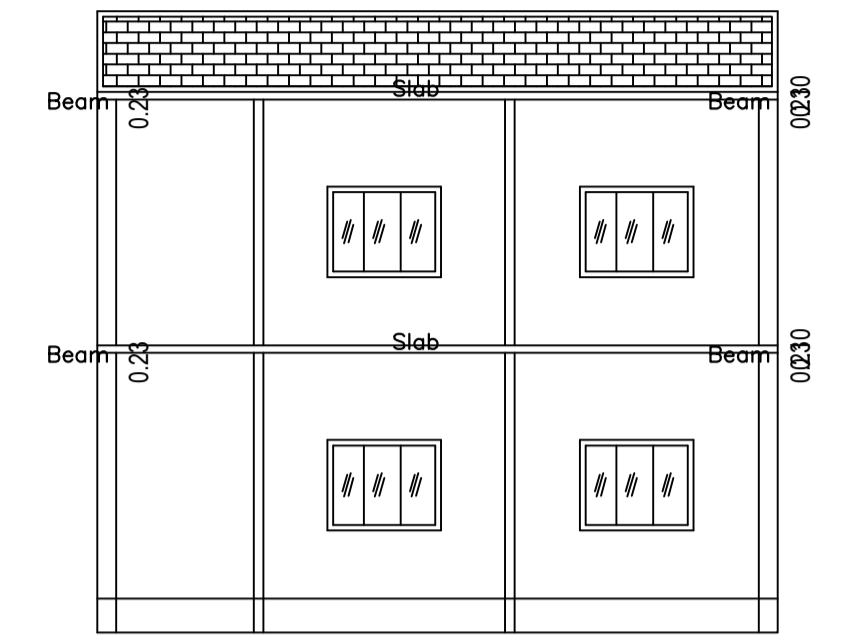
FRONT ELEVATION



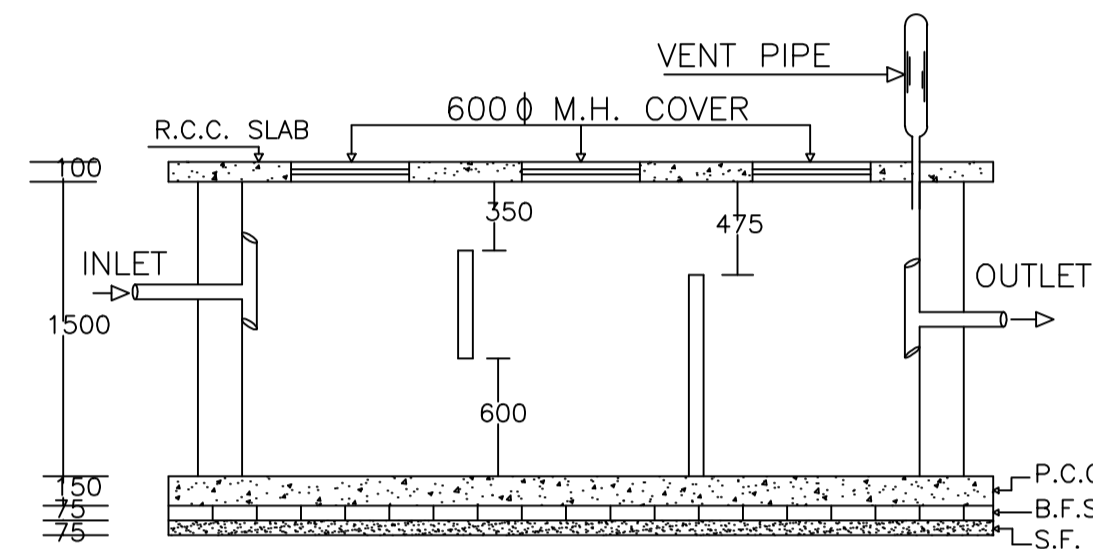
LEFT SIDE ELEVATION



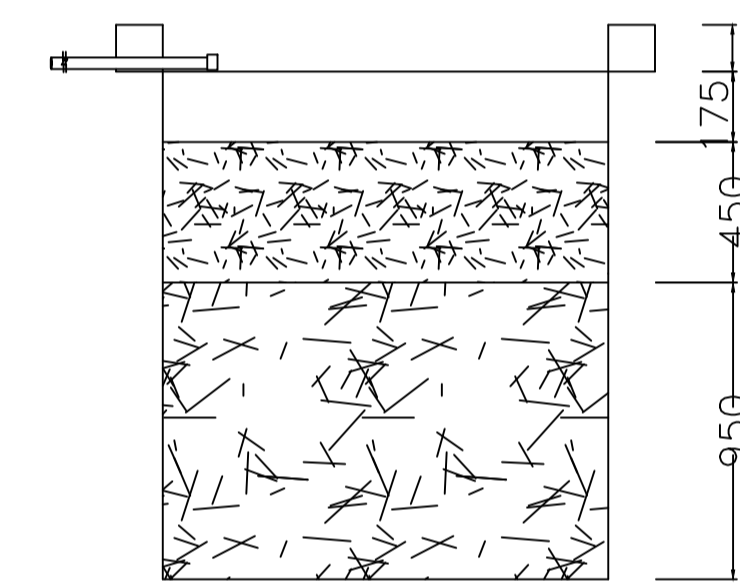
SECTION ON X-X



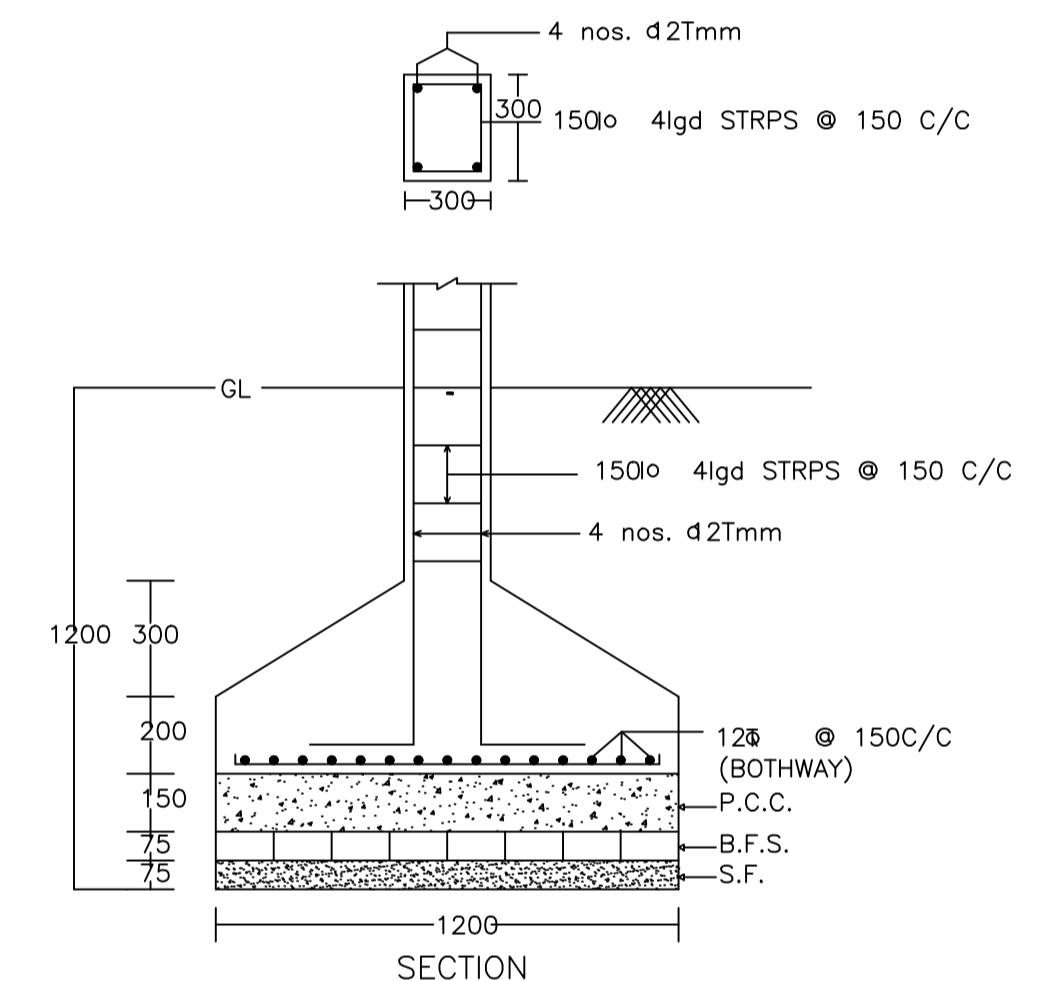
SECTION ON Y-Y



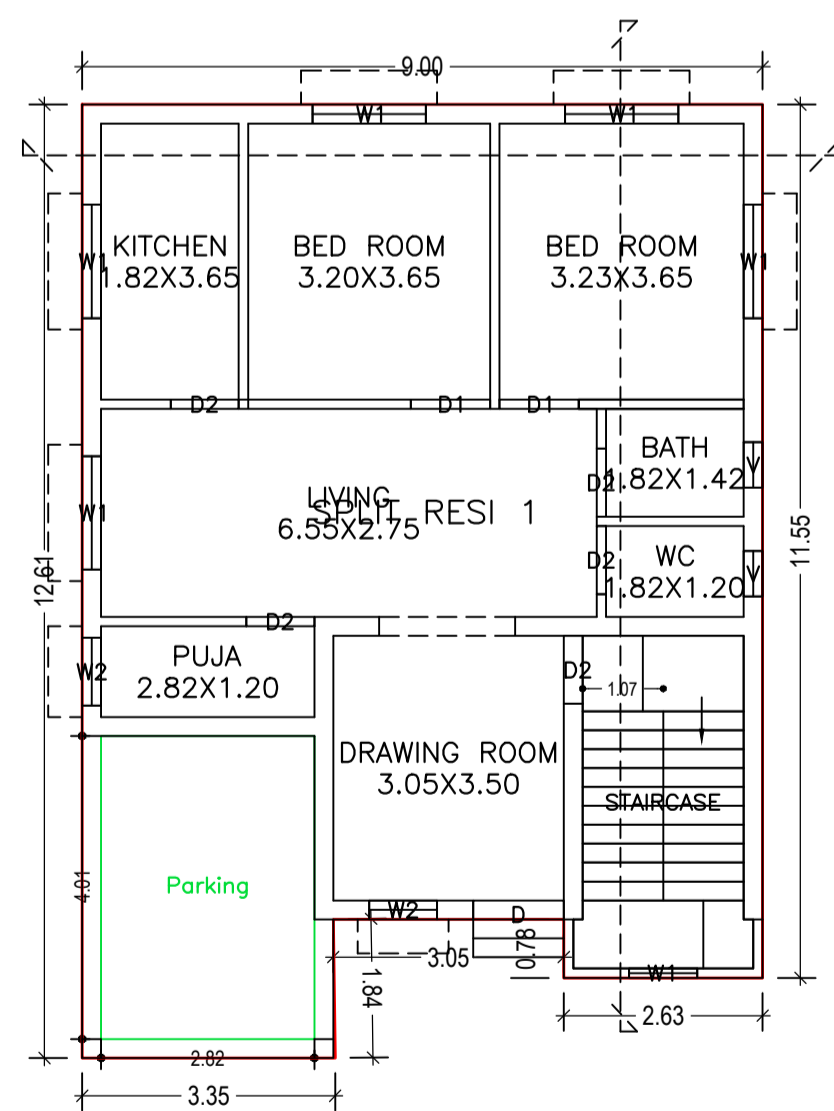
PLAN OF SEPTIC TANK



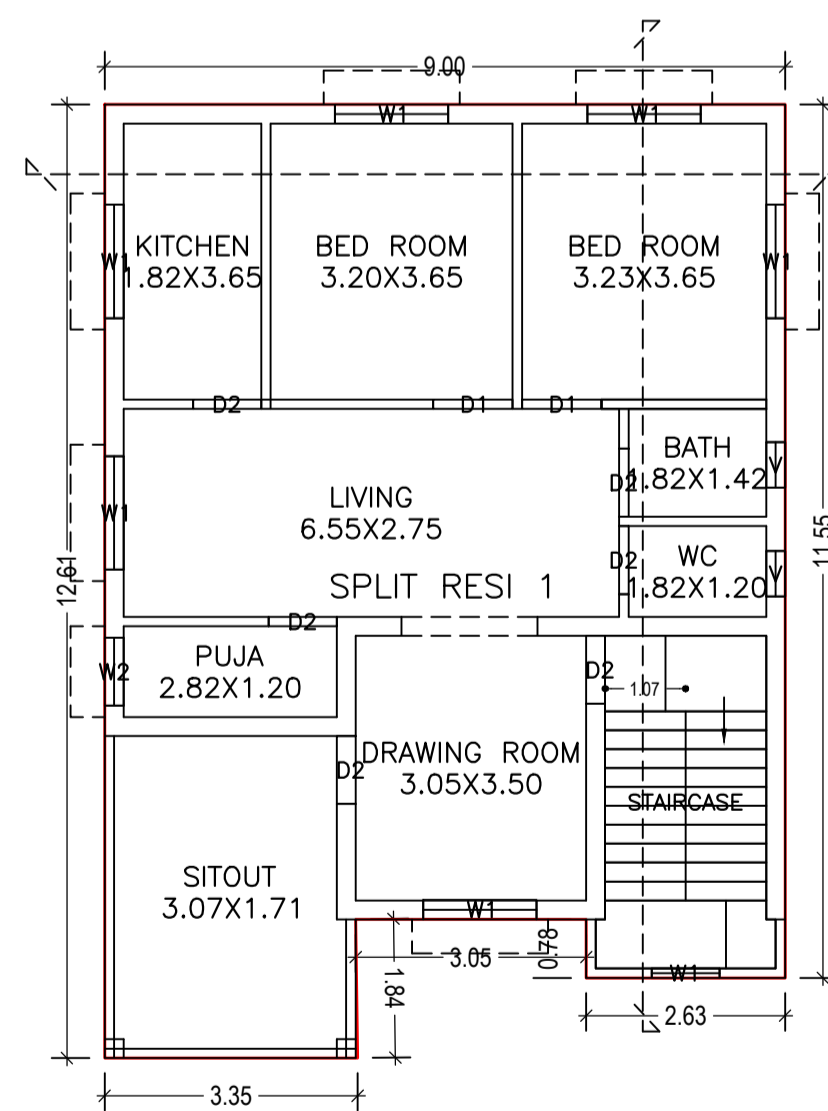
SECTION AT Y-Y



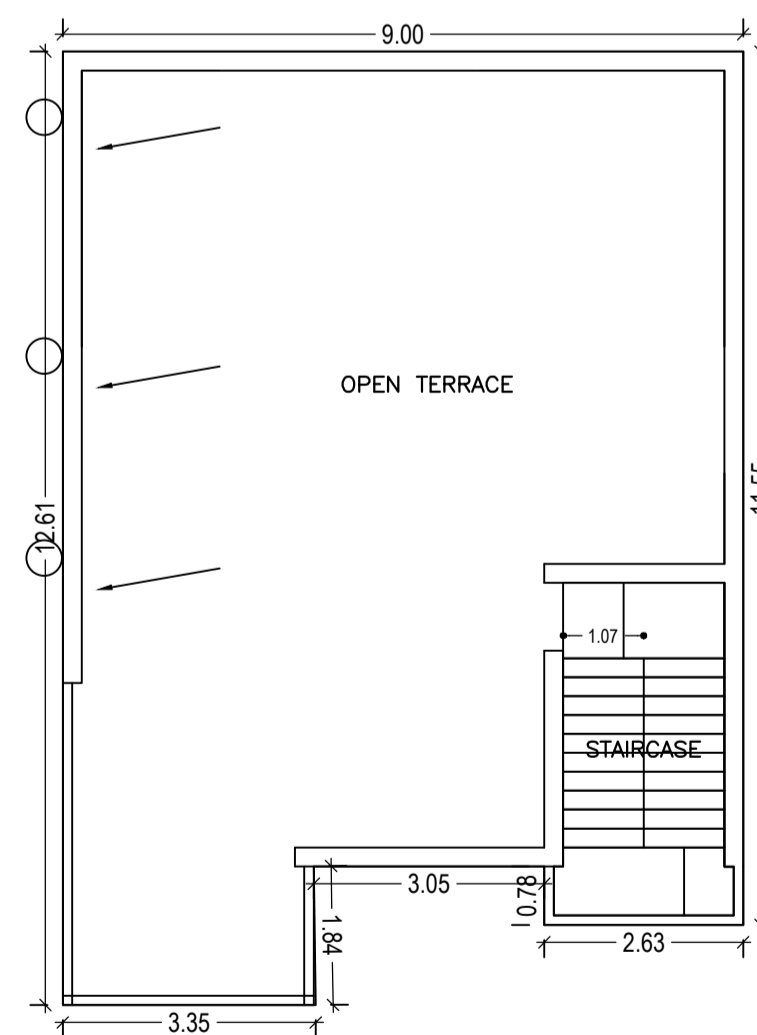
DETAIL OF COLUMNS



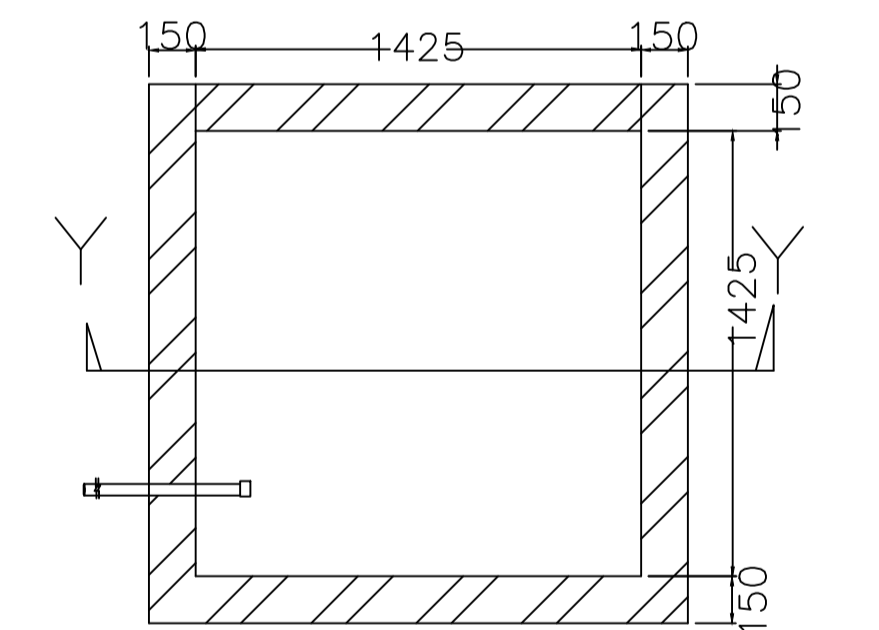
GROUND FLOOR PLAN  
(Proposed)  
(SCALE 1:100)



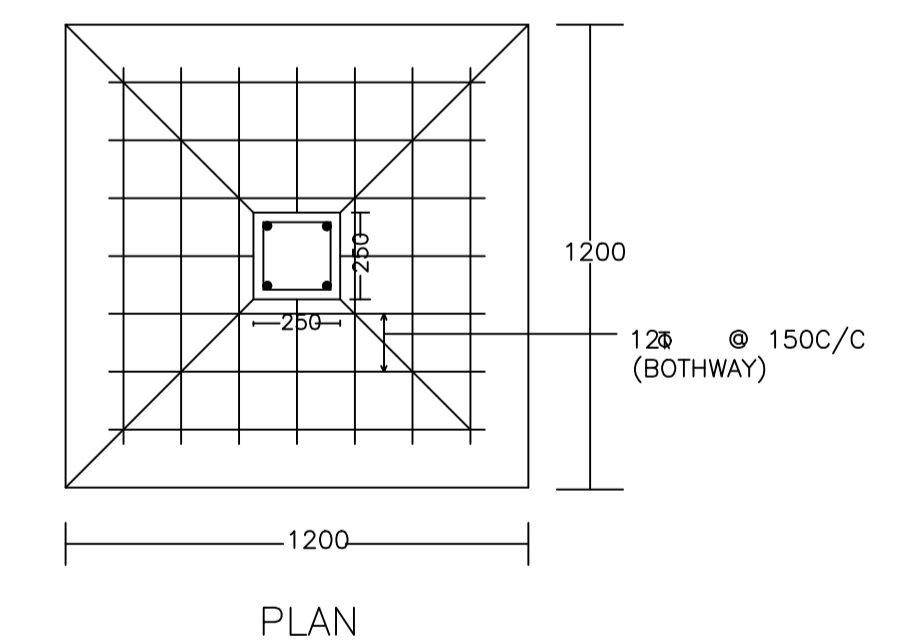
FIRST FLOOR PLAN  
(Proposed)  
(SCALE 1:100)



TERRACE FLOOR PLAN  
(SCALE 1:100)



PLAN OF RECHARGE WELL  
WATER HARVESTING



DETAIL OF COLUMNS

LTP NAME AND SIGNATURE	STRUCTURAL ENG'S NAME AND SIGNATURE	BUILDER NAME AND SIGNATURE	DIGITAL SIGNATURE
TULSI CHAUDHARI DMC/STU/0005/2017			