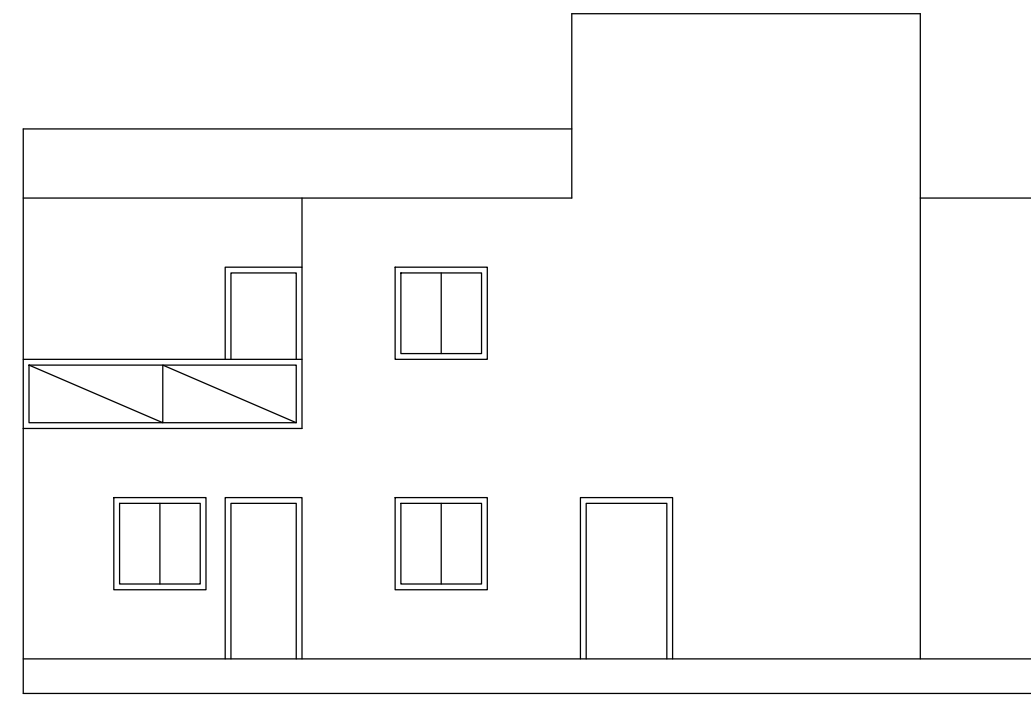
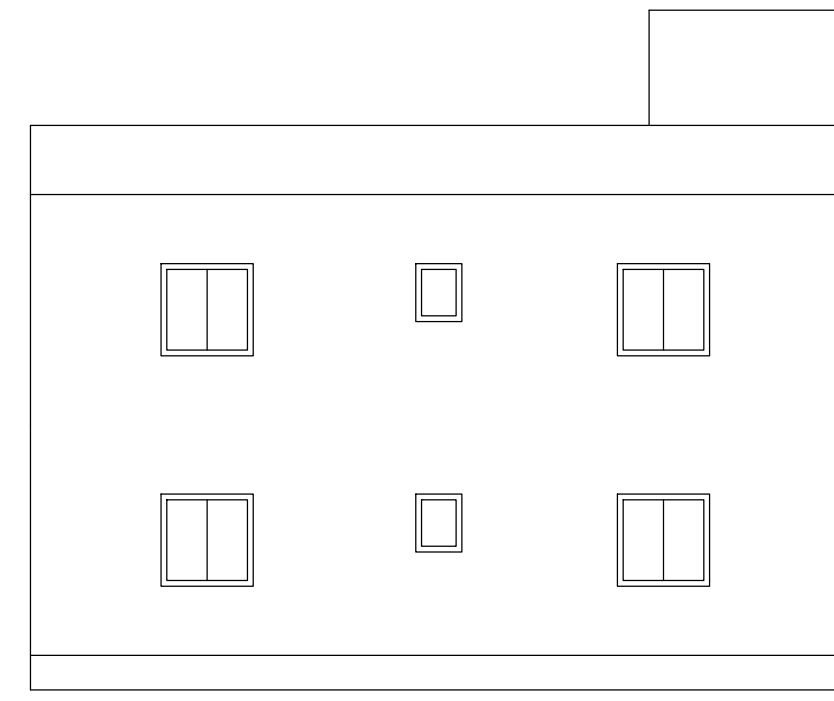


Proposal Basic Information

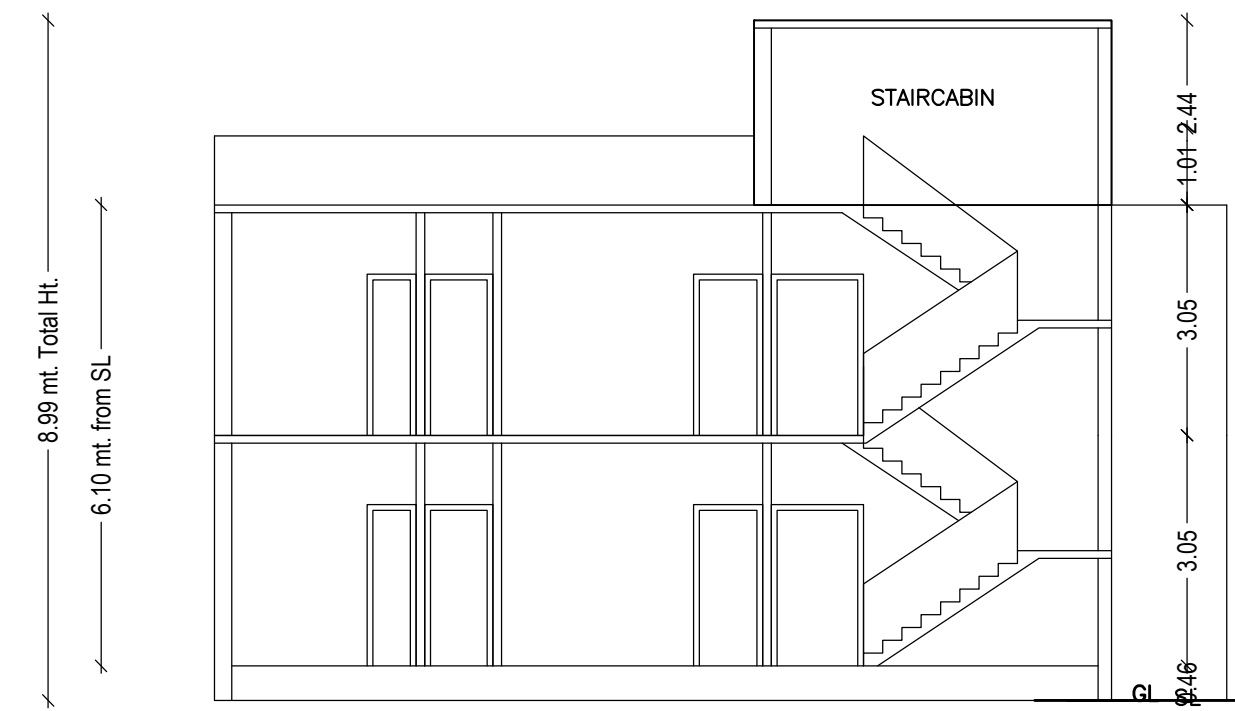
Proposal File No.	DMC/BP/0050/W17/2018
Owner Name	MOHAMMAD SAHID MIAN
Khata No	Old Khata no. - 96, New Khata no. - 196
Plot No	Old Plot no.- 3394 & 3395, New Plot no.- 2976
Village Name	Bhuli
Use	Residential
SubUse	Row House



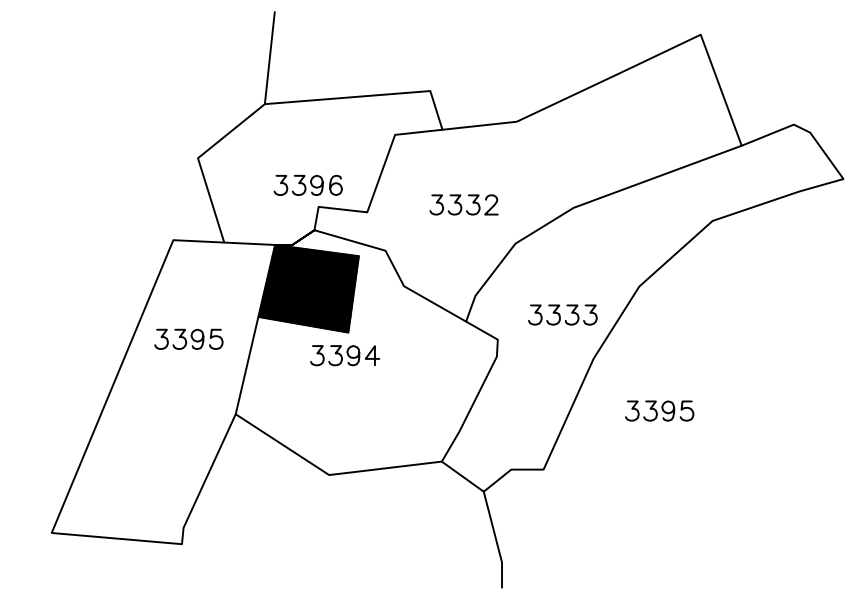
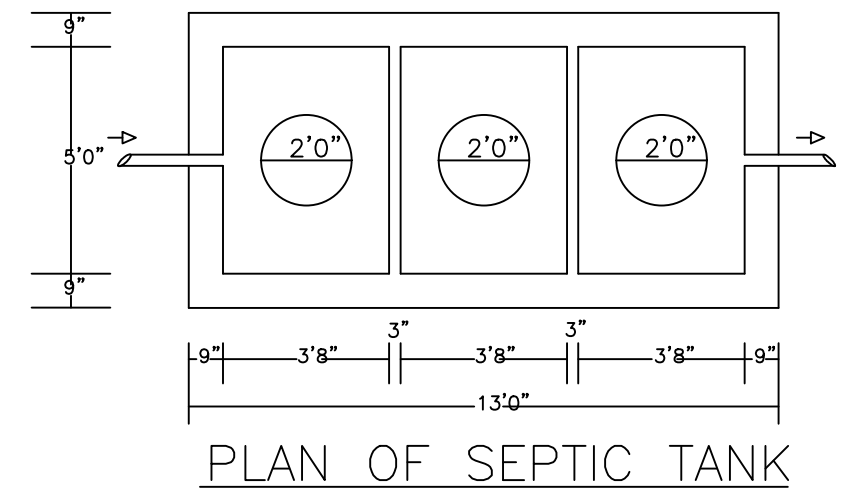
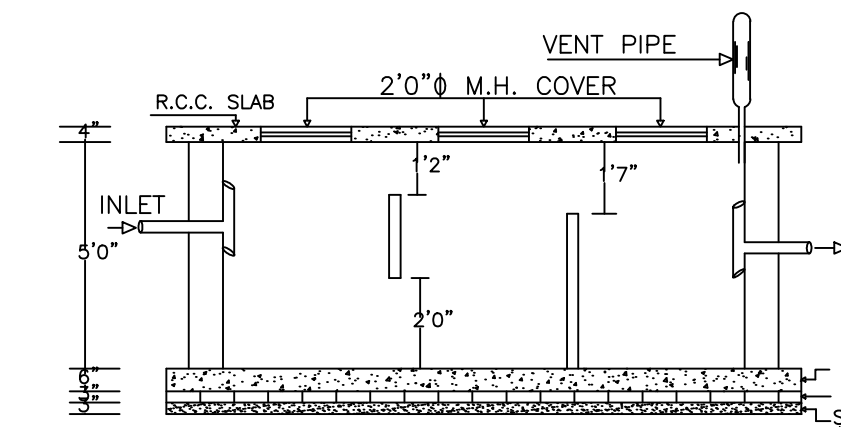
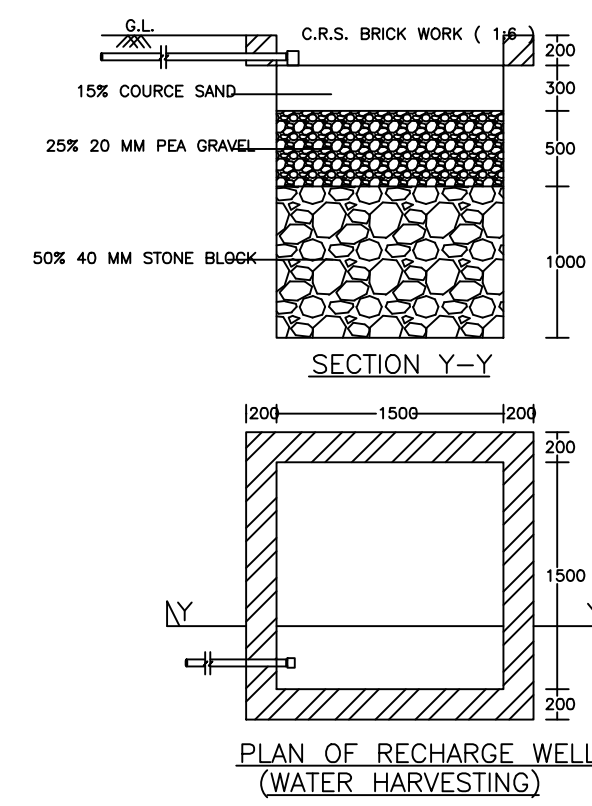
FRONT ELEVATION



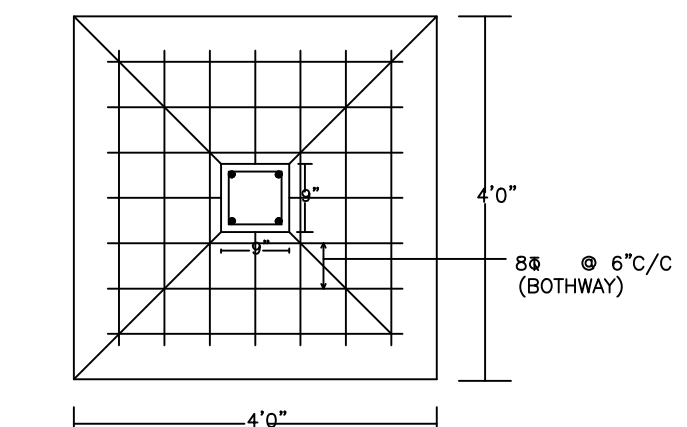
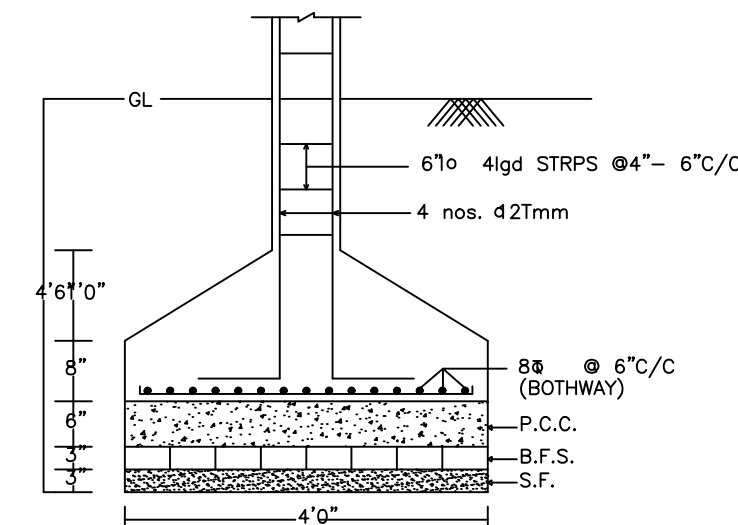
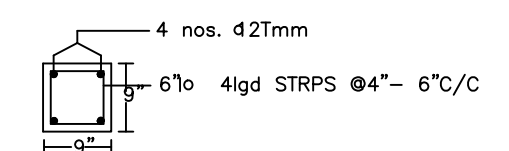
LEFT SIDE ELEVATION



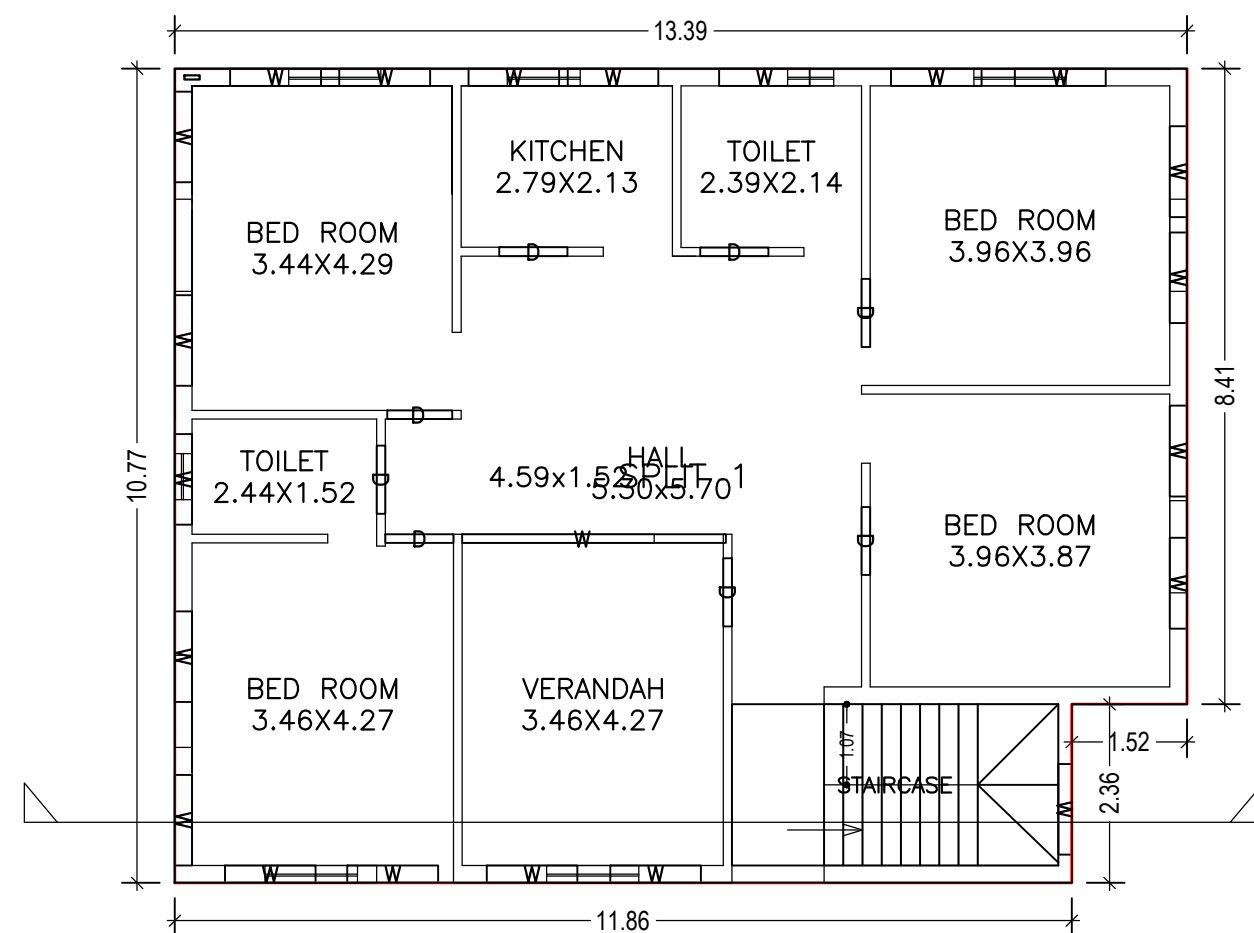
SECTION ON X-X



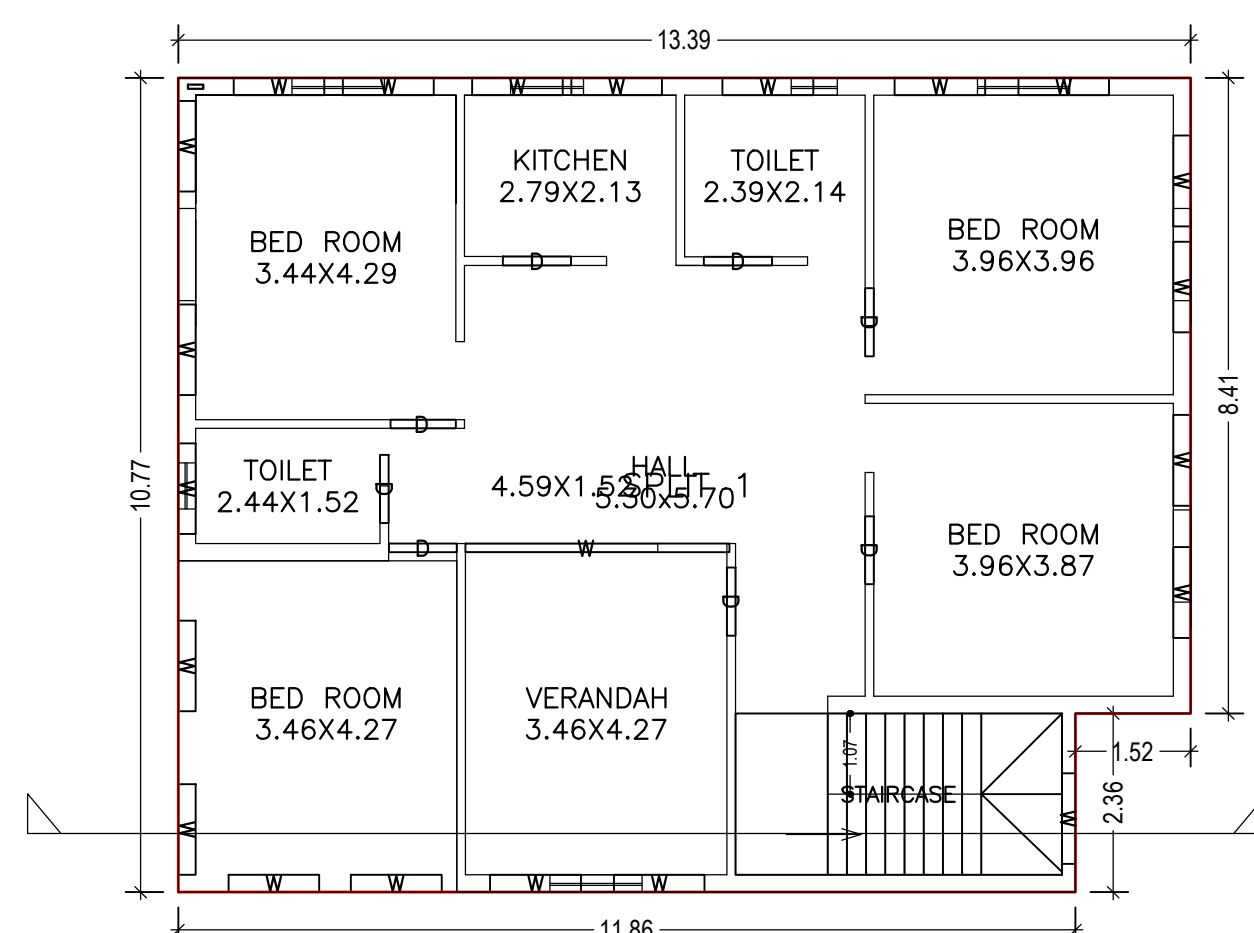
Key Plan



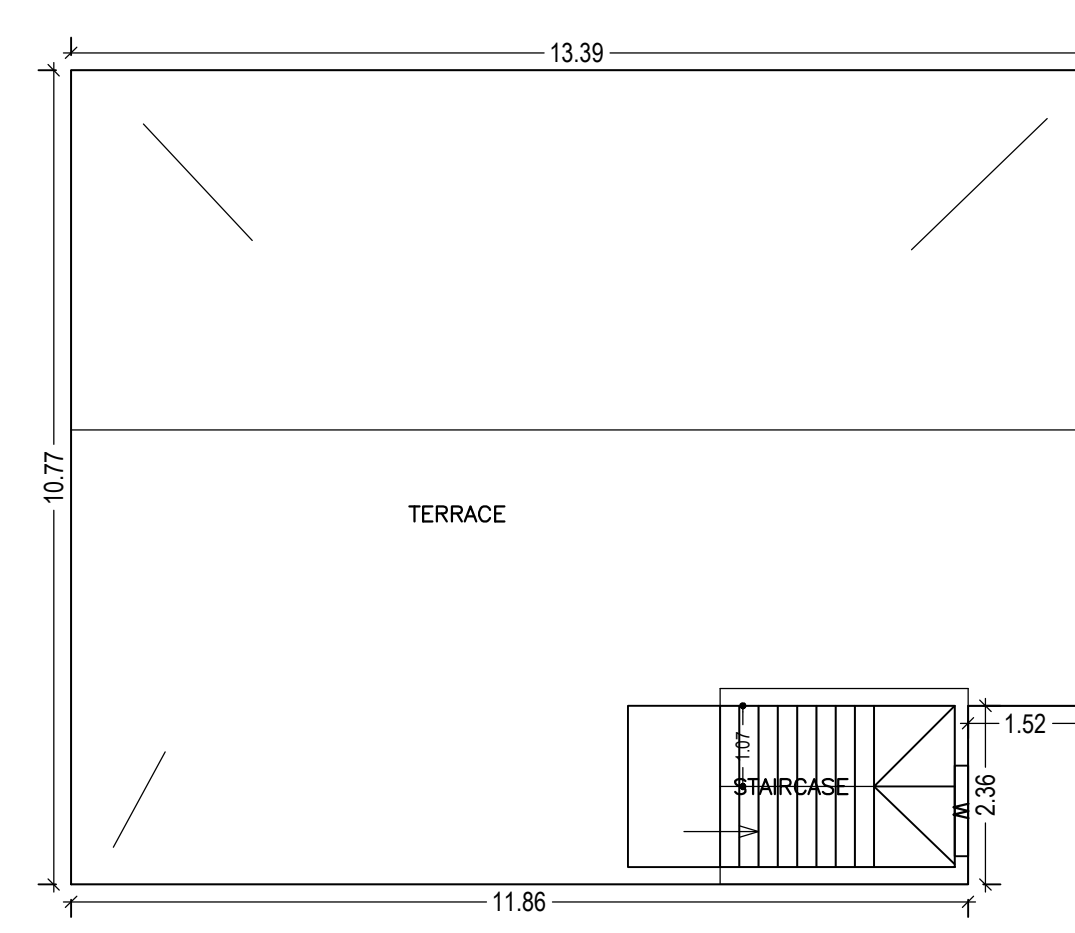
DETAIL OF COLUMNS



GROUND FLOOR PLAN (Proposed) (SCALE 1:100)



FIRST FLOOR PLAN (Proposed) (SCALE 1:100)



TERRACE FLOOR PLAN (Proposed) (SCALE 1:100)

LTP NAME AND SIGNATURE Kumud Kanchan DMC/ARC/0002/2016	STRUCTURAL ENG'S NAME AND SIGNATURE	BUILDER NAME AND SIGNATURE
--	-------------------------------------	----------------------------