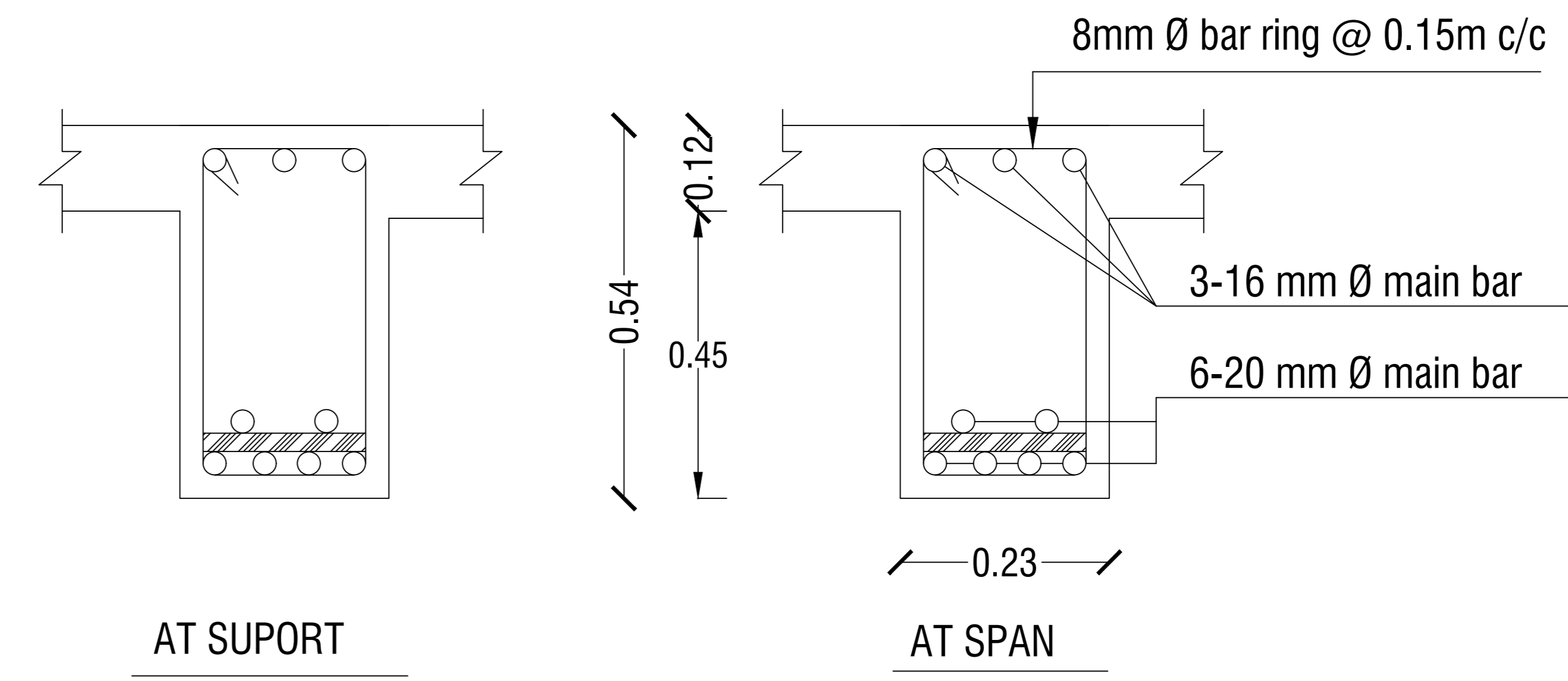
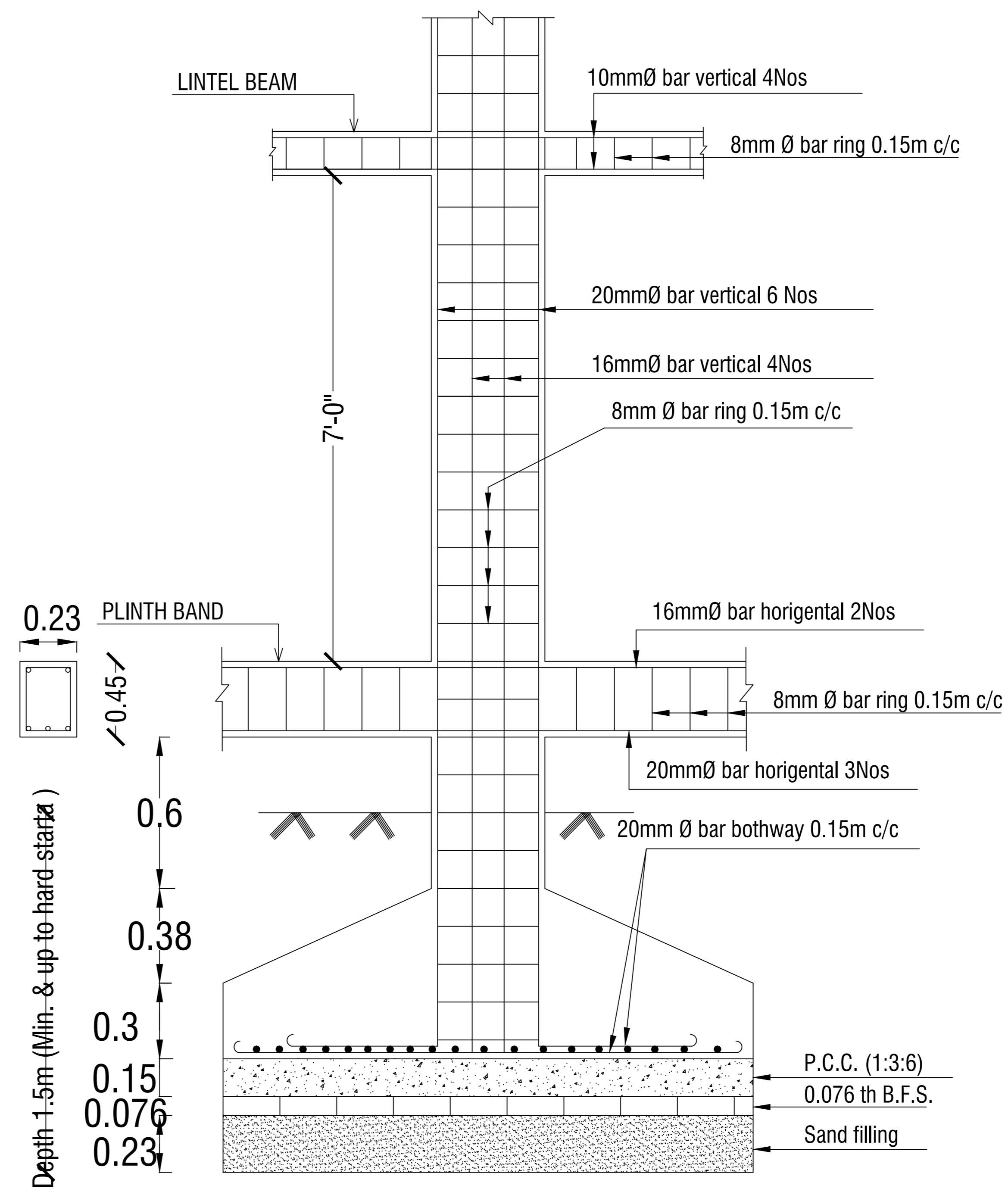


LAYOUT FOOTING PLAN DETAILS

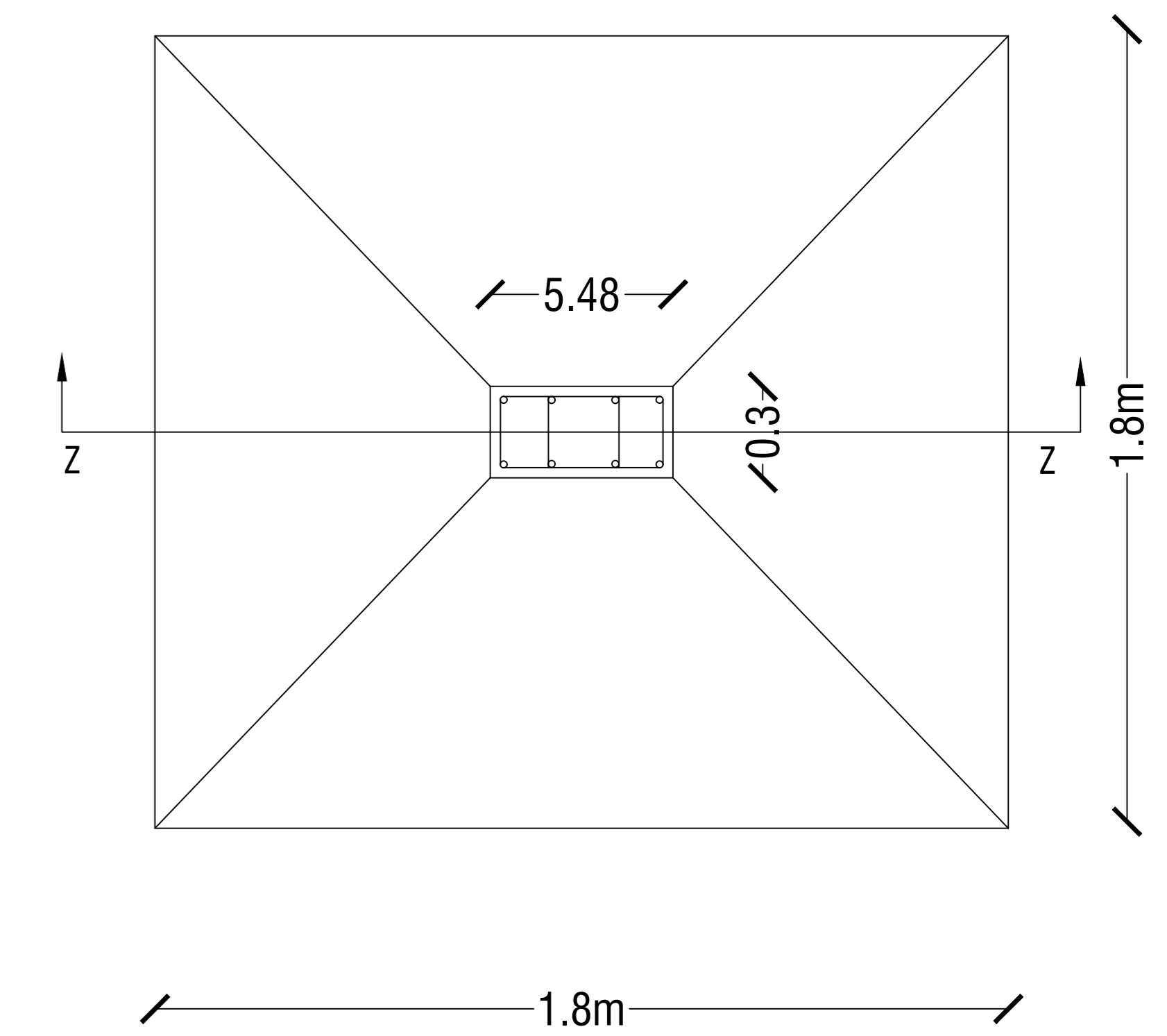


DETAILS OF TYPICAL ROOF BEAM

SCALE - 1" = 2'-0"



SECTION ON-ZZ



PLAN

DETAILS OF TYPICAL COLUMN FOOTING