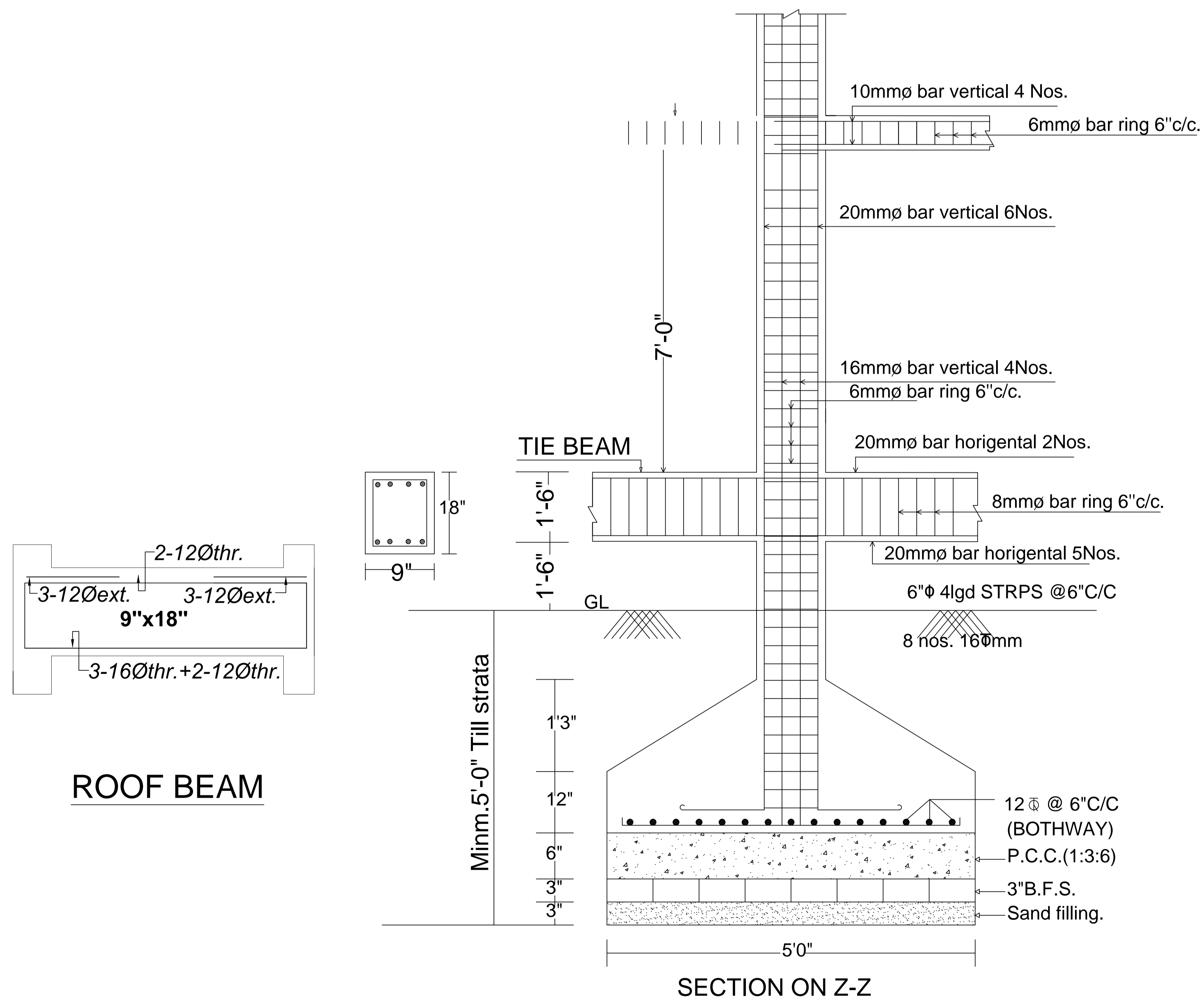
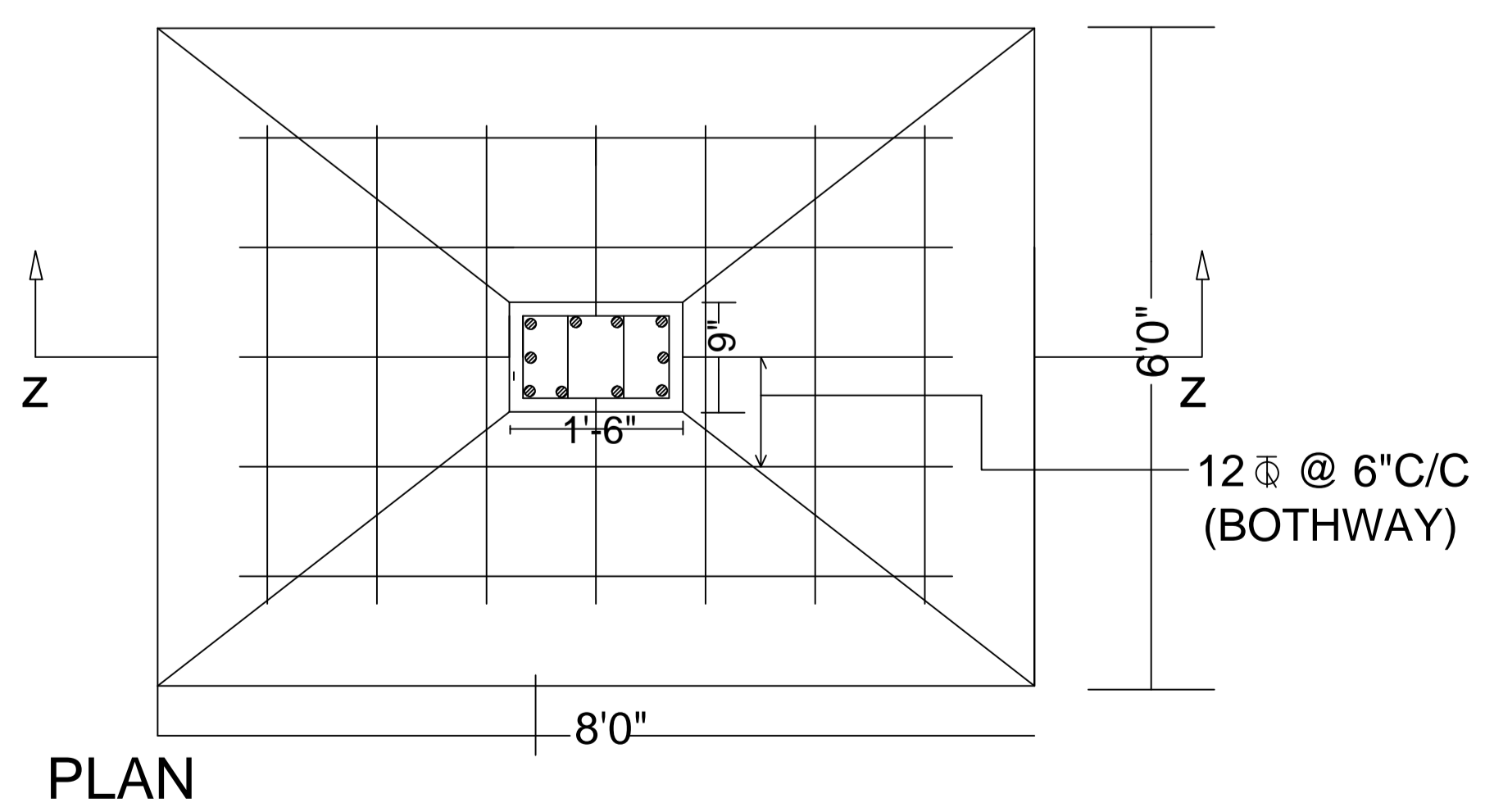


-:DETAIL OF BRICK FOUNDATION:-

SCALE:- 1" = 2' - 0"

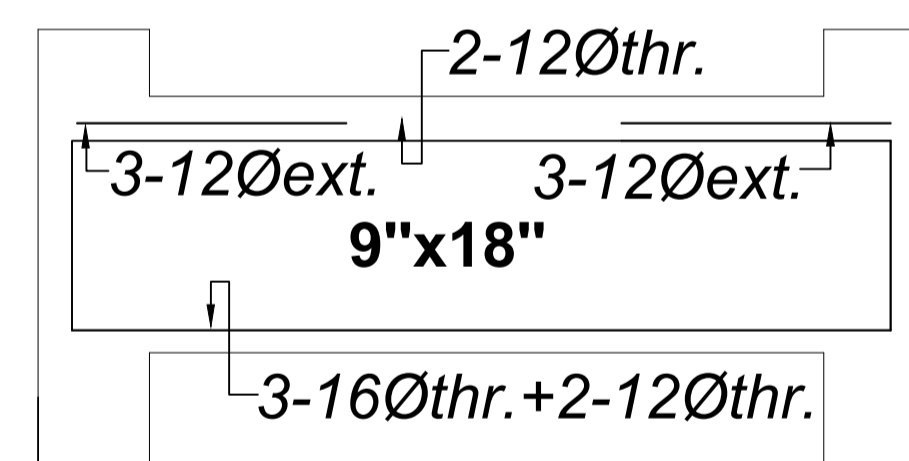


SECTION ON Z-Z



PLAN

DETAIL OF COLUMNS



ROOF BEAM