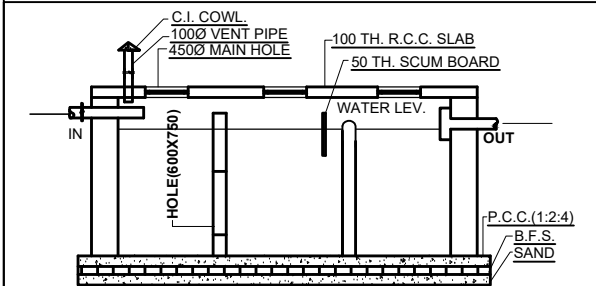


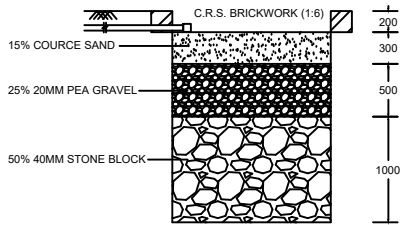
DETAILS OF SEPTIC TANK

Septic Tank Detail

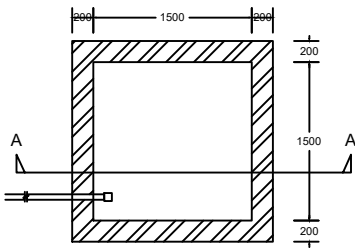


SECTION ON X-Y

Septic Tank Detail

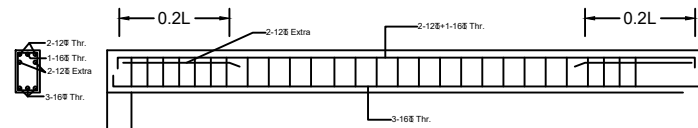


SECTION ON A-A



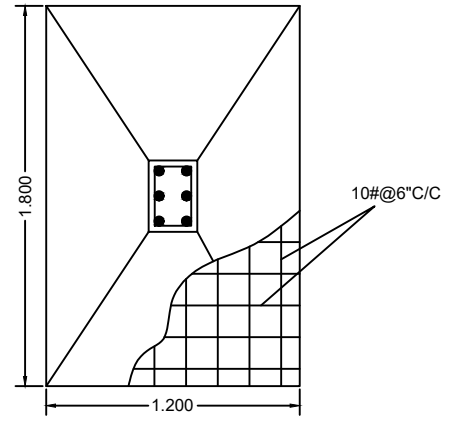
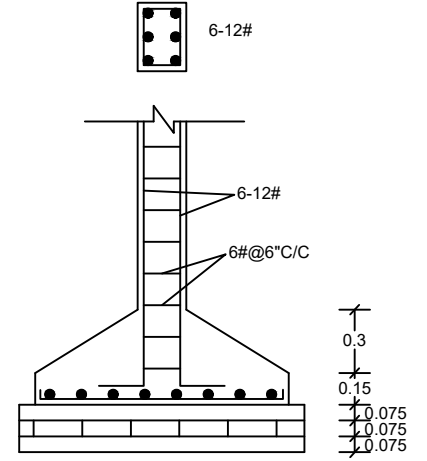
**PLAN OF RECHARGE WELL
(WATER HARVESTING)**

Rain Water Storage Tank Detail



STRUCTURAL DETAILS OF BEAM

Structure Detail



COLUMN DETAILS

SCALE:- 1:50