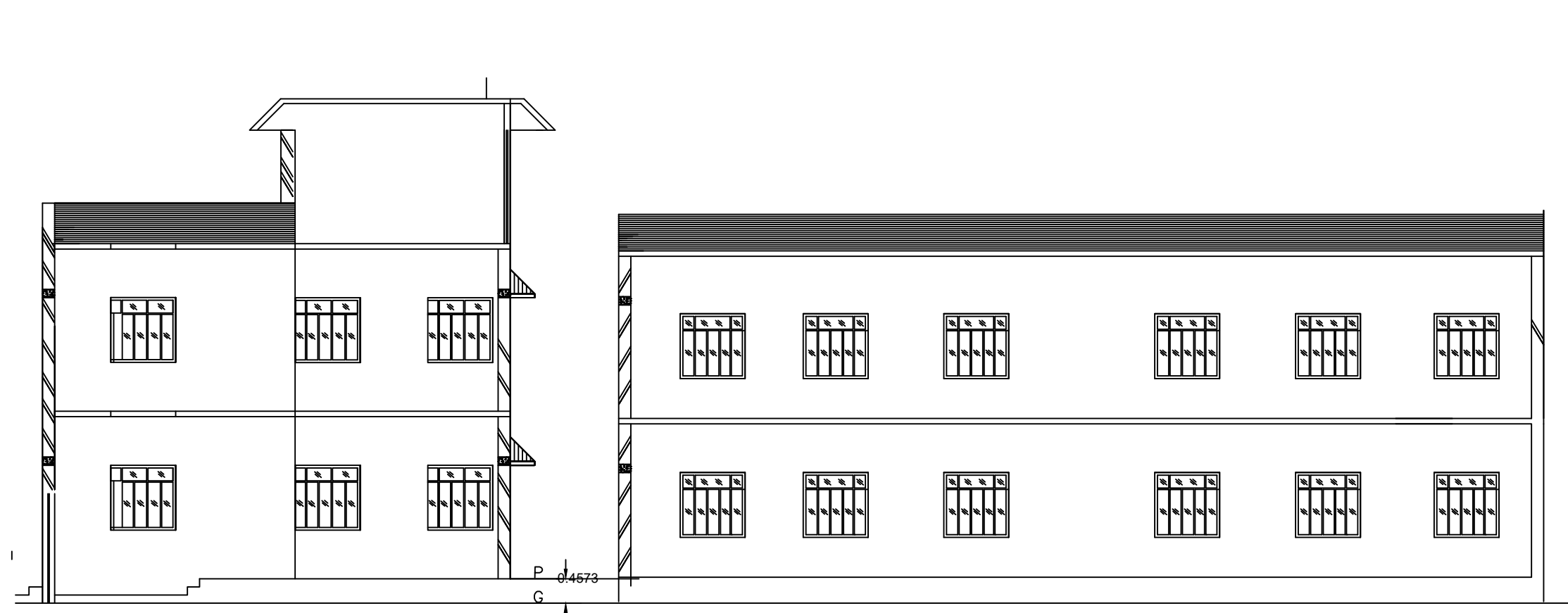


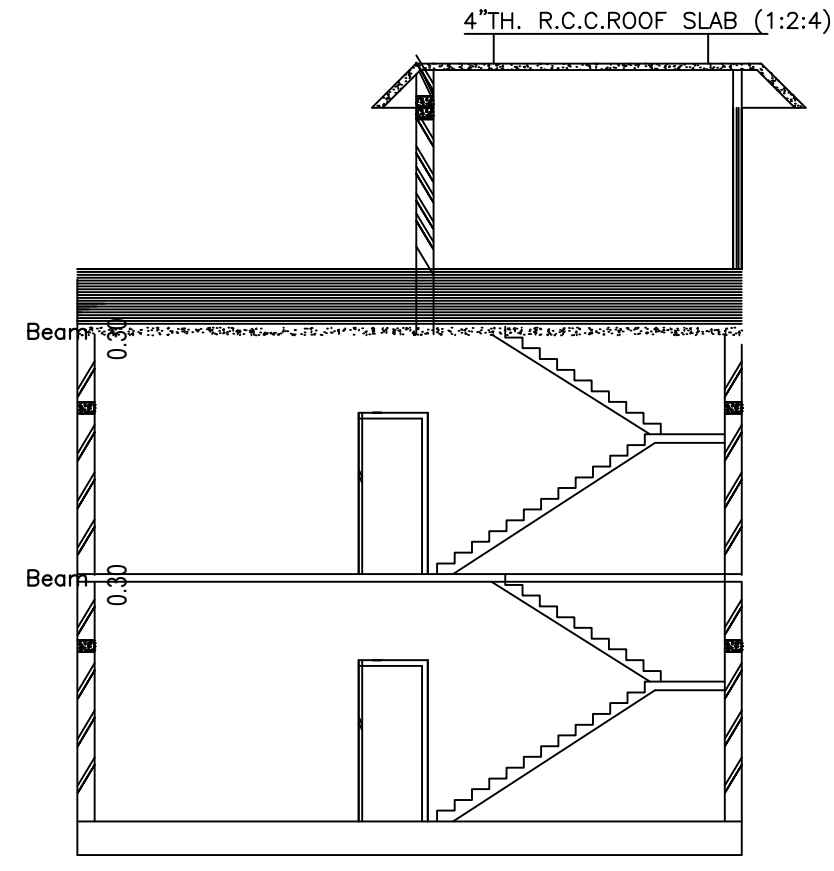
Proposal Basic Information

Proposal File No.	DMC/BP/0262/W18/2019
Owner Name	SRI SHATRUGHAN PRASAD SINGH
Khata No	17, NEW-404
Plot No	465, NEW-517
Village Name	Panarpala
Use	Residential
SubUse	Bungalow/ Dwelling / Non Apartment



ELEVATION 1

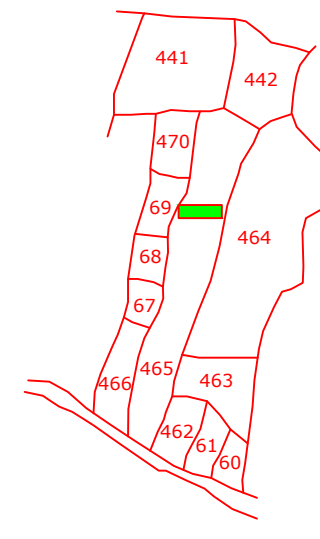
ELEVATIO 2



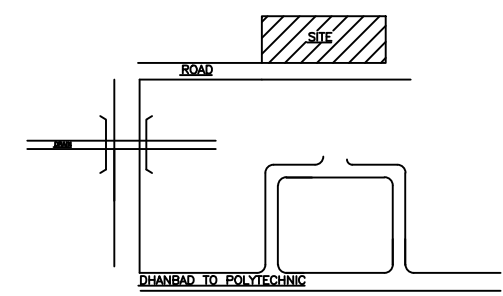
SECTION AT X-X



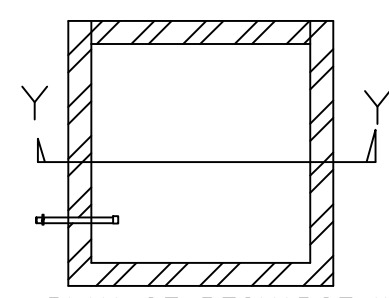
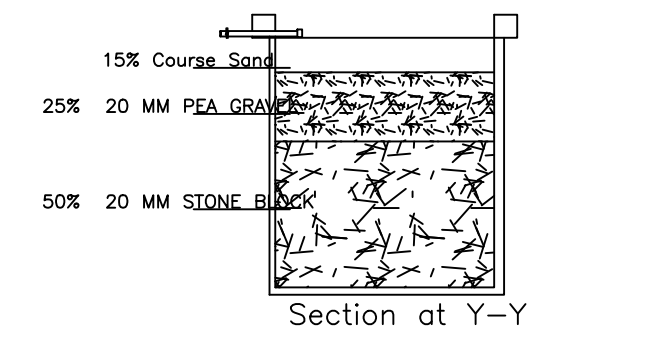
SECTION AT Y-Y



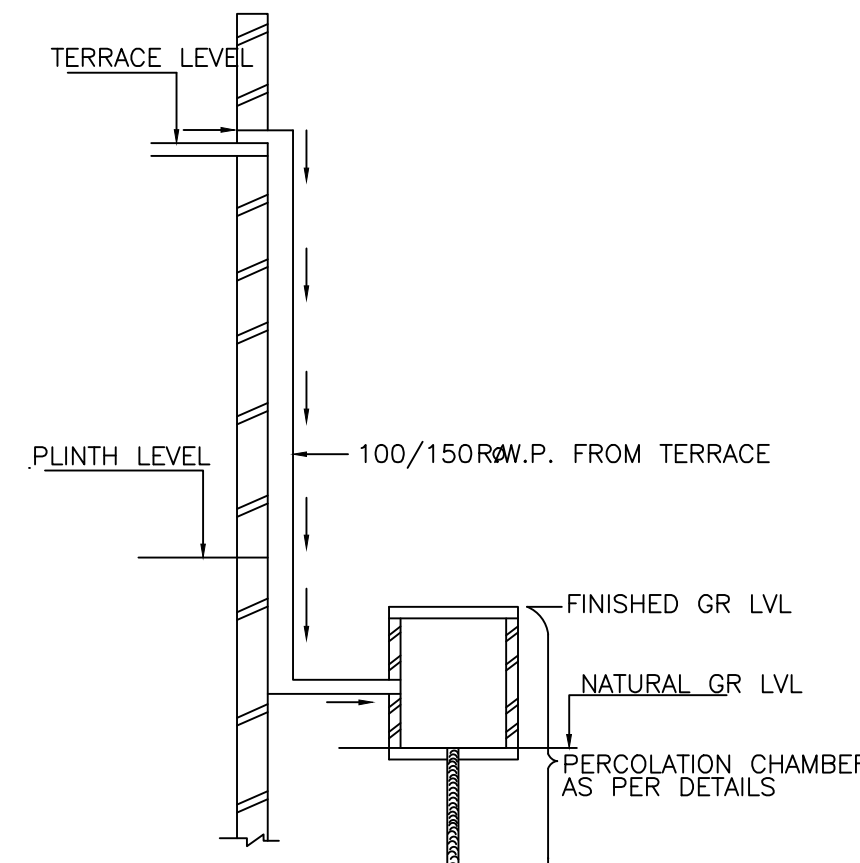
Key Plan



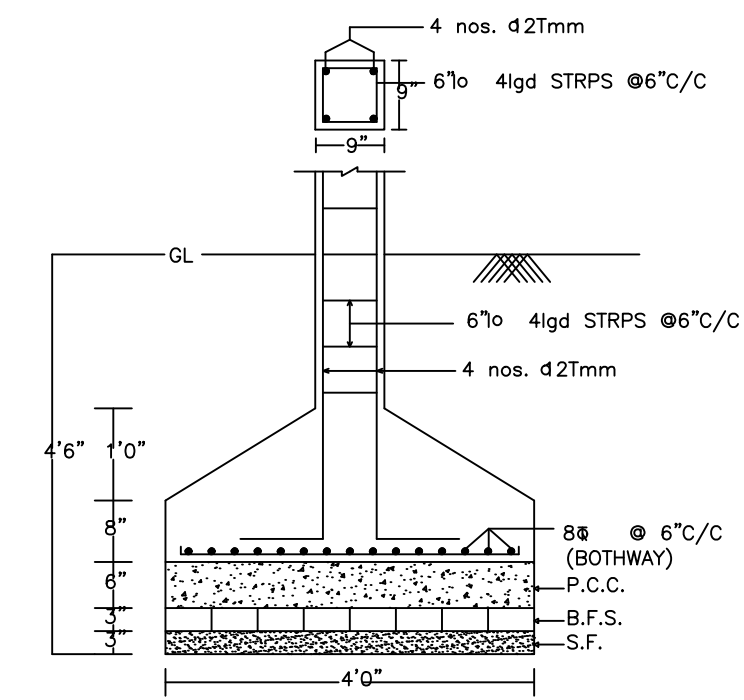
LOCATION- PLAN



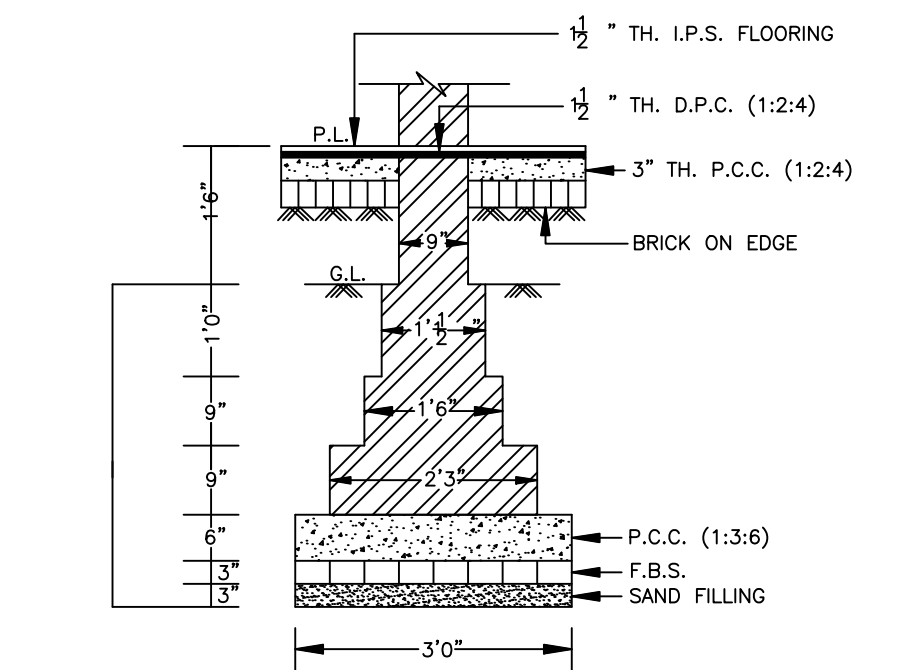
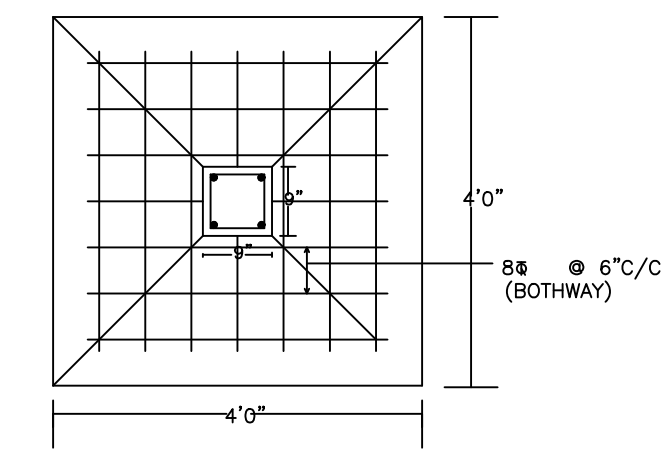
PLAN OF RECHARGE WELL
WATER HARVESTING
Scale 1" = 4' 0"



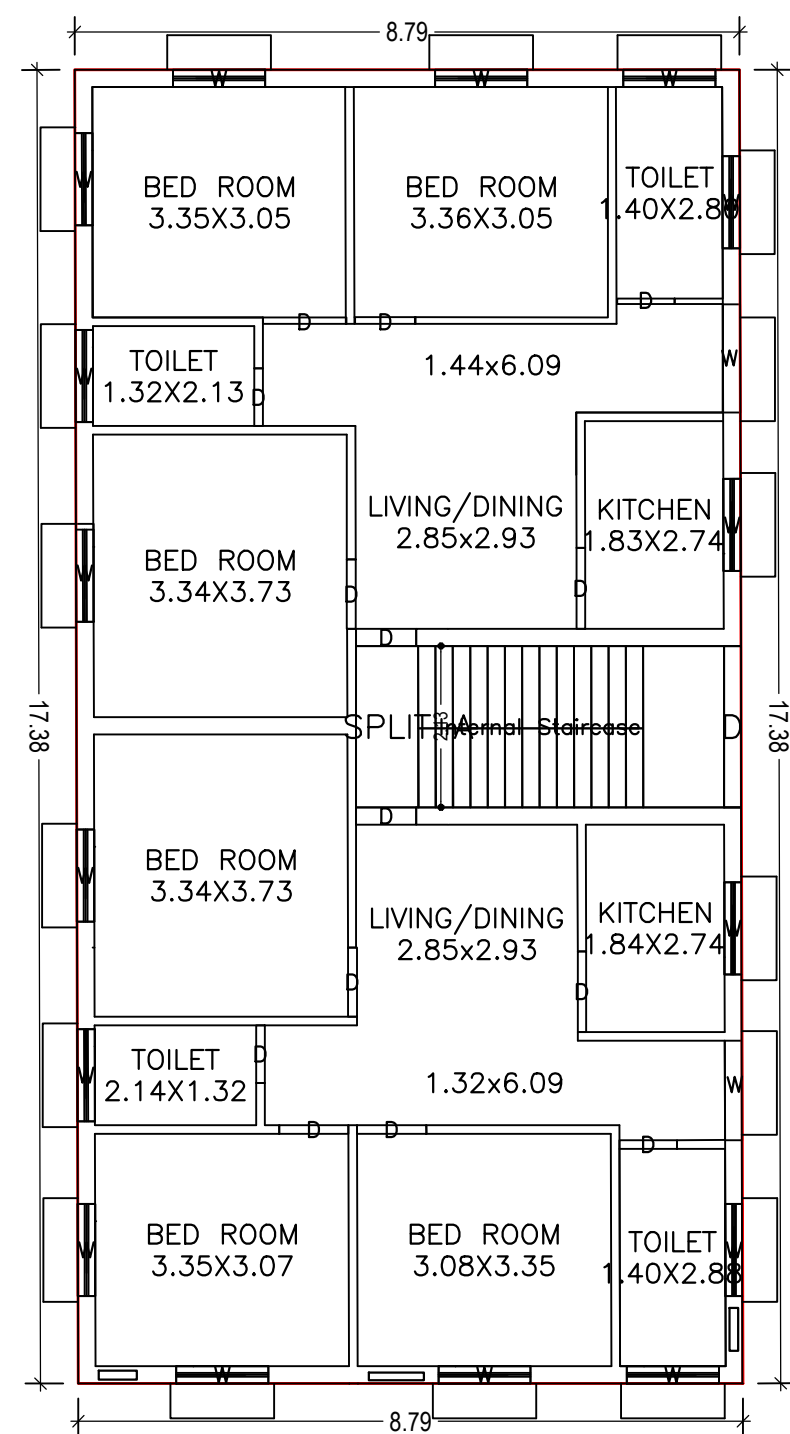
ROOF TOP RAIN WATER
COLLECTION SYSTEM



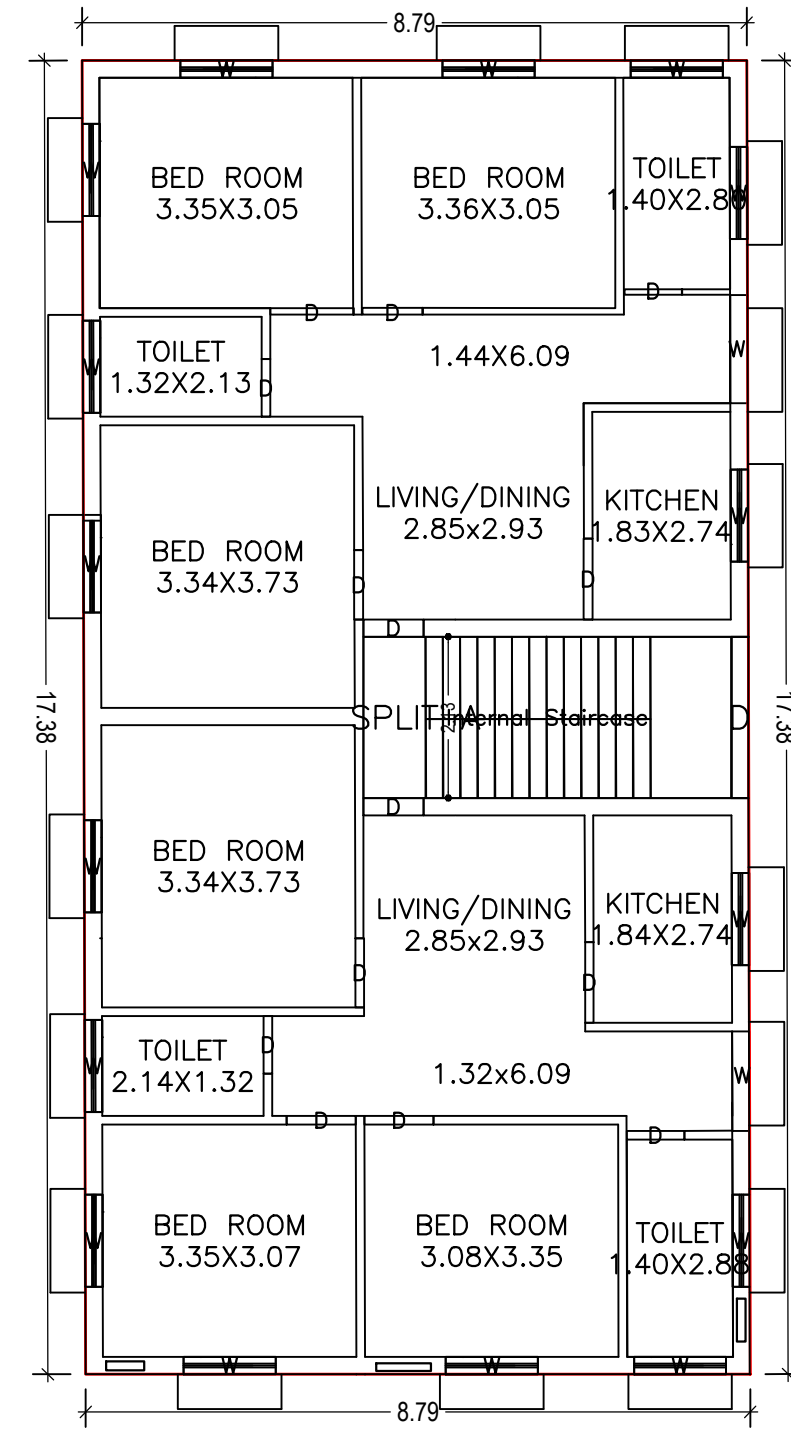
SECTION
DETAIL OF COLUMNS



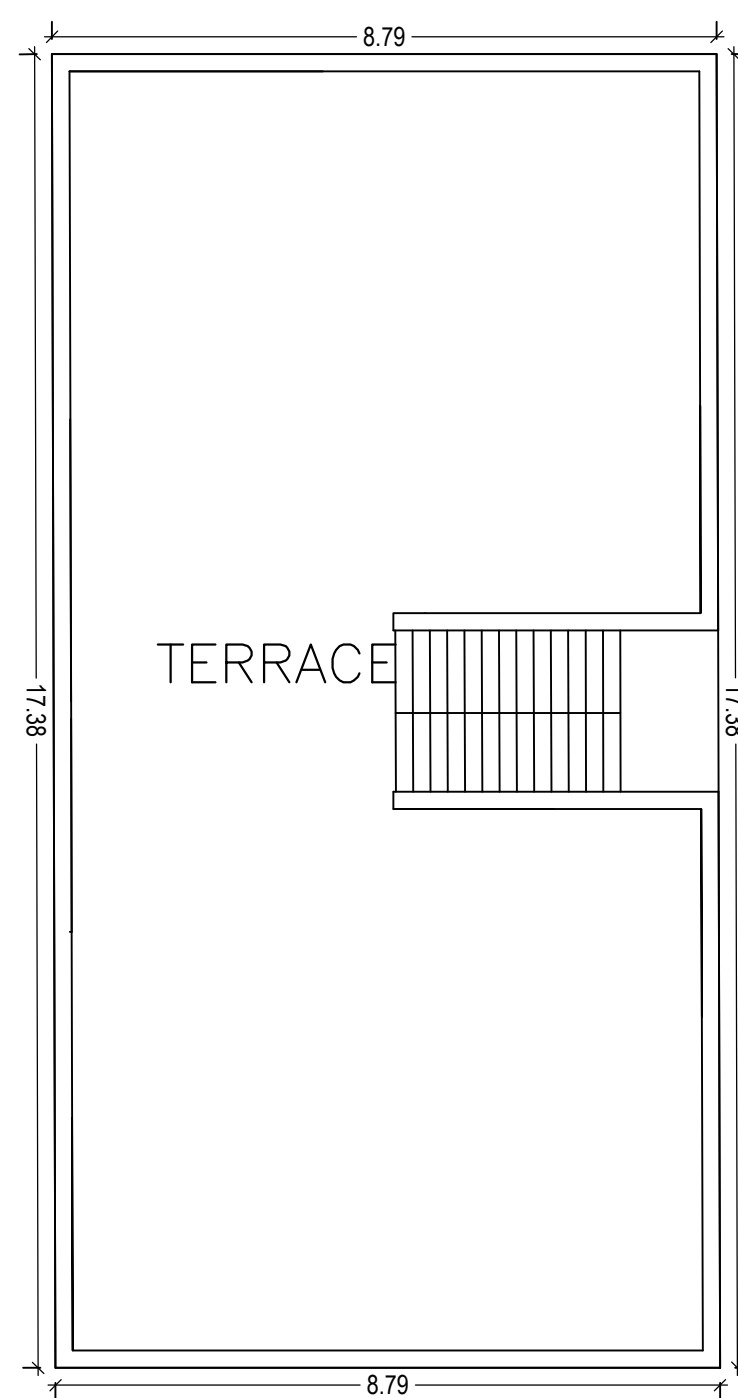
:-:DETAIL OF BRICK FOUNDATION:-
SCALE:- 1" = 2' - 0"



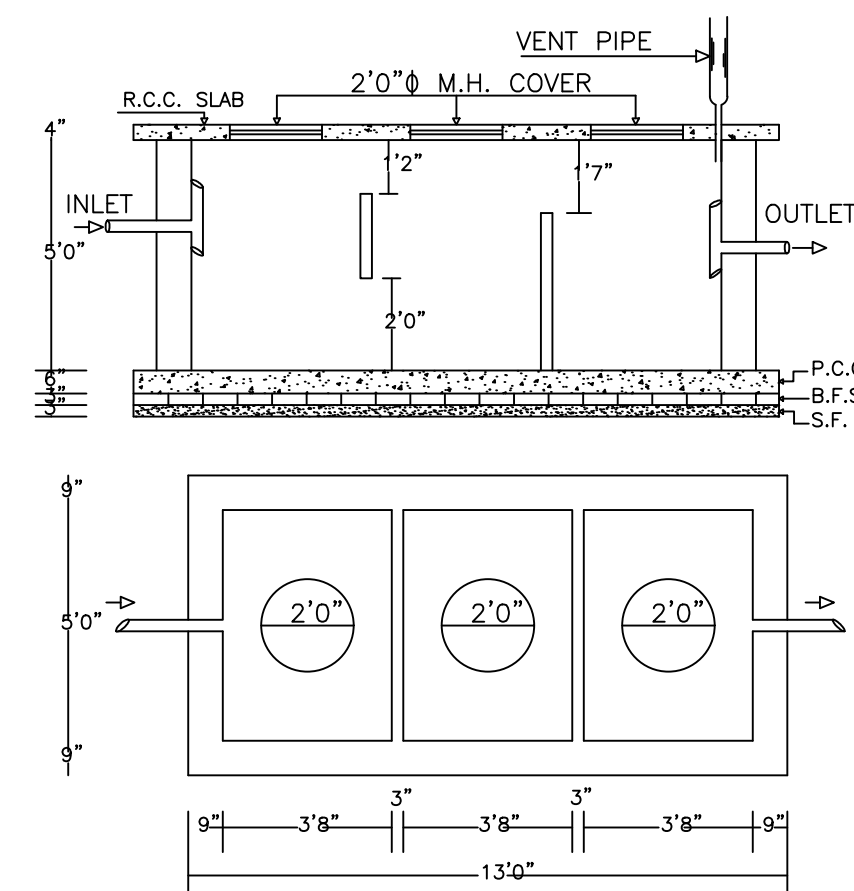
GROUND FLOOR PLAN
(Proposed)
(SCALE 1:100)



FIRST FLOOR PLAN
(Proposed)
(SCALE 1:100)



TERRACE FLOOR PLAN
(SCALE 1:100)



PLAN OF SEPTIC TANK

LTP NAME AND SIGNATURE	STRUCTURAL ENG'S NAME AND SIGNATURE	BUILDER NAME AND SIGNATURE	DIGITAL SIGNATURE
RAJEEV RANJAN SINGH DMC/ENG/0032/2017			