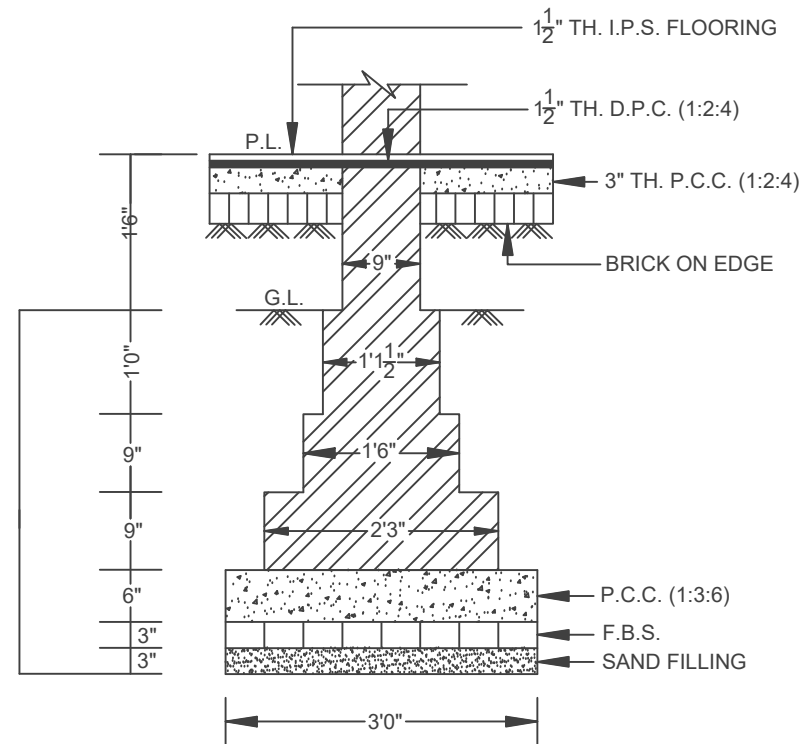
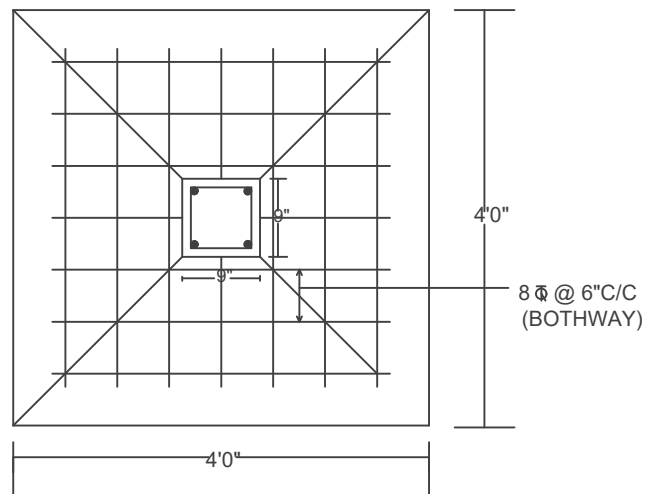


SECTION

DETAIL OF COLUMNS



-:DETAIL OF BRICK FOUNDATION:-

SCALE:- 1" = 2' - 0"