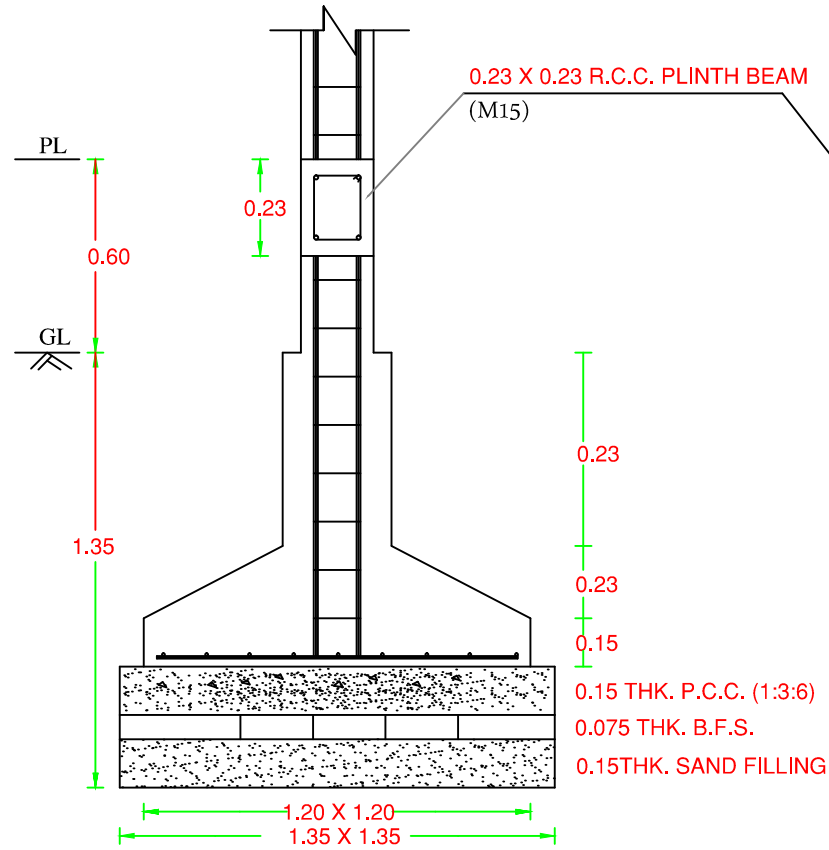
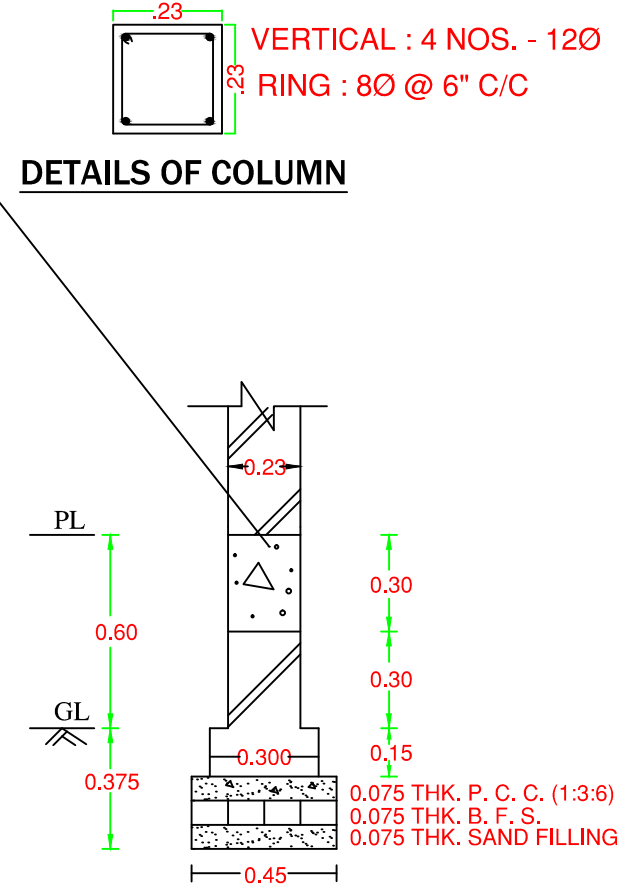


FOUNDATION PLAN



FOUNDATION DETAILS OF COLUMN



FOUNDATION DETAILS OF WALL