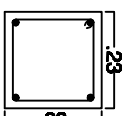
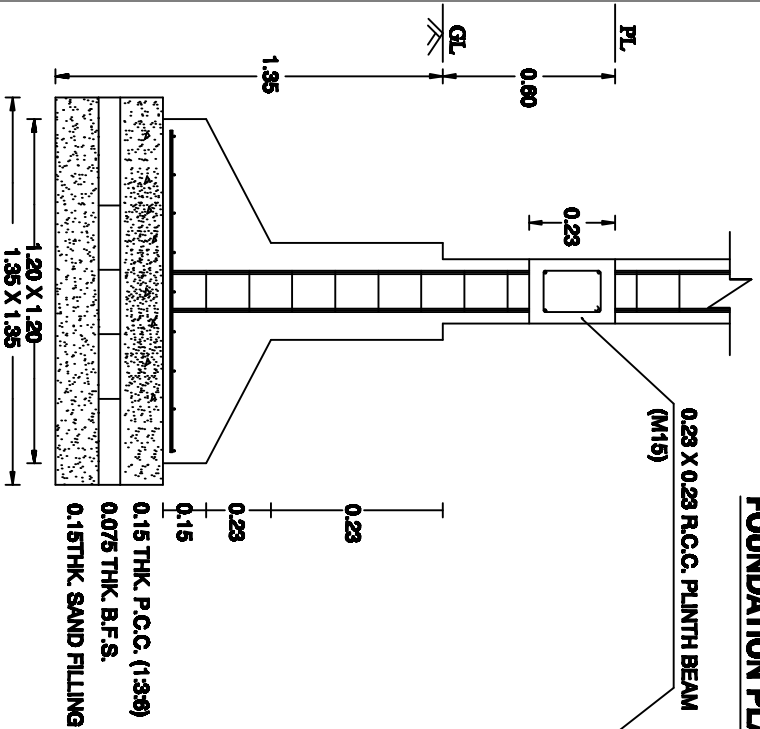


FOUNDATION PLAN

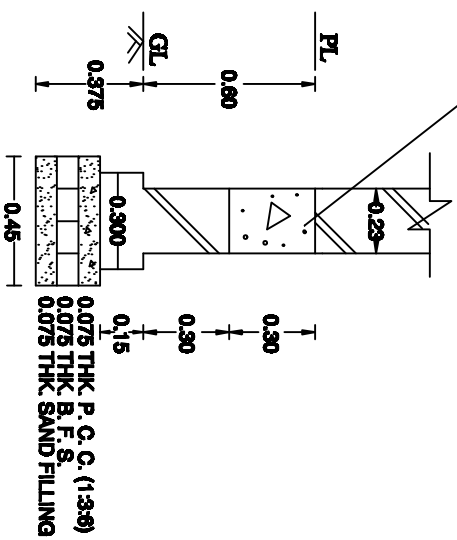


VERTICAL : 4 NOS. - 120
RING : 80 @ 6" C/C

DETAILS OF COLUMN



FOUNDATION DETAILS OF COLUMN



FOUNDATION DETAILS OF WALL