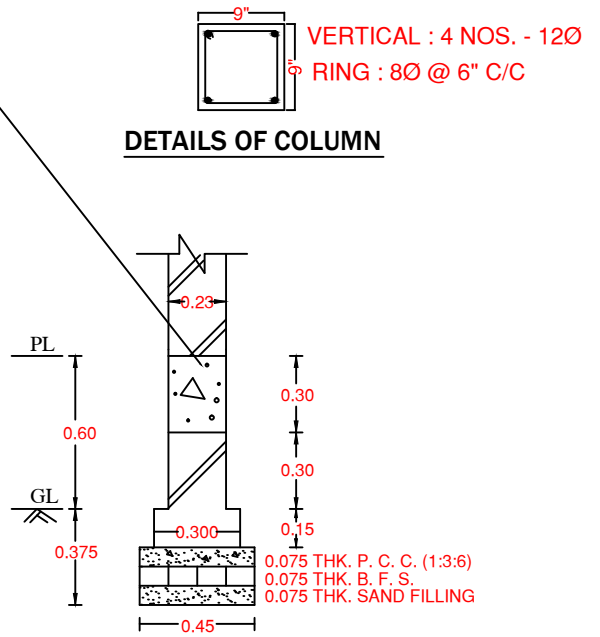
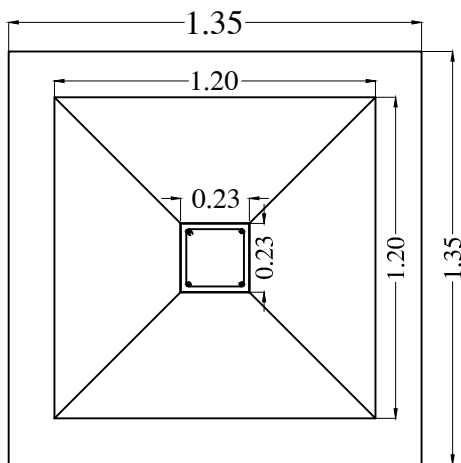


**FOUNDATION DETAILS OF COLUMN**



**FOUNDATION DETAILS OF WALL**



**FOUNDATION PLAN**

Structure Detail