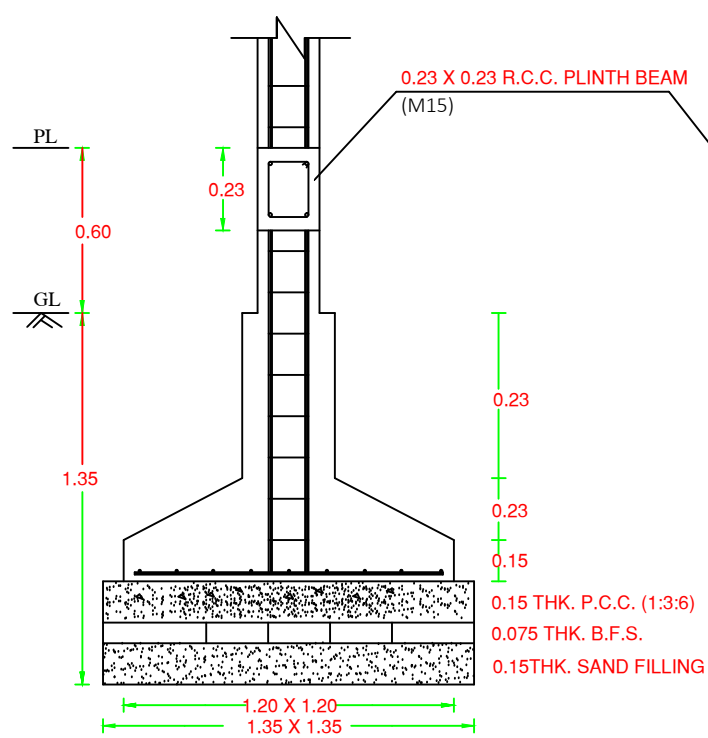
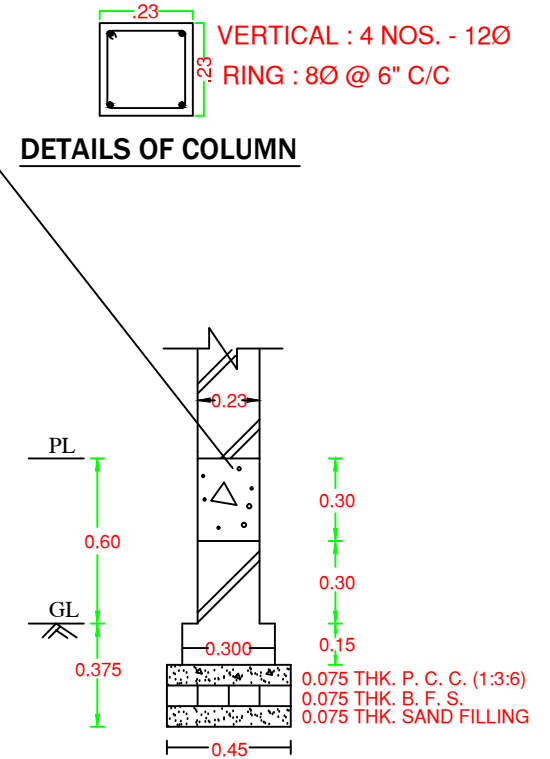


**FOUNDATION PLAN**  
FOUNDATION PLAN



**FOUNDATION DETAILS OF COLUMN**



**FOUNDATION DETAILS OF WALL**