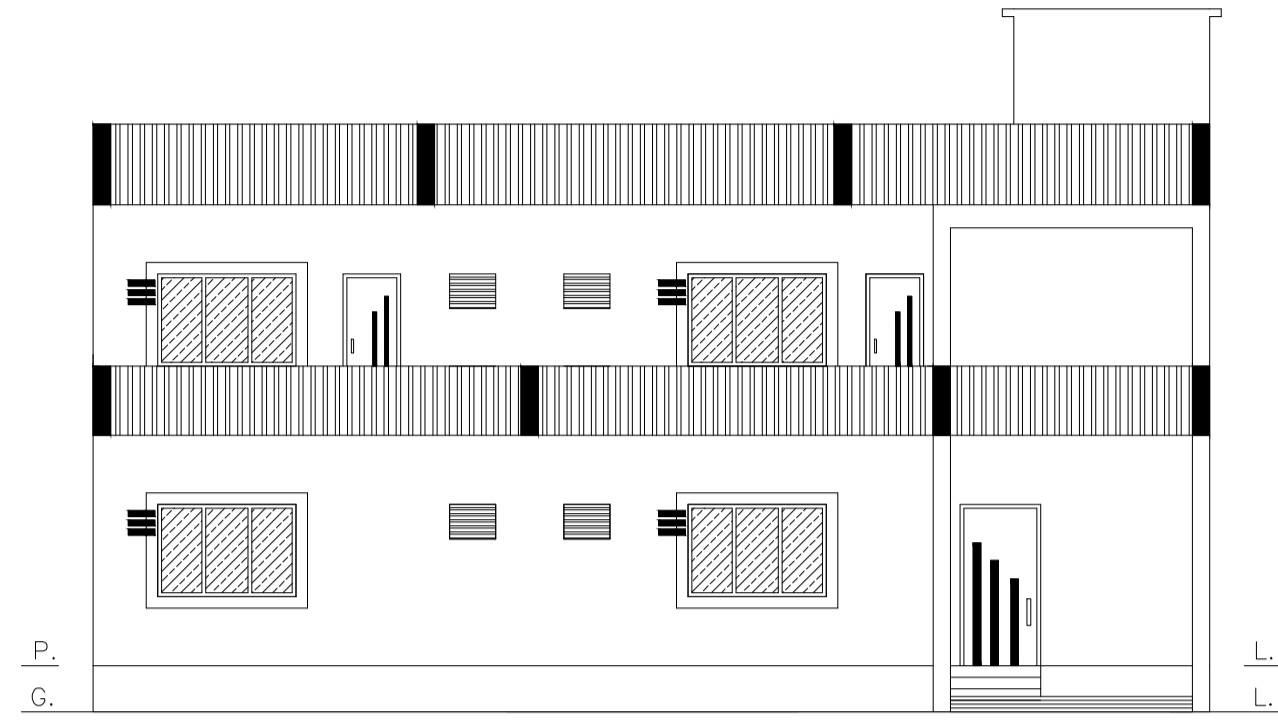
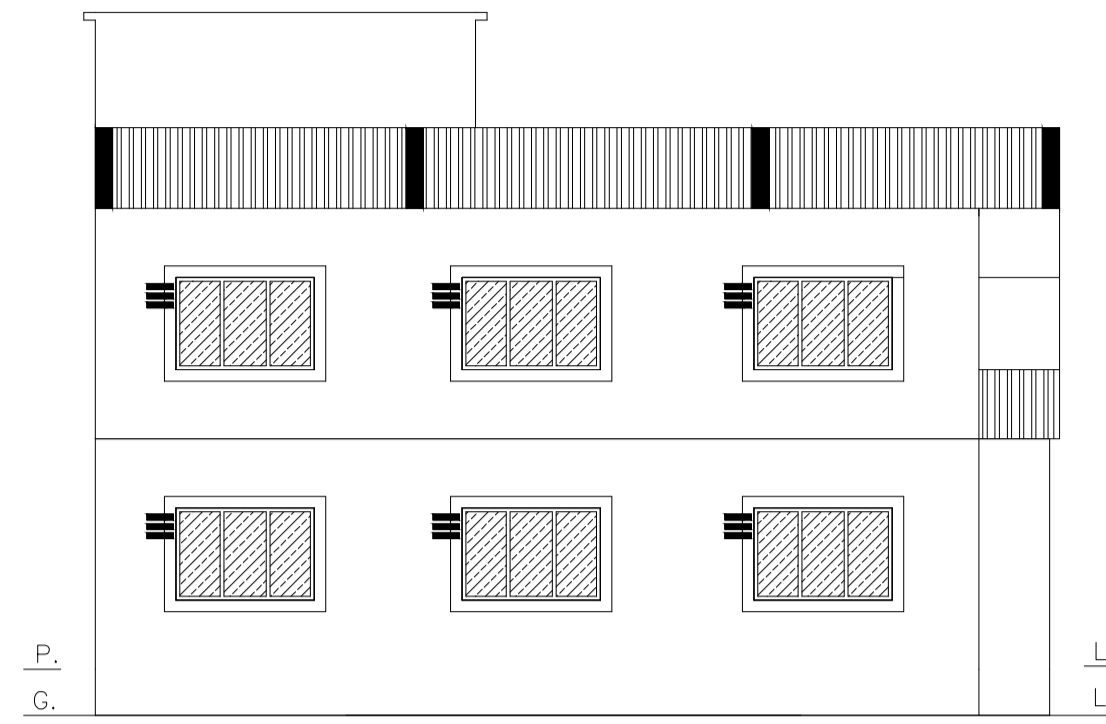


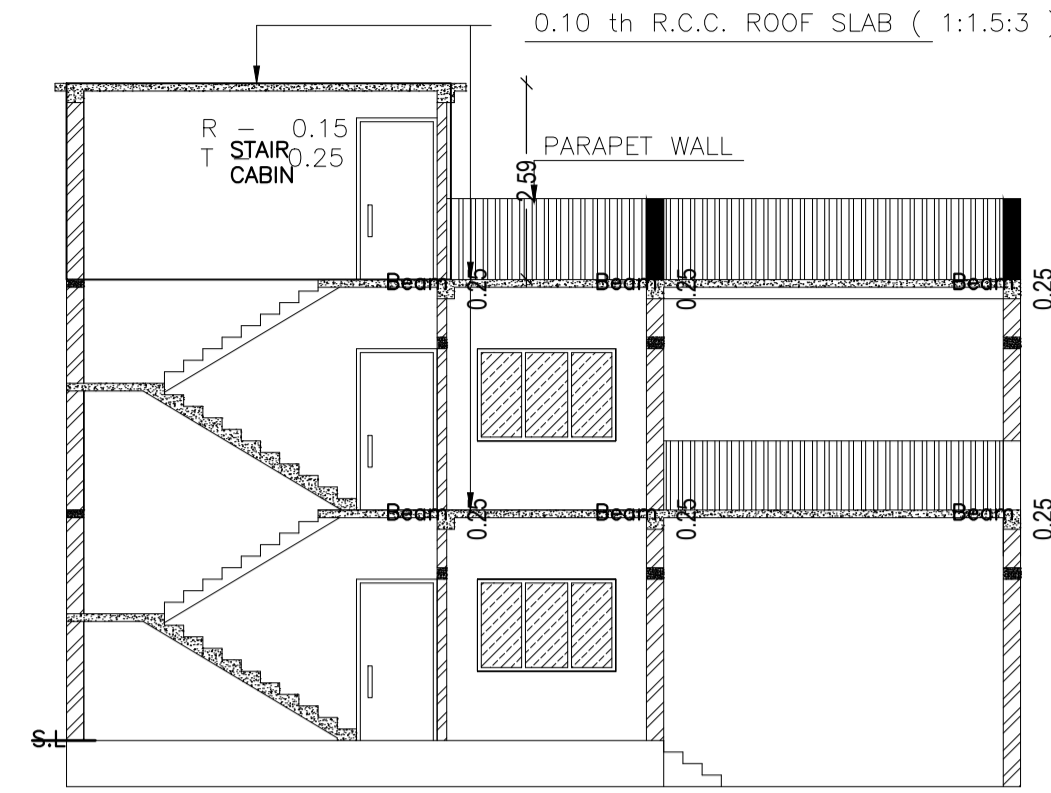
Proposal Basic Information	
Proposal File No.	DMC/BP/0068/W17/2019
Owner Name	ZAKRA ANJUM
Khata No	87 , NEW - 721
Plot No	3870 , 3871 , NEW - 2658 , 3081
Village Name	Bhuli
Use	Residential
SubUse	Bungalow/ Dwelling / Non Apartment



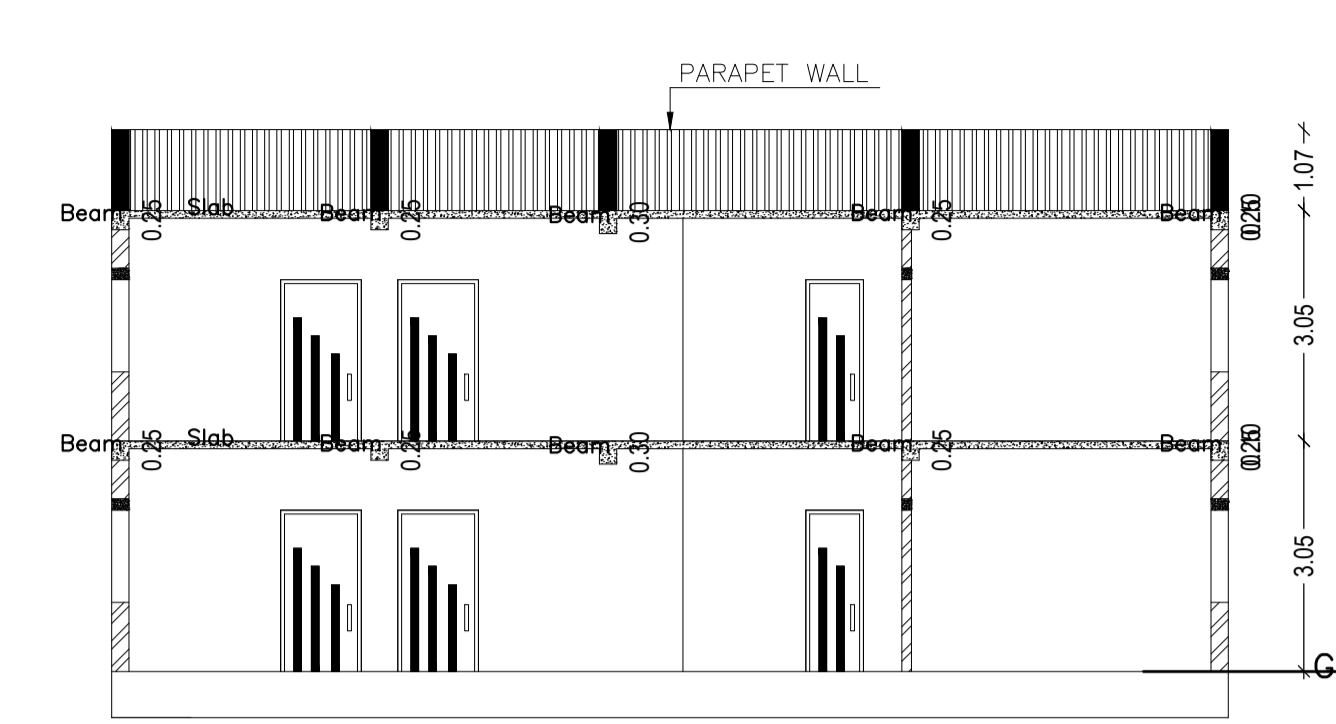
FRONT ELEVATION



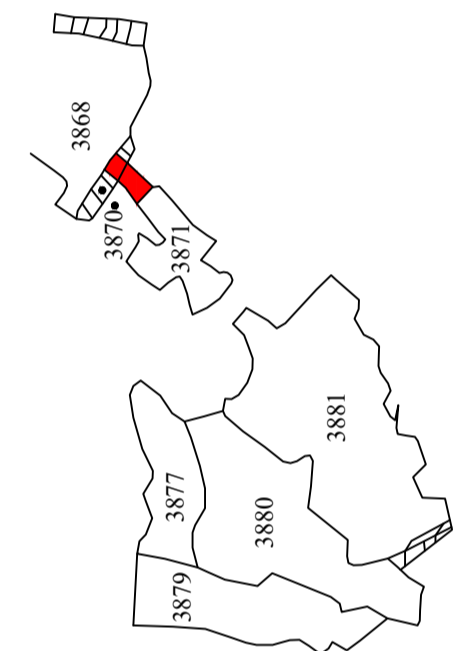
LEFT SIDE ELEVATION



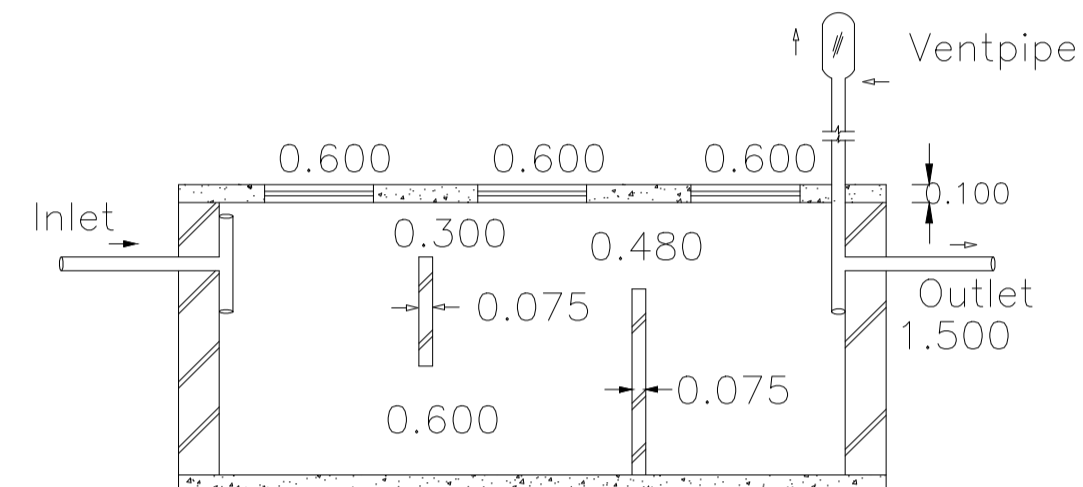
SECTION ON - Y Y



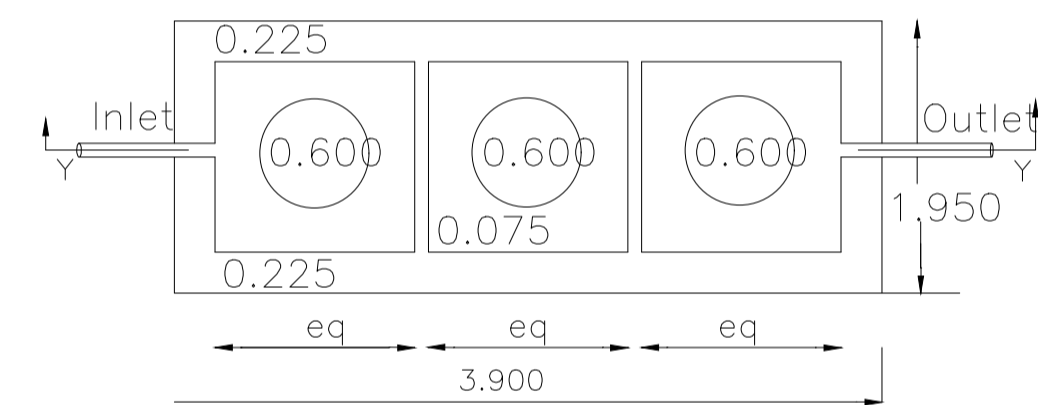
SECTION ON - X X



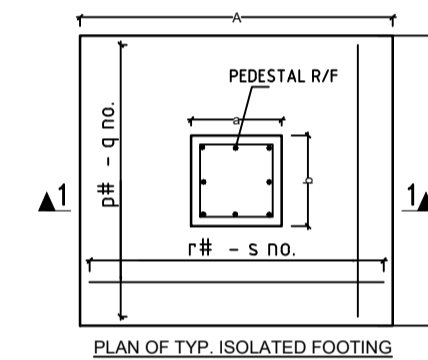
KEY PLAN



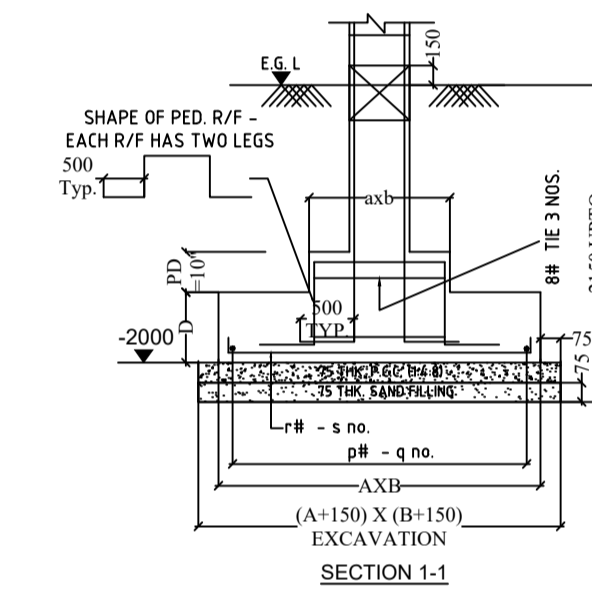
SECTION ON - YY



DETAILS OF SEPTIC TANK

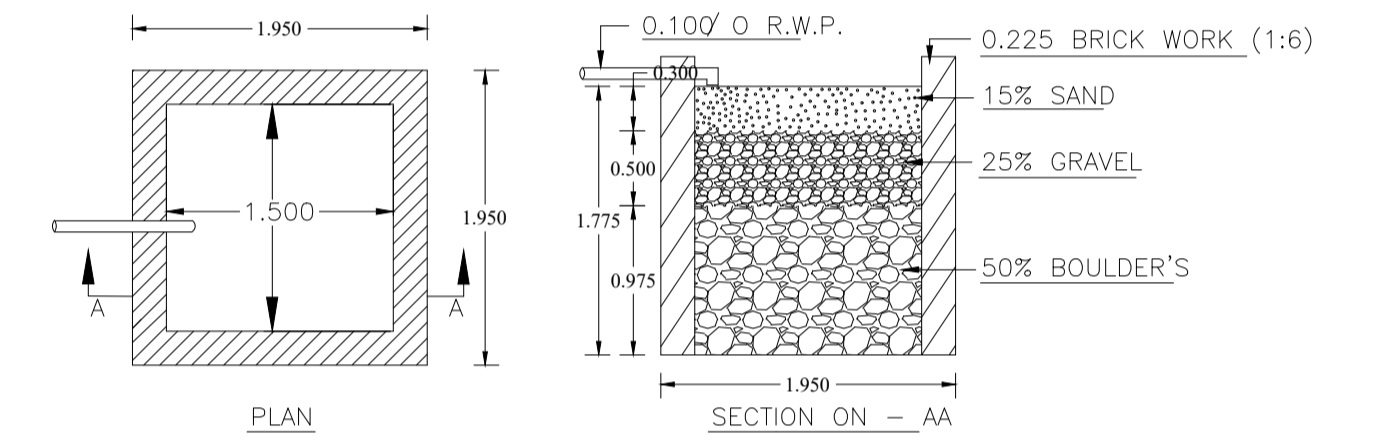


PLAN OF TYP. ISOLATED FOOTING

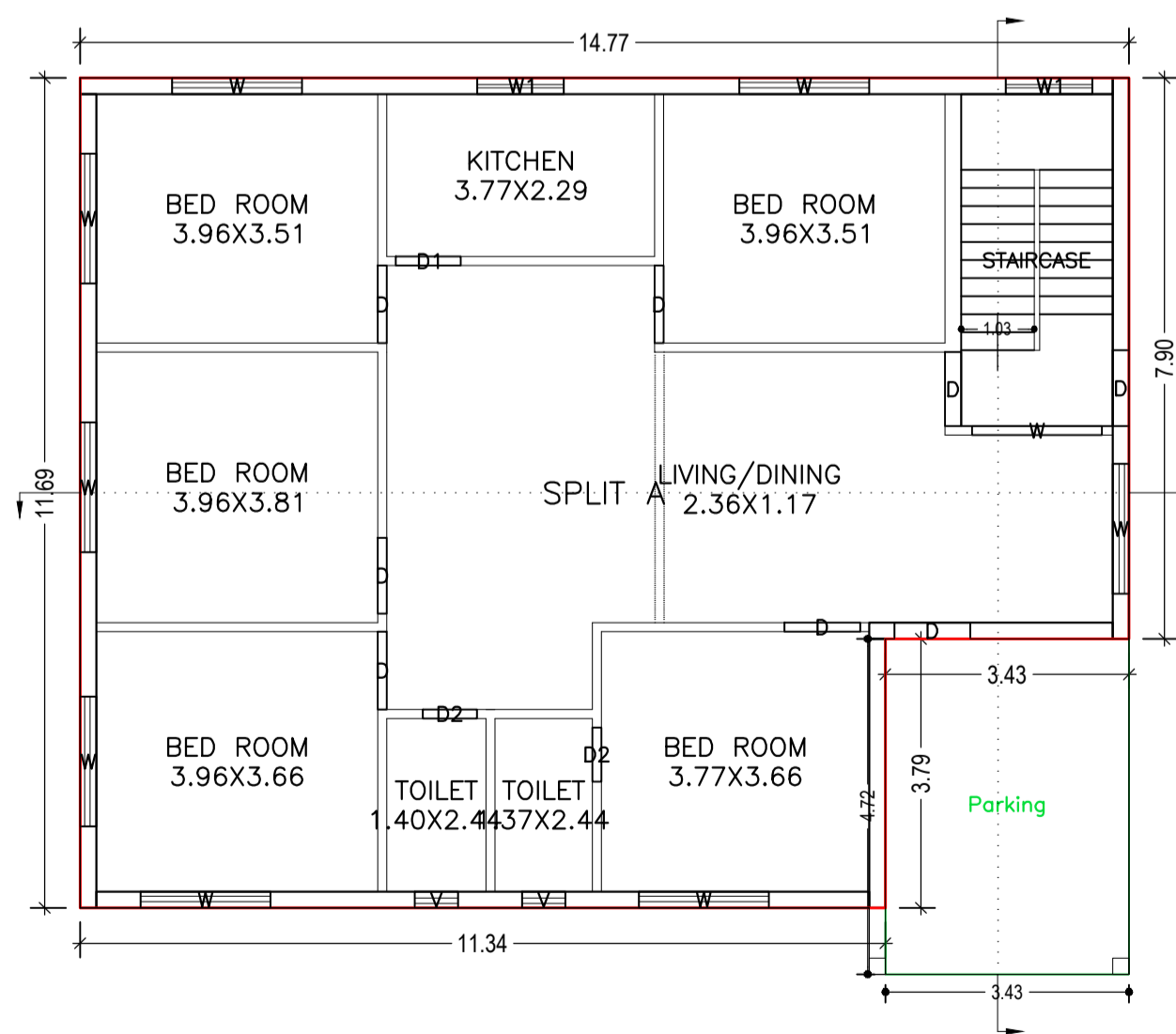


SECTION 1-1

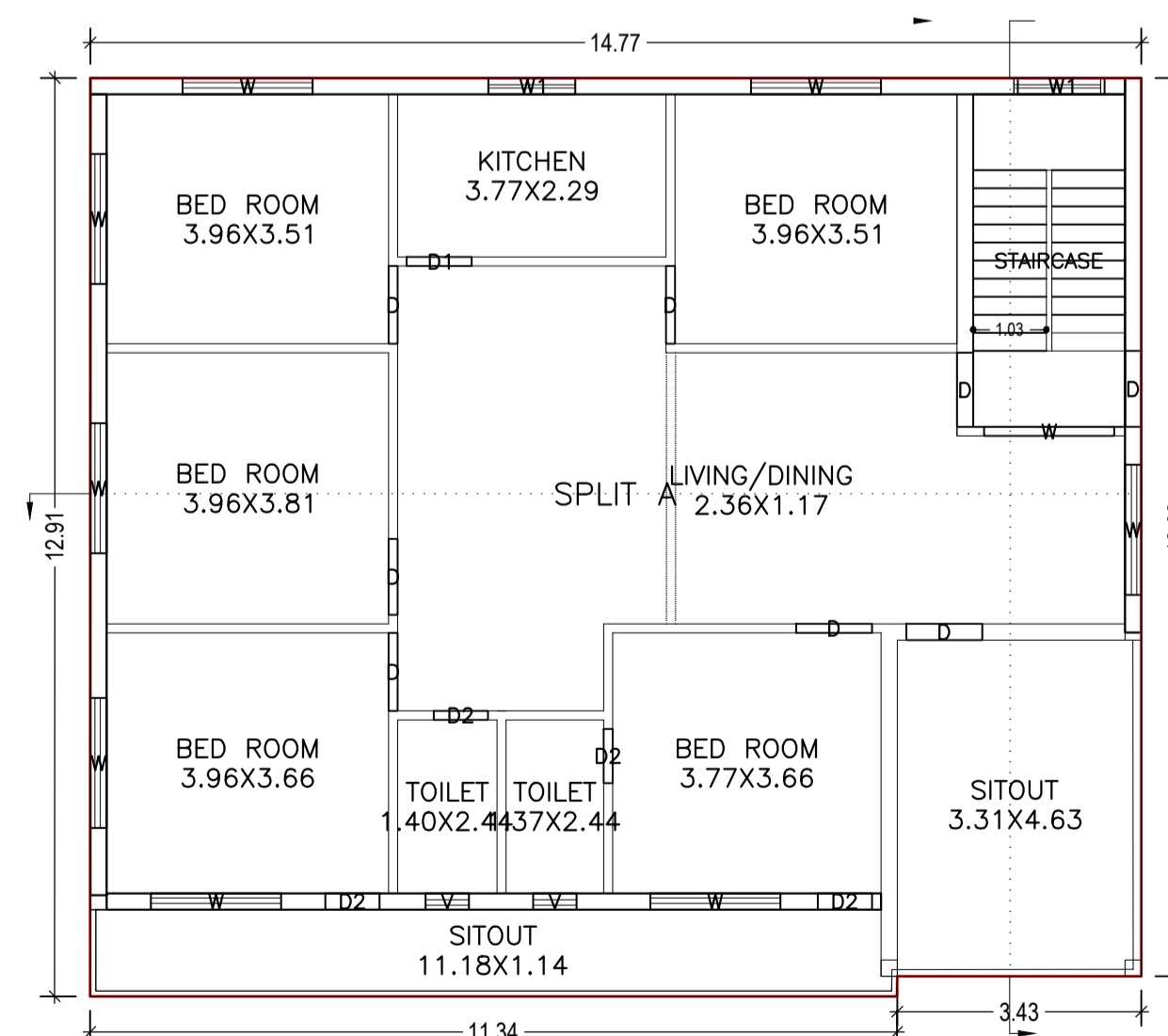
DETAILS OF COLUMN FOOTING



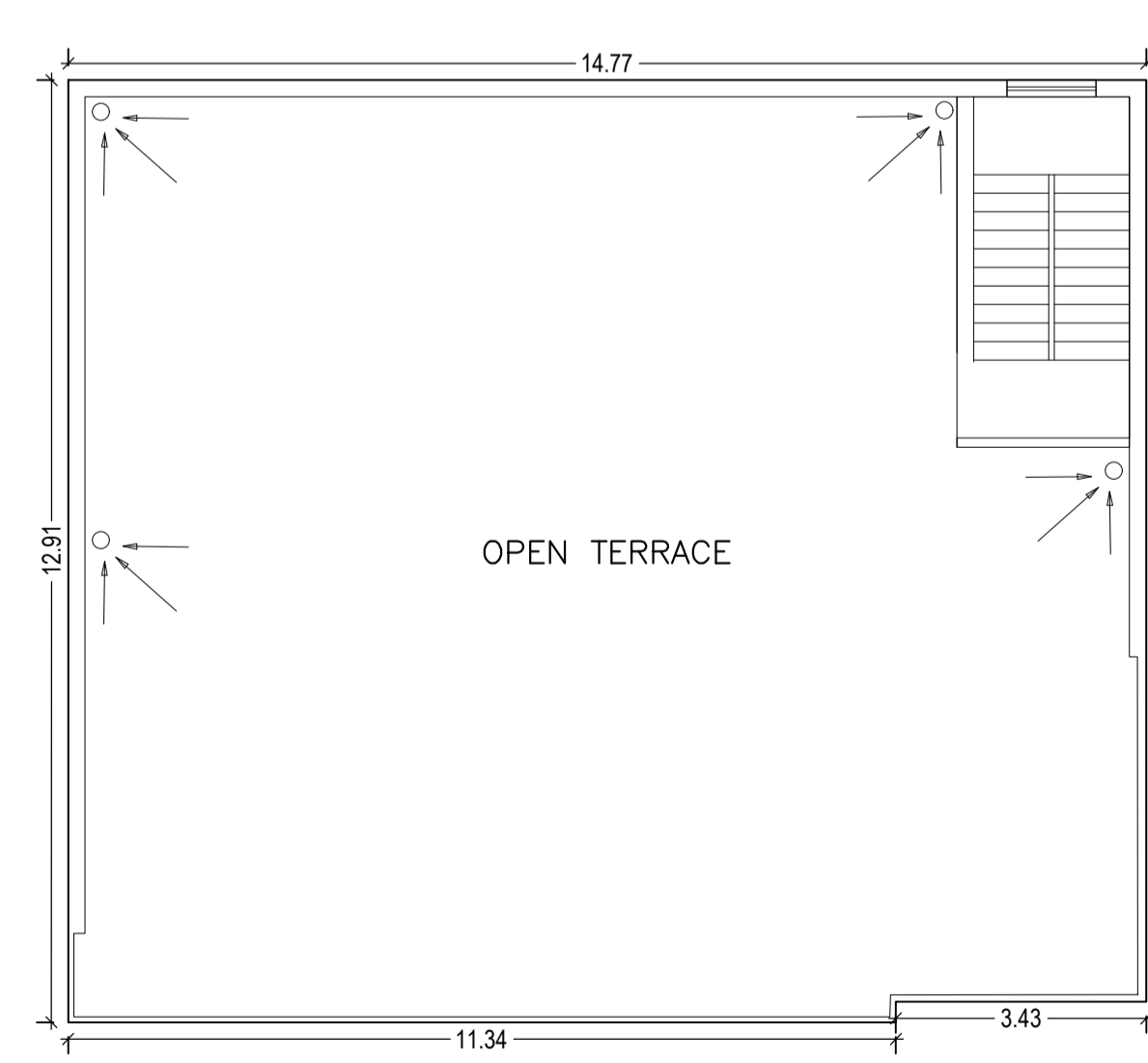
DETAILS OF WATER HARVESTING
SCALE = 1: 2



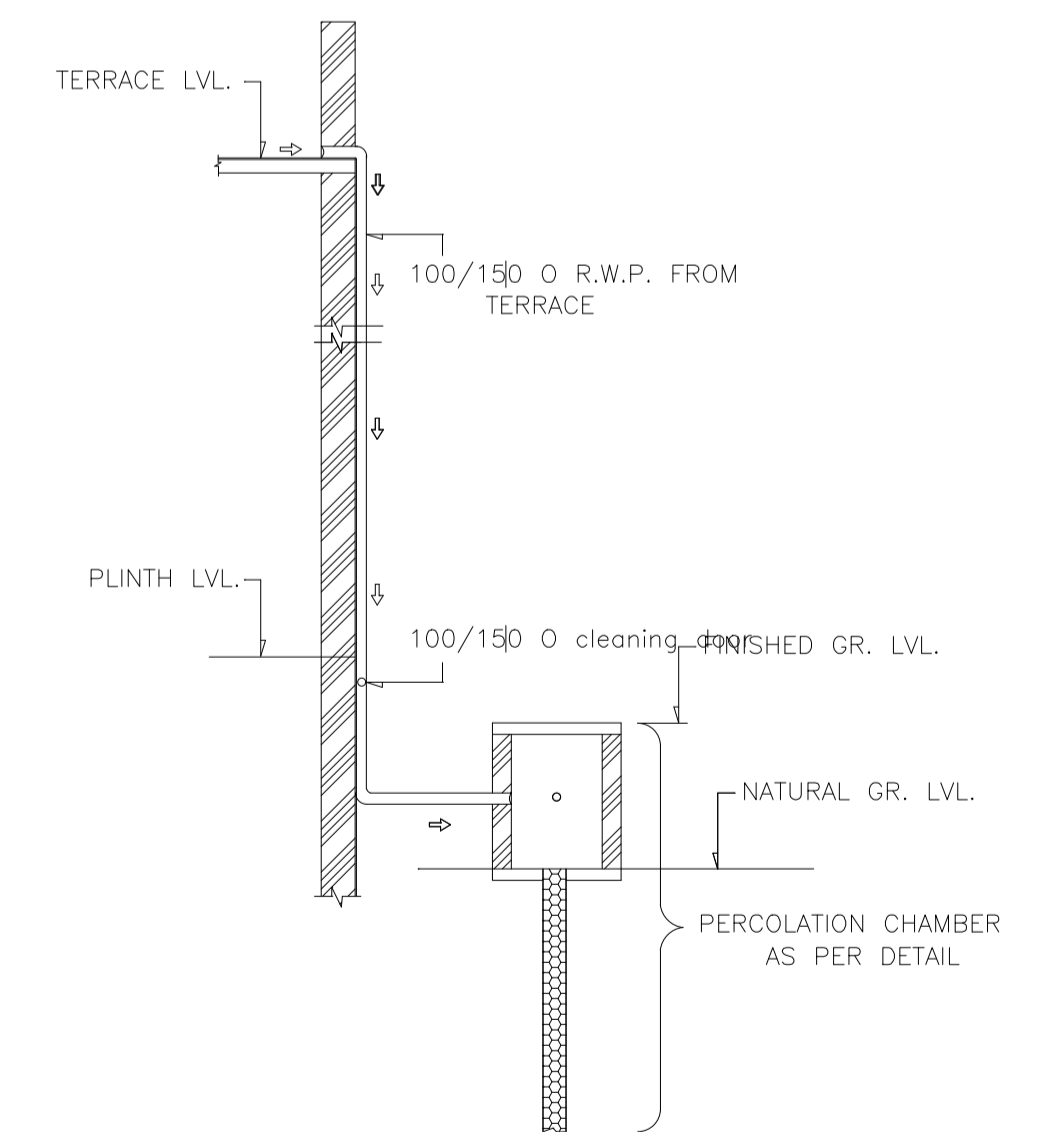
GROUND FLOOR PLAN
(Proposed)
(SCALE 1:100)



FIRST FLOOR PLAN
(Proposed)
(SCALE 1:100)



TERRACE FLOOR PLAN
(SCALE 1:100)



ROOF TOP RAIN WATER COLLECTION SYSTEM
SCALE = 1: 2

LTP NAME AND SIGNATURE	STRUCTURAL ENG'S NAME AND SIGNATURE	BUILDER NAME AND SIGNATURE	DIGITAL SIGNATURE
UMESH CHANDRA SINGH DMC/DFTMN/0001/2017			