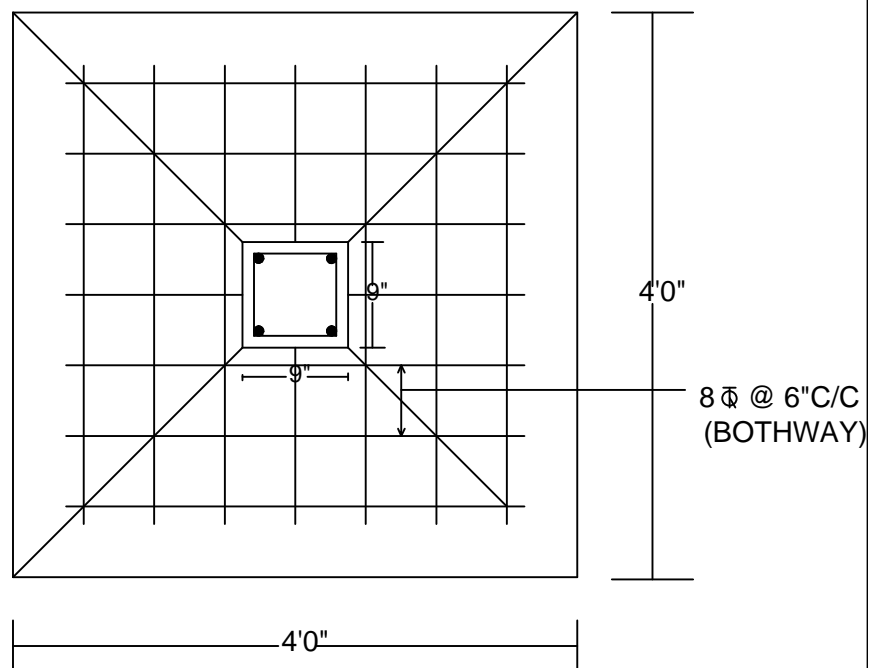


SECTION

# DETAIL OF COLUMNS



PLAN