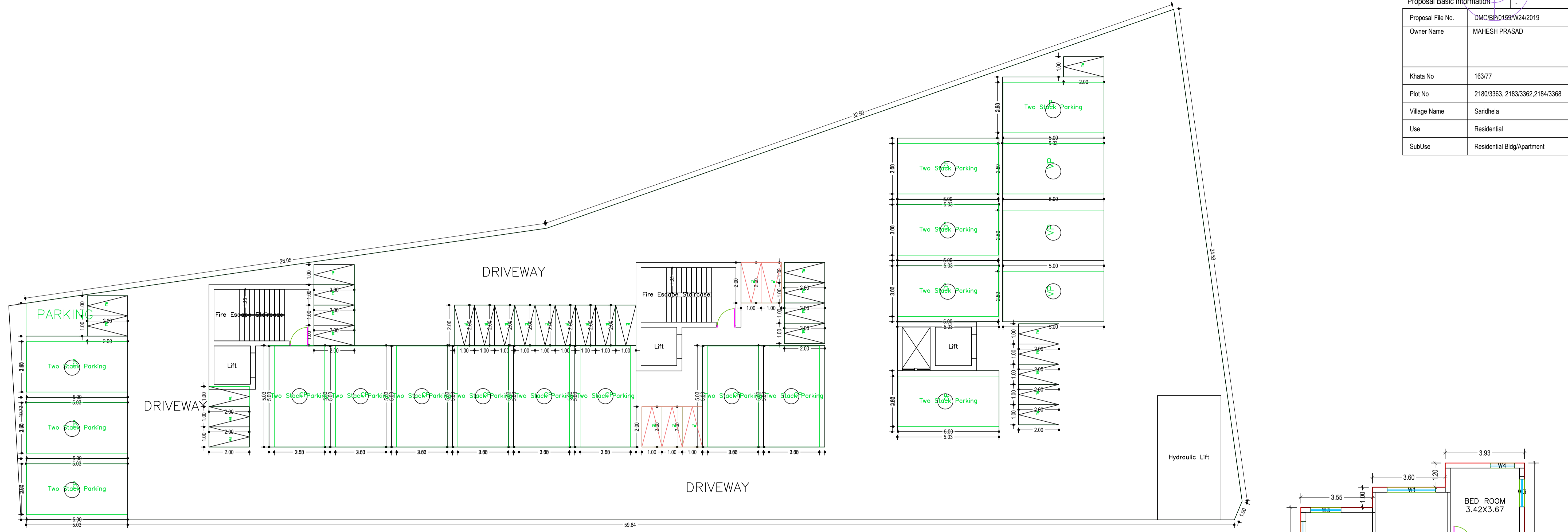
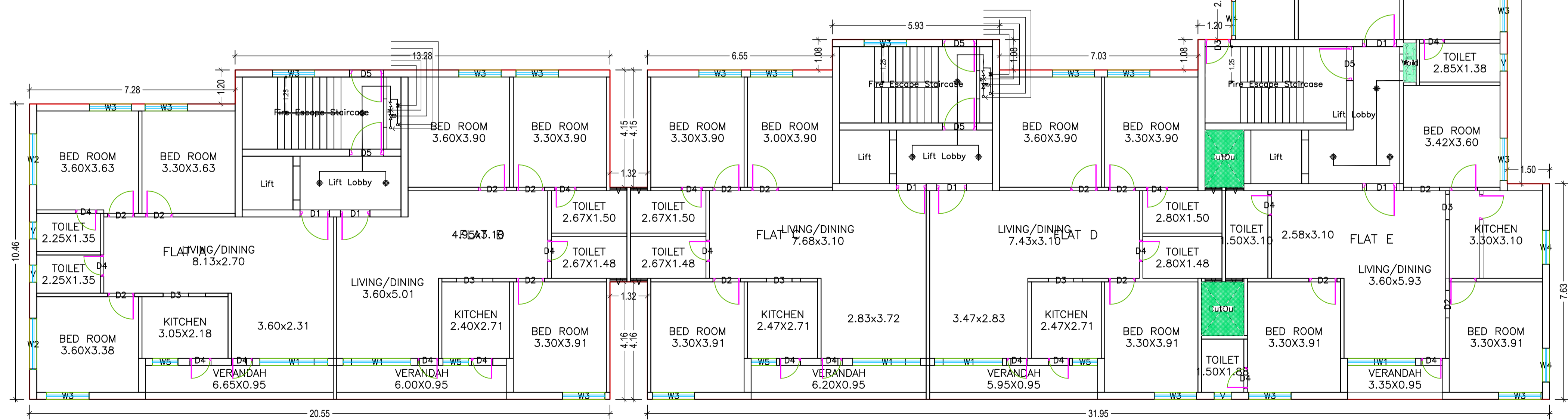


Proposal Basic Information	
Proposal File No.	DMC/BI/0159/W24/2019
Owner Name	MAHESH PRASAD
Khata No	163/77
Plot No	2180/3363, 2183/3362, 2184/3368
Village Name	Saridhela
Use	Residential
SubUse	Residential Bldg/Apartment



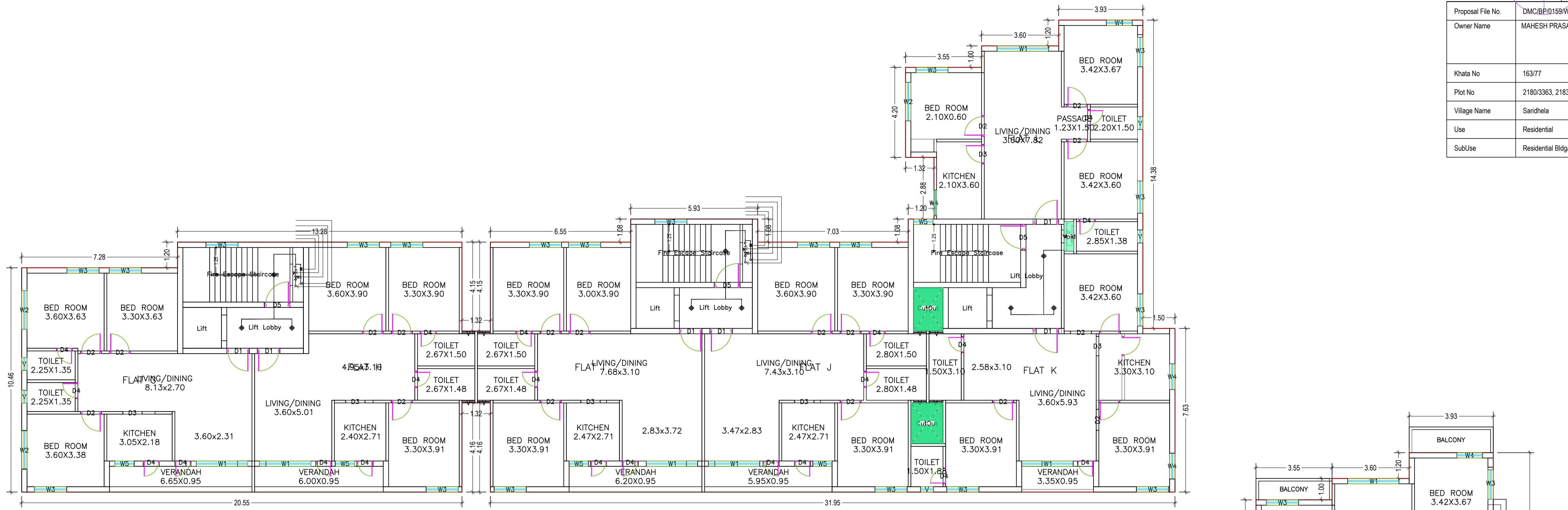
BASEMENT FLOOR PLAN
(SCALE 1:100)



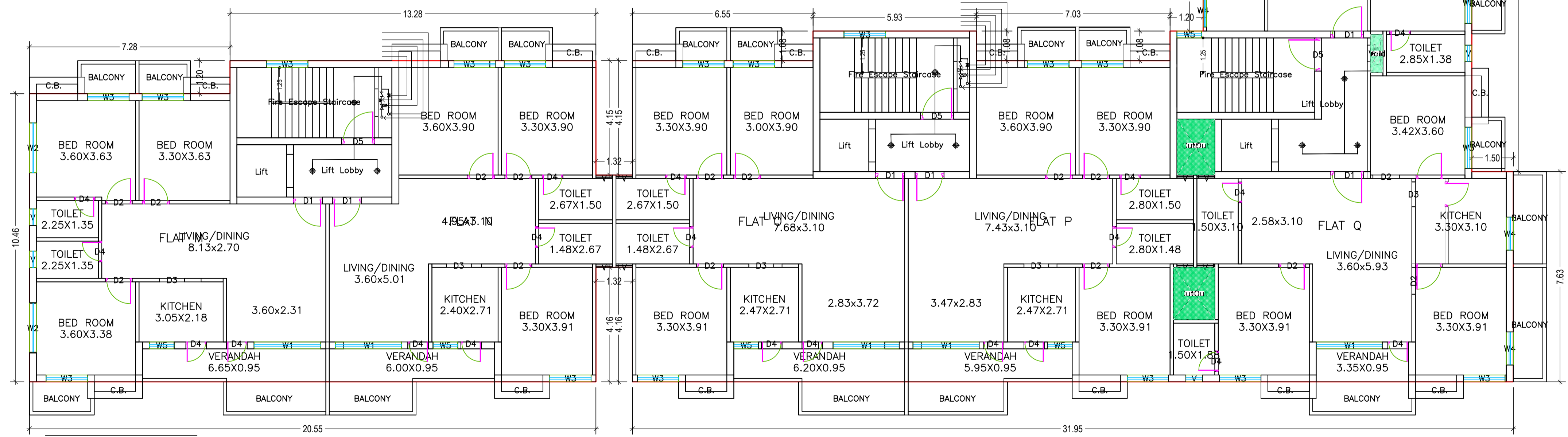
GROUND FLOOR PLAN
(Proposed)
(SCALE 1:100)

LTP NAME AND SIGNATURE	STRUCTURAL ENG'S NAME AND SIGNATURE	BUILDER NAME AND SIGNATURE	DIGITAL SIGNATURE
Priyank Mangalam DMC/ARC/0008/2018			

Proposal Basic Information	
Proposal File No.	DMC/BP/0159/W24/2019
Owner Name	MAHESH PRASAD
Khata No	163/77
Plot No	2180/3363, 2183/3362, 2184/3368
Village Name	Saridhela
Use	Residential
SubUse	Residential Bldg/Apartment



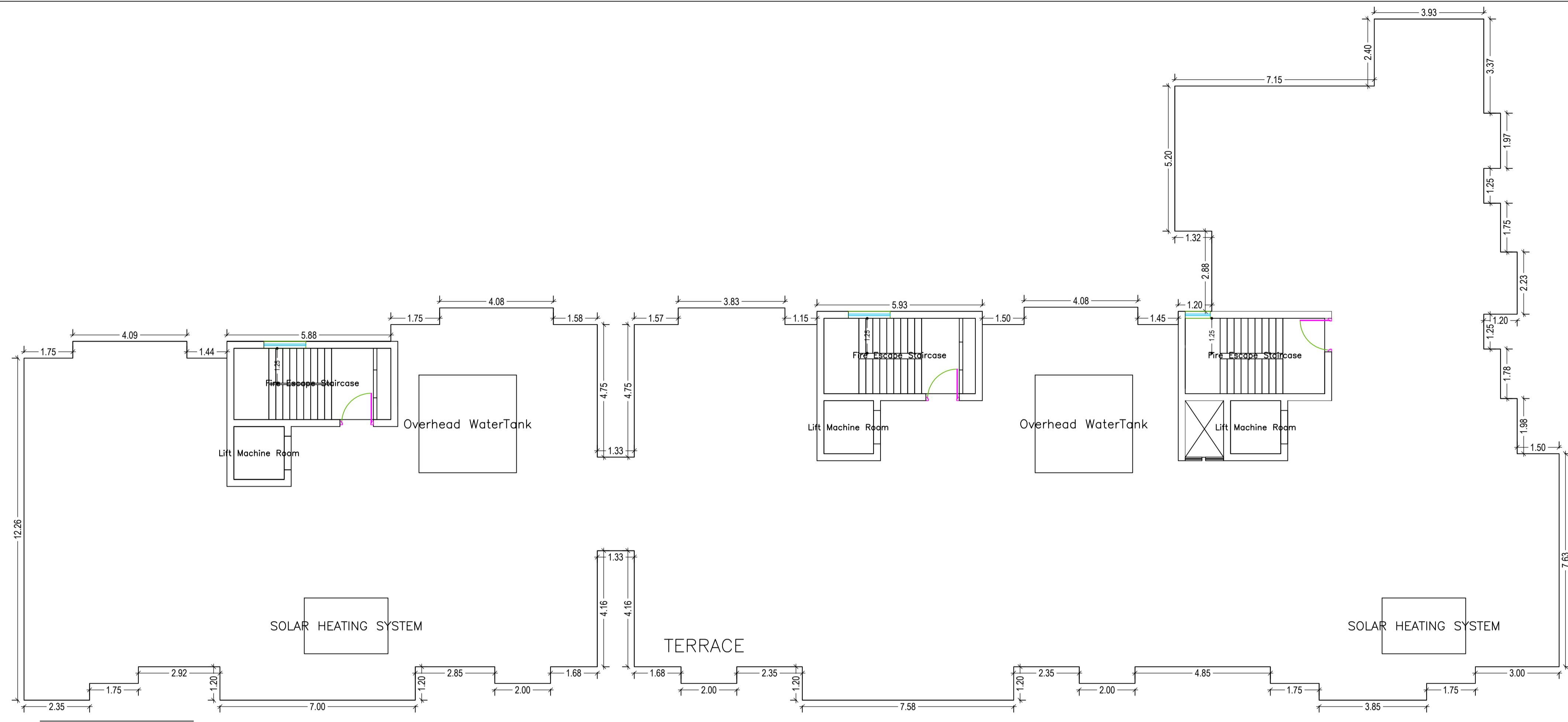
FIRST FLOOR PLAN
(Proposed)
(SCALE 1:100)



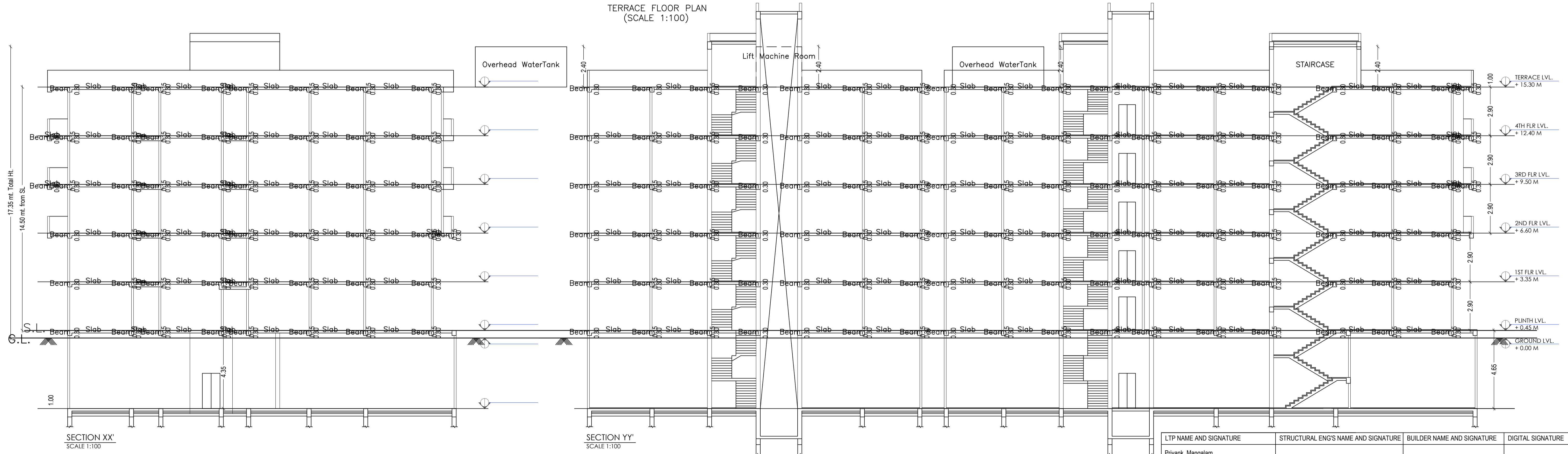
TYPICAL - 2- 4 FLOOR PLAN
(Proposed)
(SCALE 1:100)

LTP NAME AND SIGNATURE	STRUCTURAL ENG'S NAME AND SIGNATURE	BUILDER NAME AND SIGNATURE	DIGITAL SIGNATURE
Priyank Mangalam DMC/ARC/0008/2018			

Proposal Basic Information	
Proposal File No.	DMC/BI/0159/W24/2019
Owner Name	MAHESH PRASAD
Khata No	163/77
Plot No	2180/3363, 2183/3362, 2184/3368
Village Name	Saridhela
Use	Residential
SubUse	Residential Bldg/Apartment



TERRACE FLOOR PLAN
(SCALE 1:100)

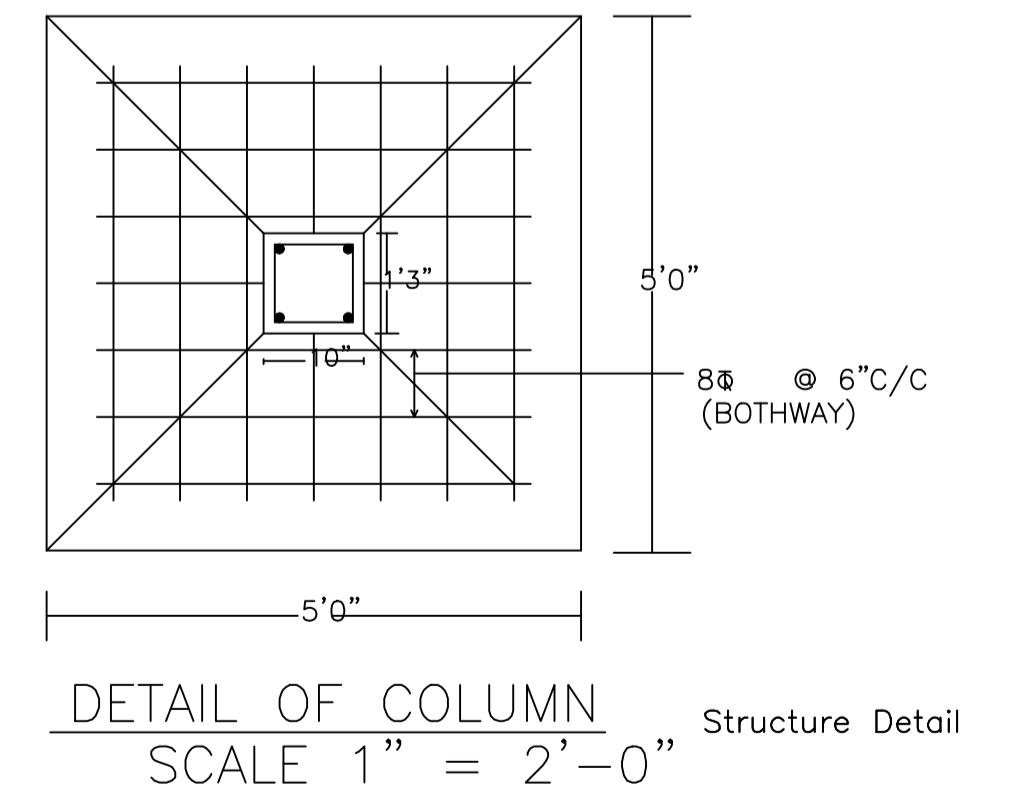
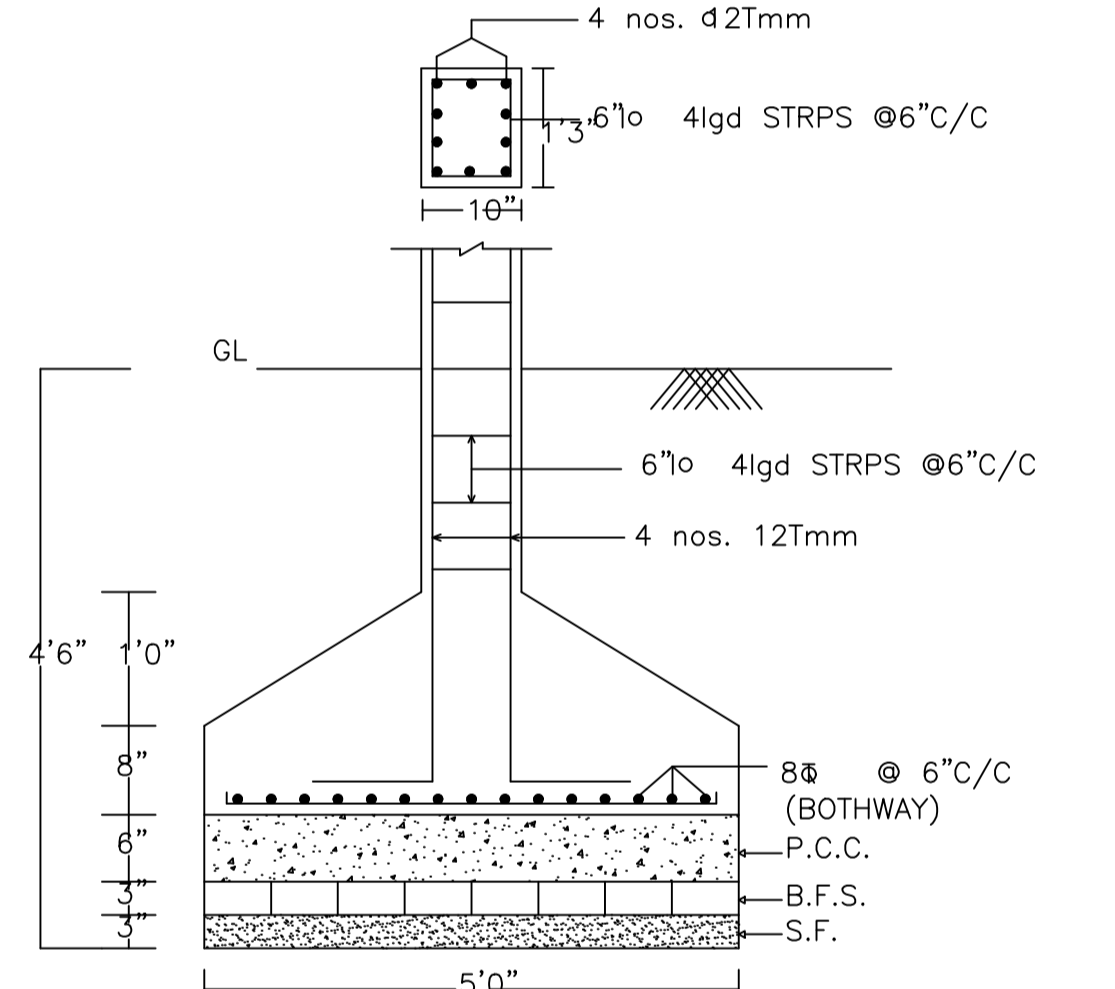
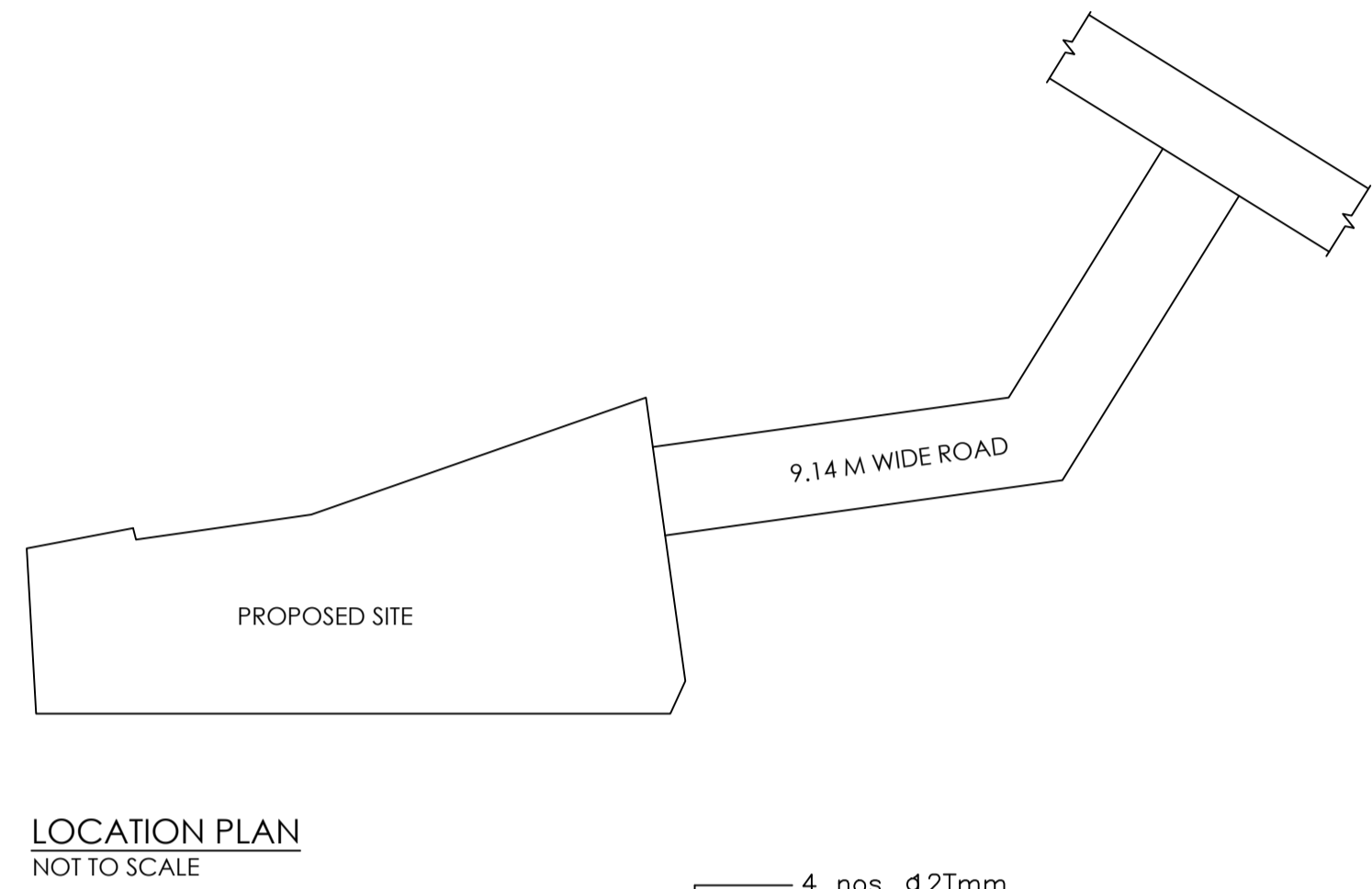
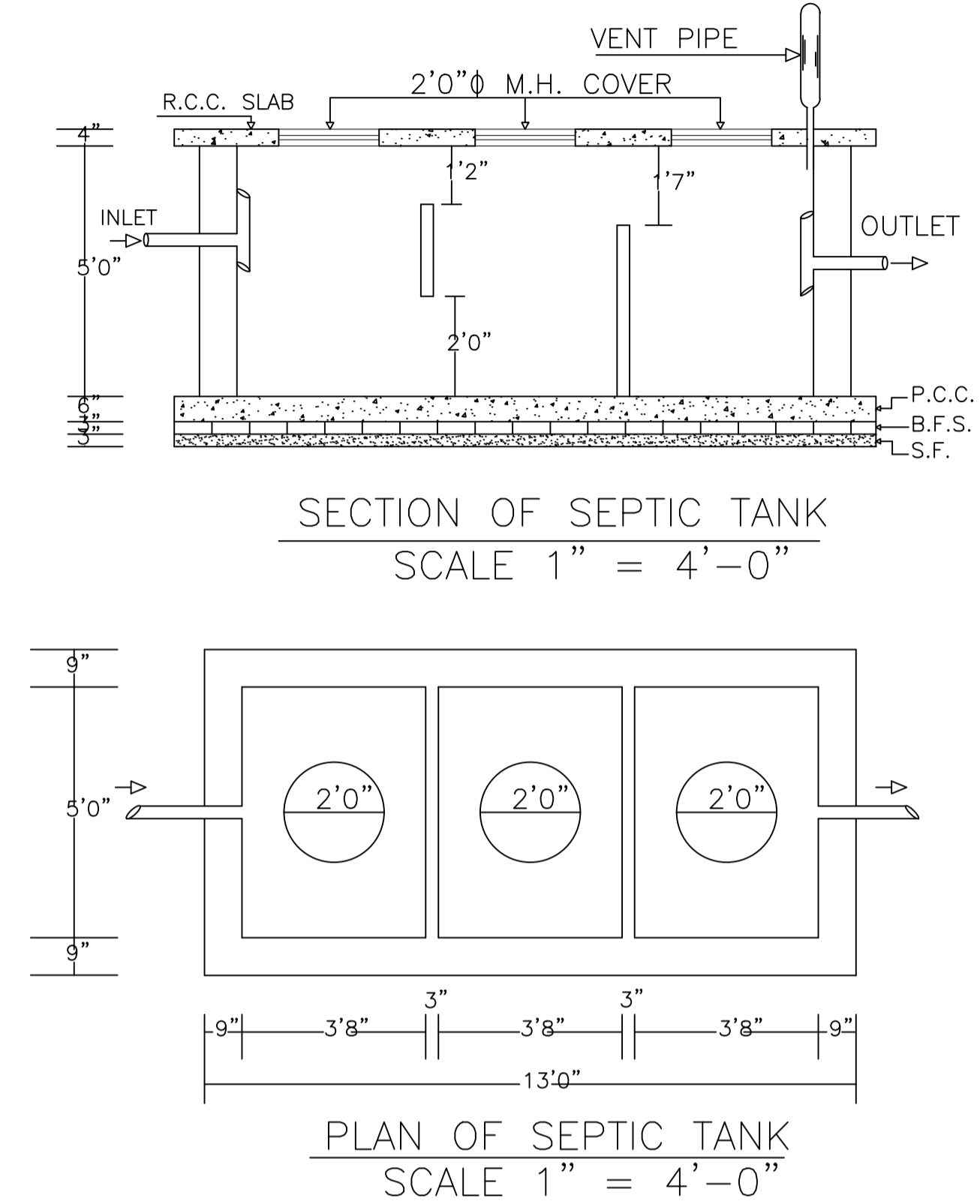
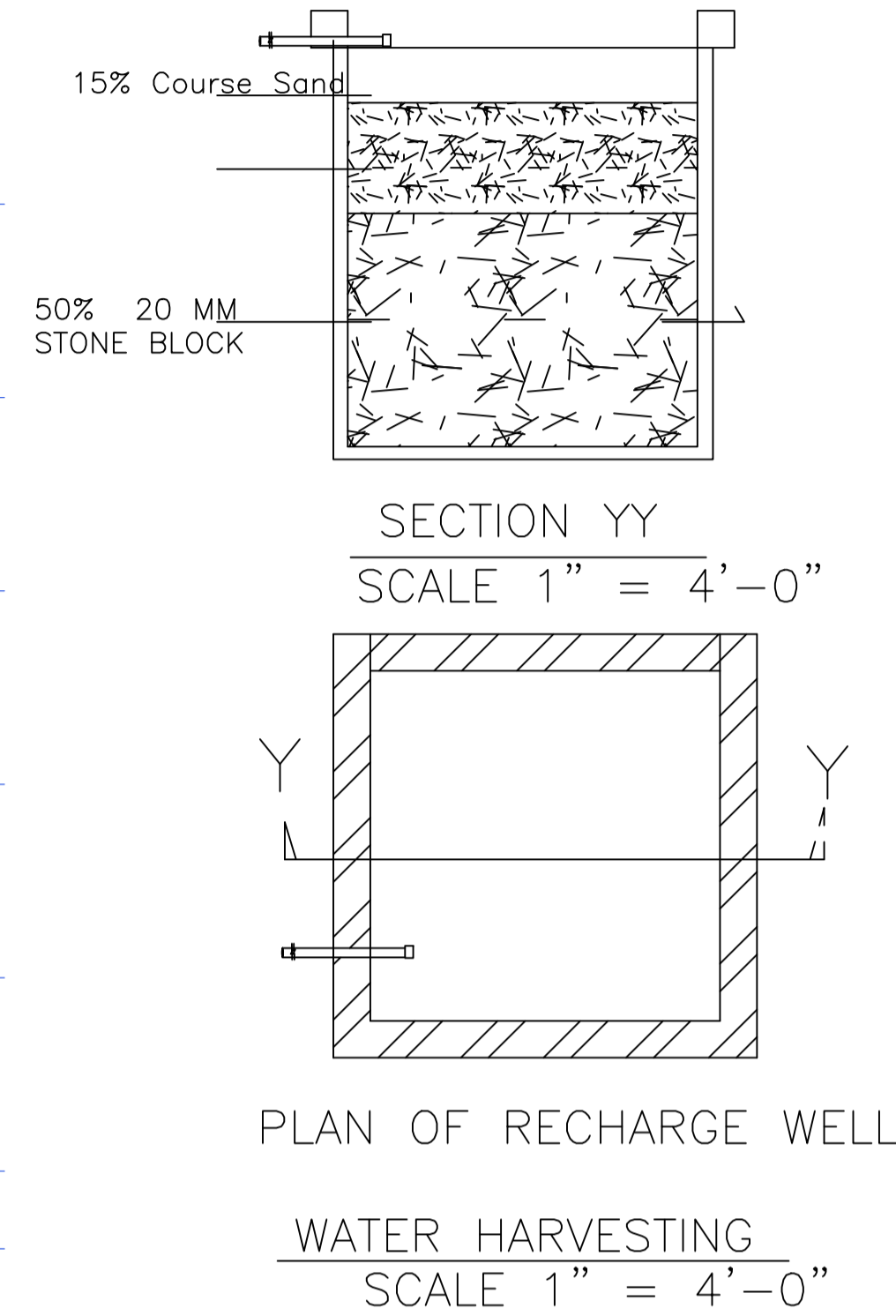
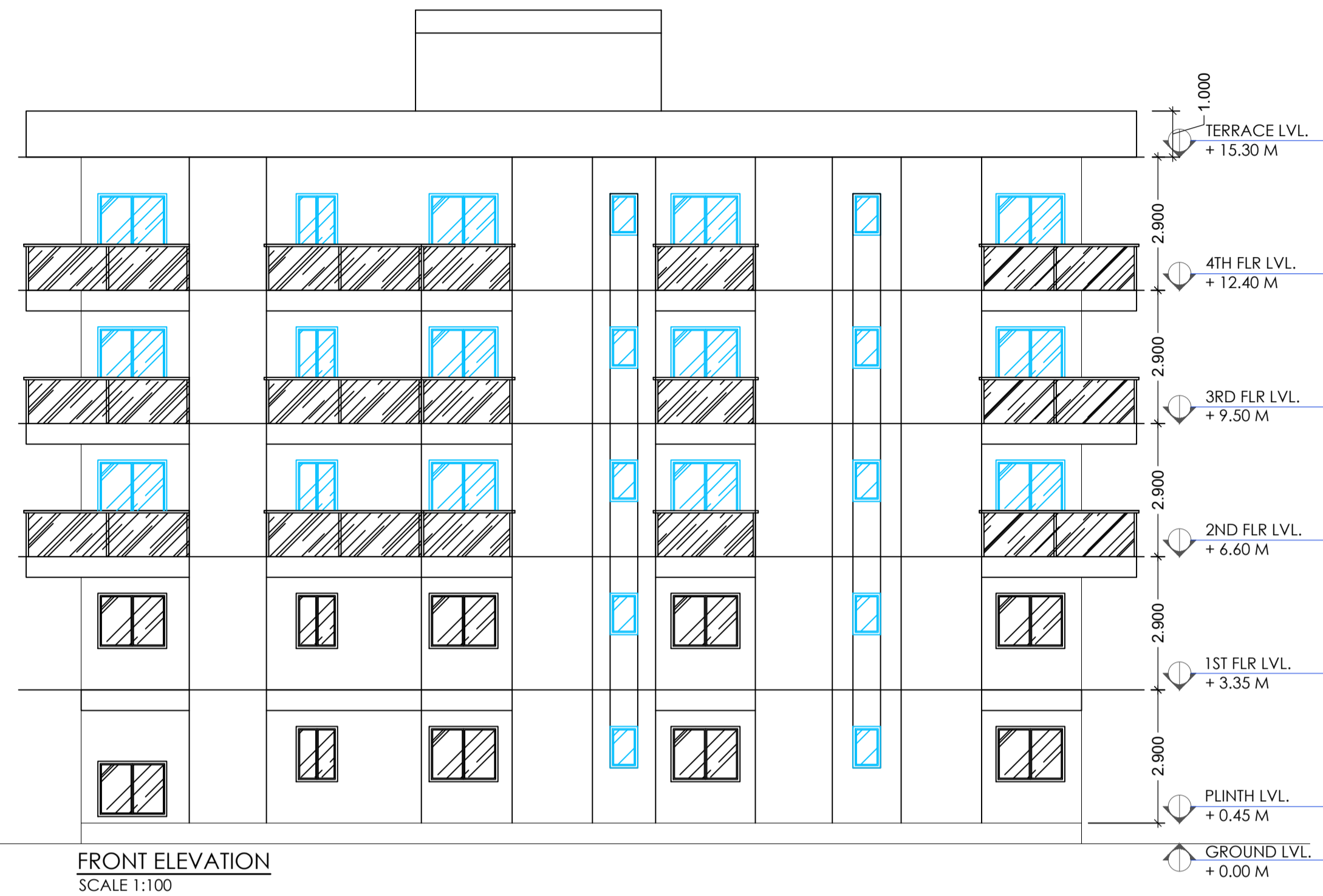


SECTION XX'
SCALE 1:100

SECTION YY'
SCALE 1:100

LTP NAME AND SIGNATURE	STRUCTURAL ENG'S NAME AND SIGNATURE	BUILDER NAME AND SIGNATURE	DIGITAL SIGNATURE
Priyank Manglam DMC/ARC/0008/2018			

Proposal Basic Information	
Proposal File No.	DMC/BI/0159/W24/2019
Owner Name	MAHESH PRASAD
Khata No	163/77
Plot No	2180/3363, 2183/3362, 2184/3368
Village Name	Saridhela
Use	Residential
SubUse	Residential Bldg/Apartment



LTP NAME AND SIGNATURE	STRUCTURAL ENG'S NAME AND SIGNATURE	BUILDER NAME AND SIGNATURE	DIGITAL SIGNATURE
Priyank Mangalam DMC/ARC/0008/2018			