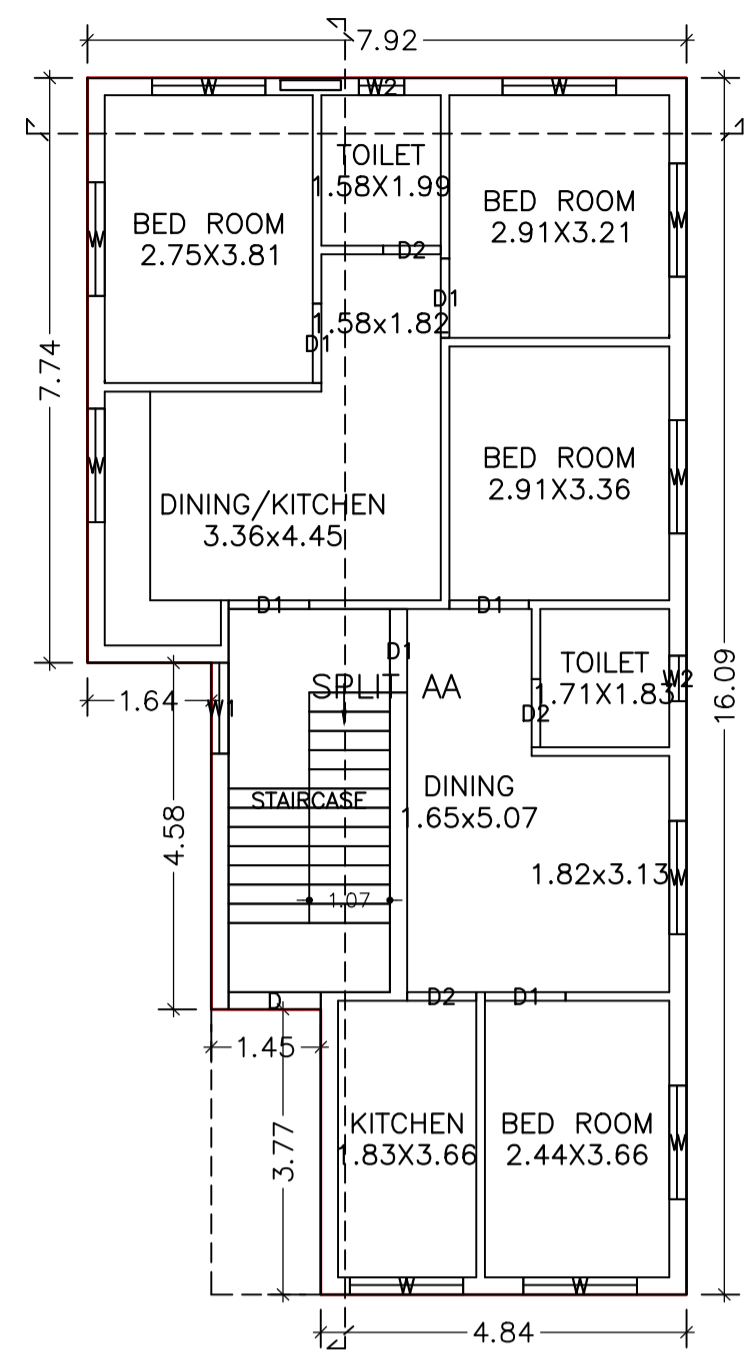
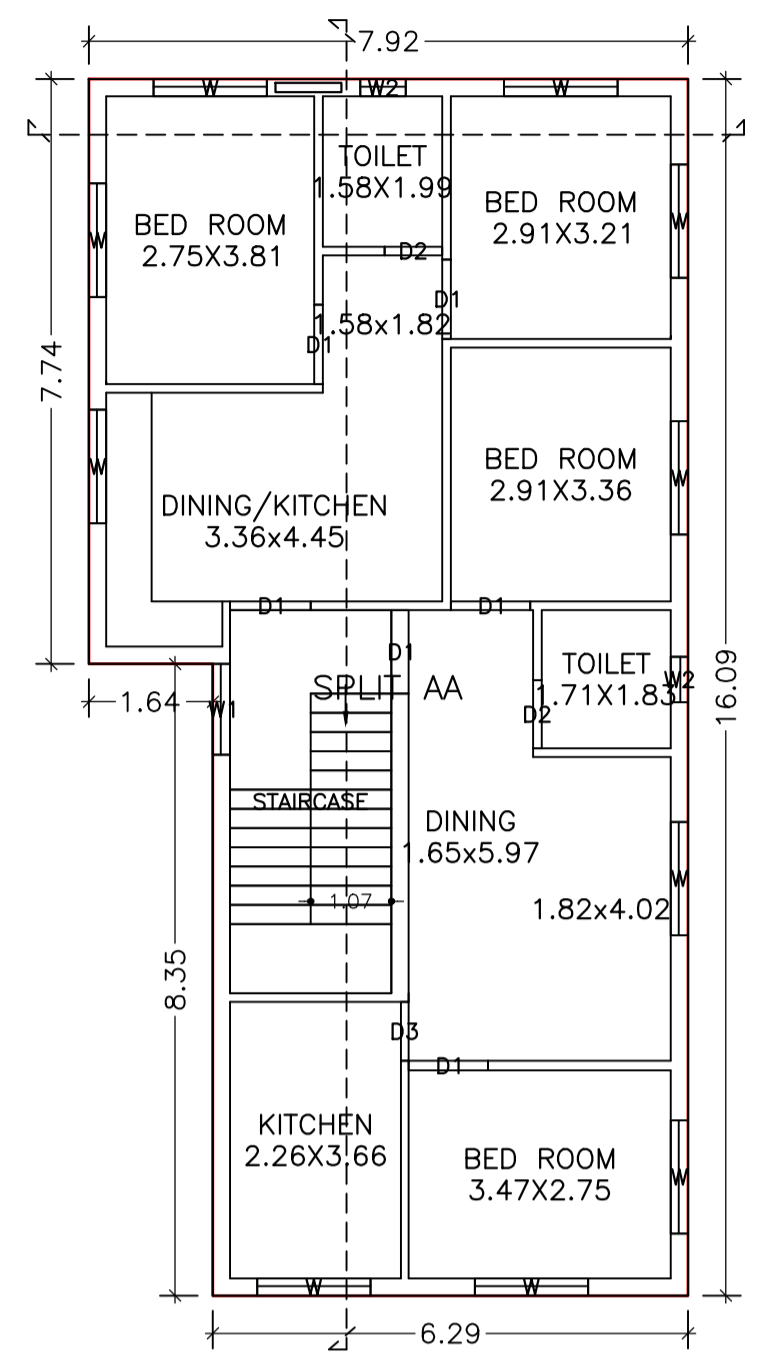


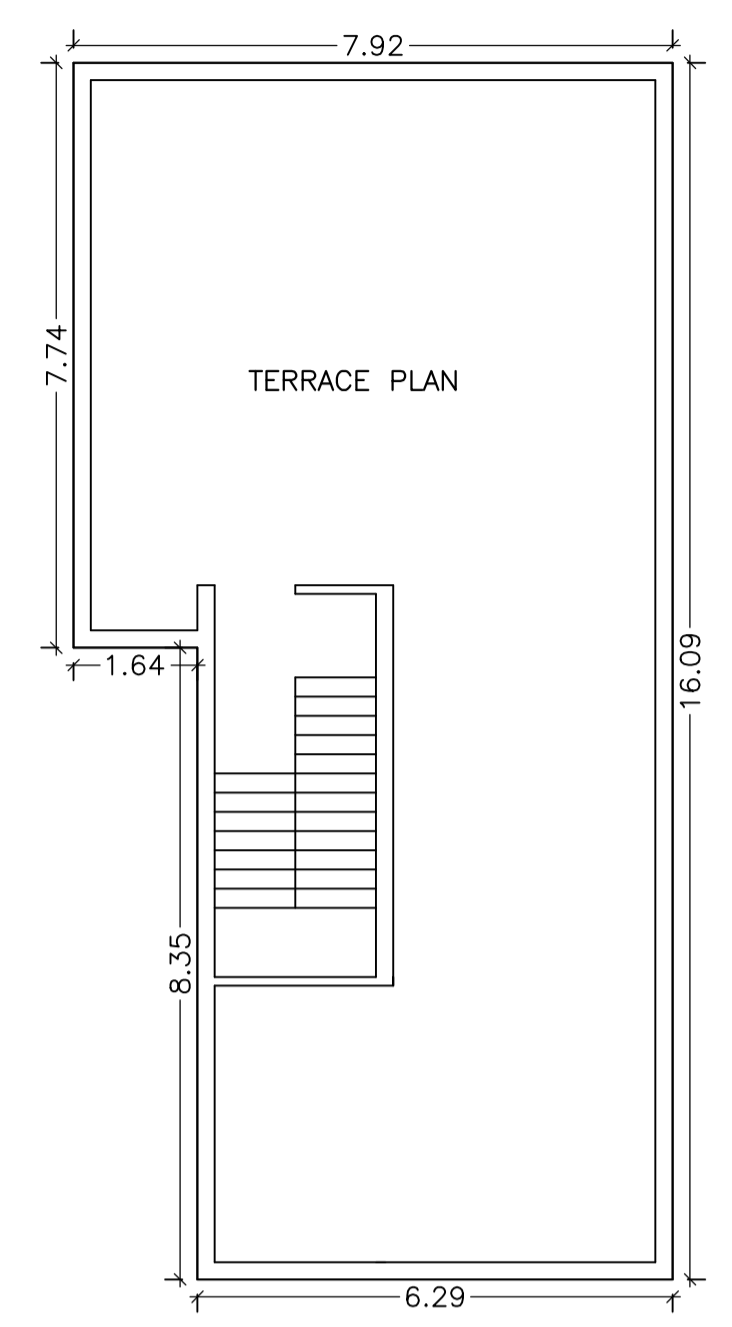
Proposal Basic Information	
Proposal File No	DMC/BP/0336/W21/2019
Owner Name	SMT BHOLIYA DEVI
Khata No	35 & 170 , NEW - 35 & 170
Plot No	1607 & 1608 , NEW - 1607 & 1608
Village Name	Dhaiya
Use	Residential
SubUse	Bungalow/ Dwelling / Non Apartment



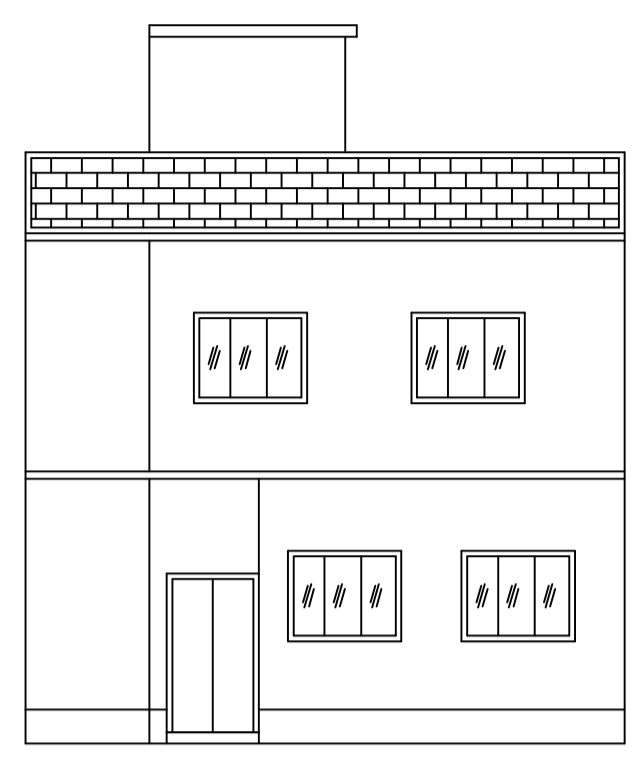
GROUND FLOOR PLAN
(Proposed)
(SCALE 1:100)



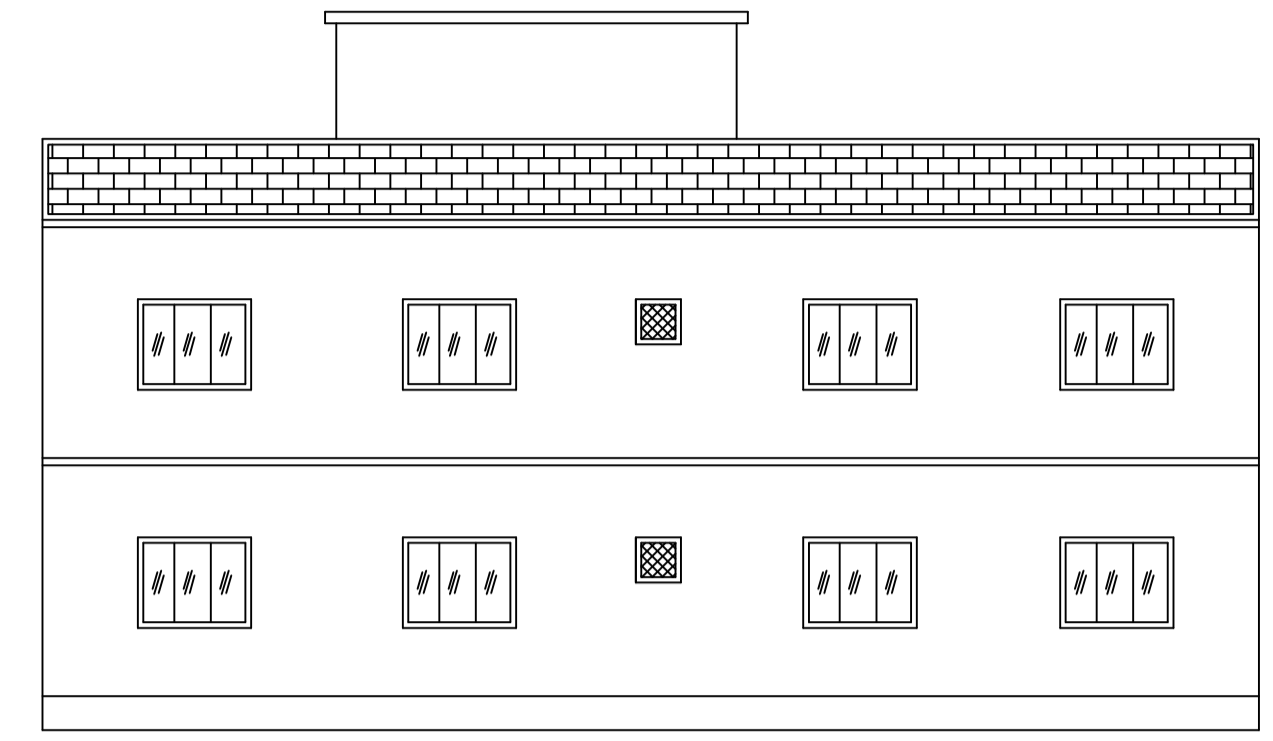
FIRST FLOOR PLAN
(Proposed)
(SCALE 1:100)



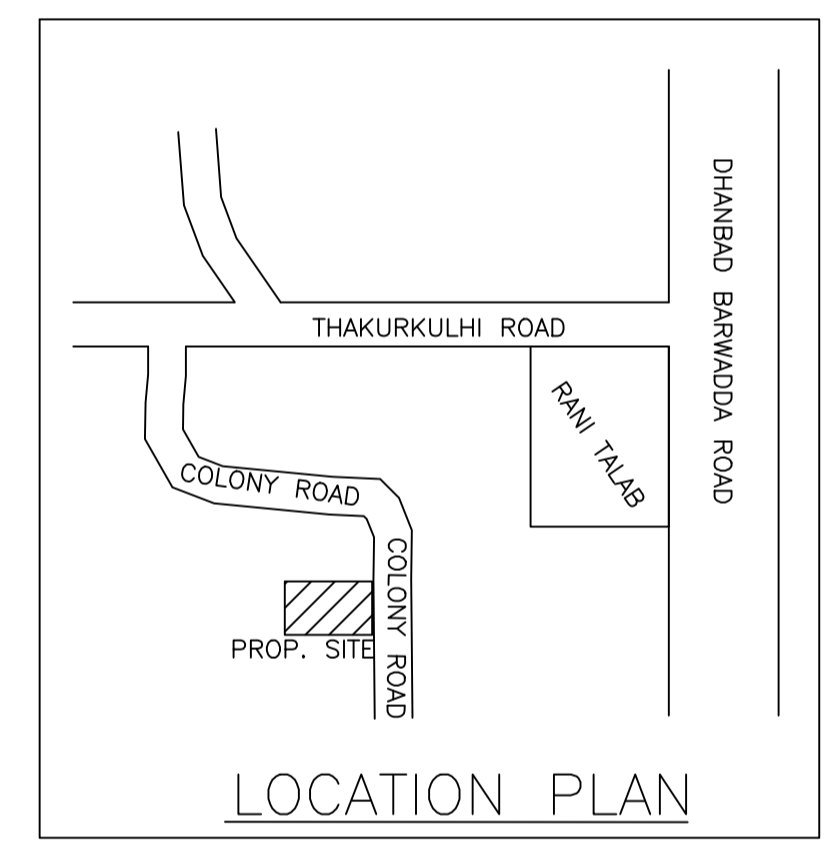
TERRACE FLOOR PLAN
(SCALE 1:100)



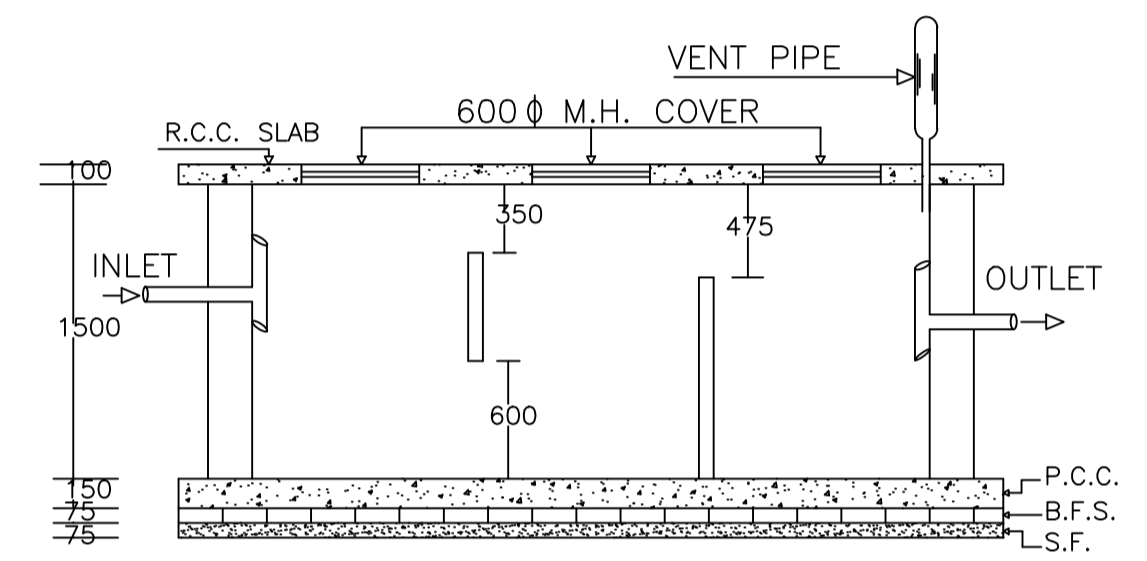
FRONT ELEVATION



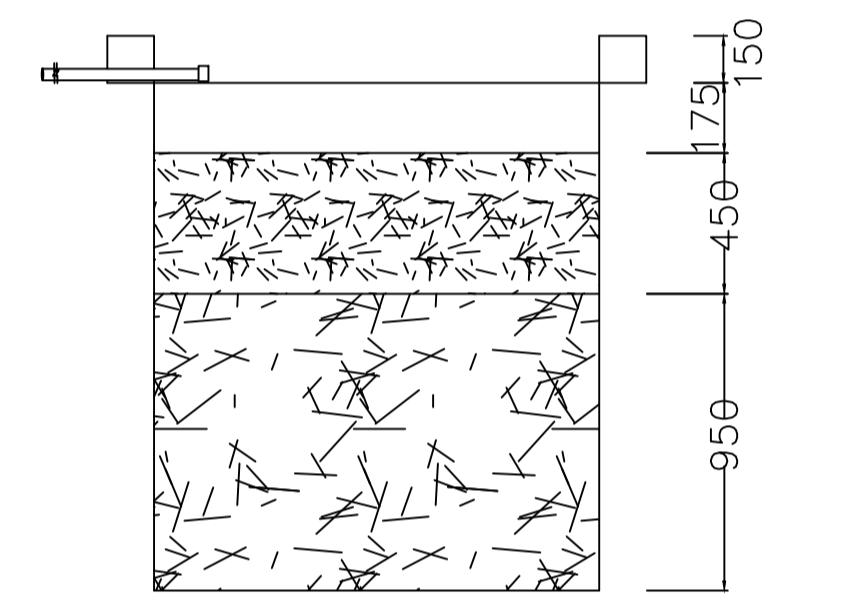
RIGHT SIDE ELEVATION



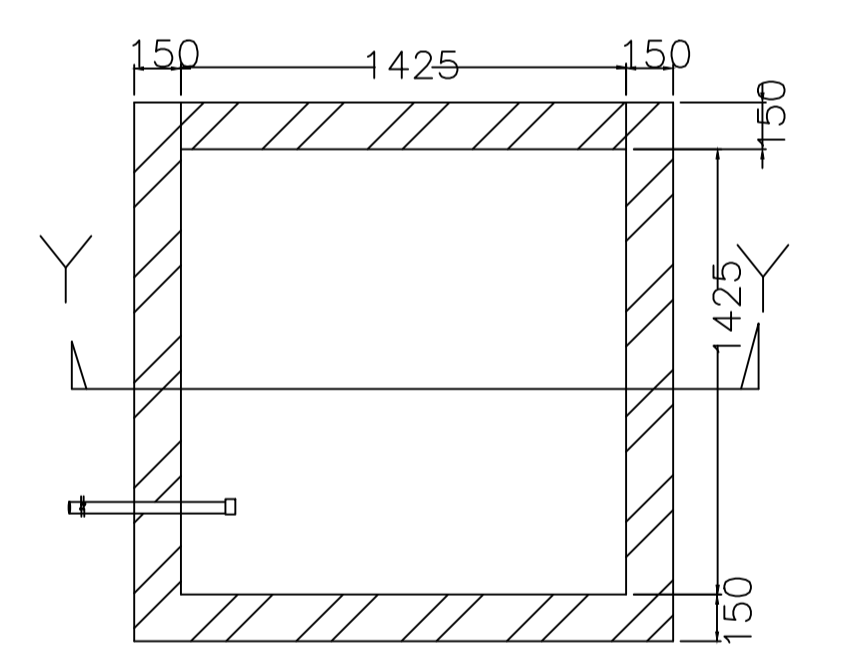
LOCATION PLAN



PLAN OF SEPTIC TANK

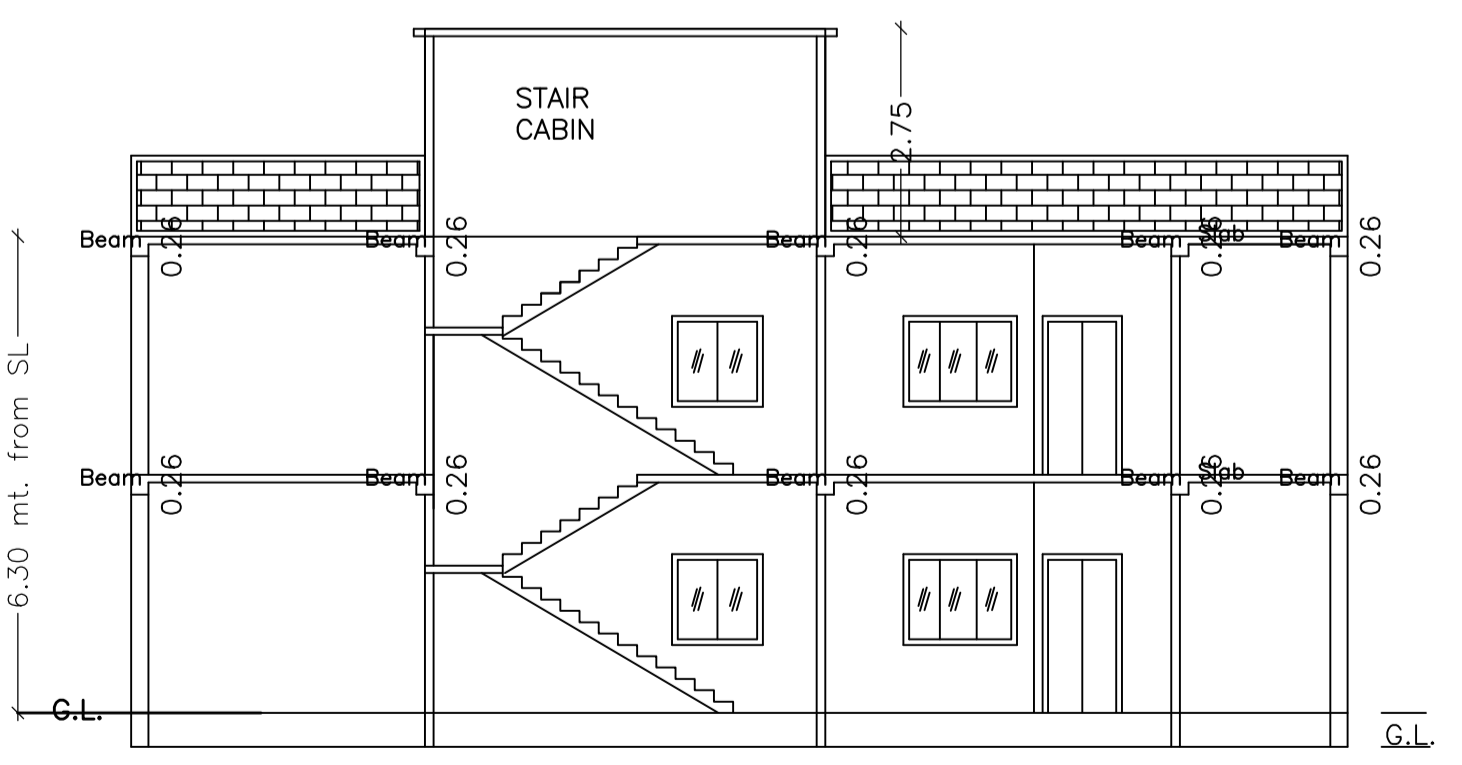


SECTION AT Y-Y

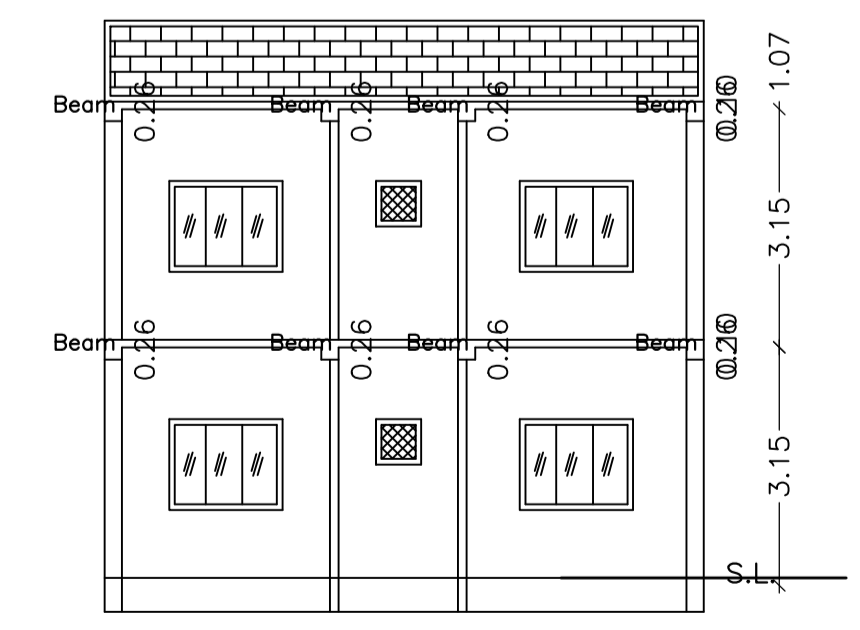


PLAN OF RECHARGE WELL

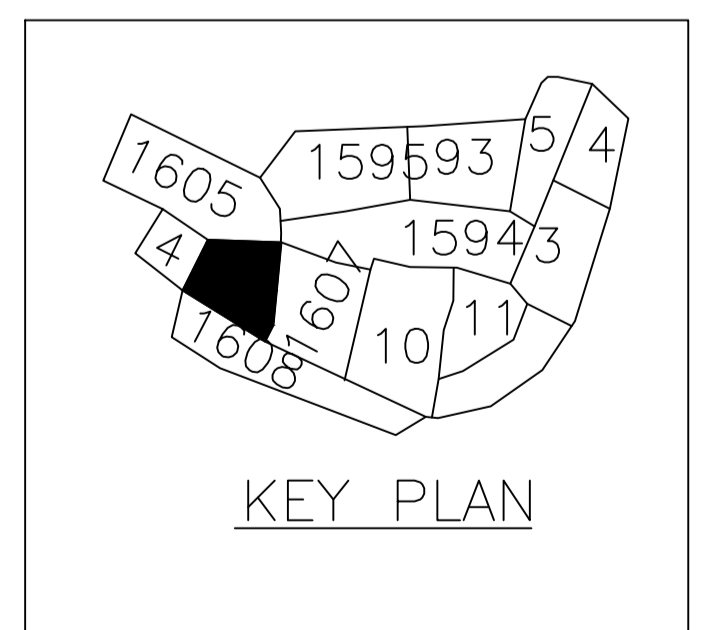
WATER HARVESTING



SECTION ON X-X



SECTION ON Y-Y



KEY PLAN

LTP NAME AND SIGNATURE	STRUCTURAL ENG'S NAME AND SIGNATURE	DESIGNER NAME AND SIGNATURE	AUDITOR NAME AND SIGNATURE
Ashish kr singh DMC/ARC/0016/2017			