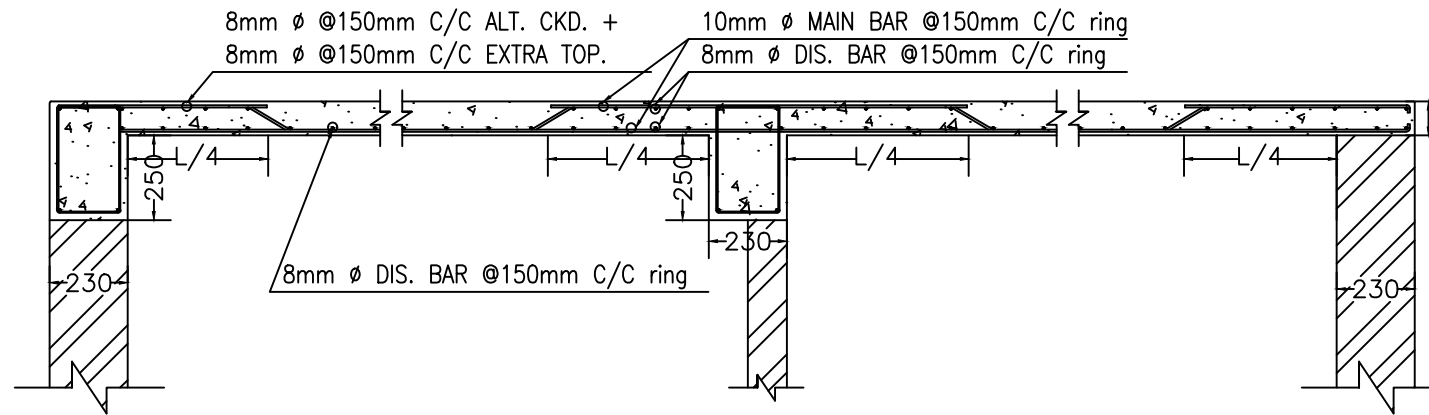
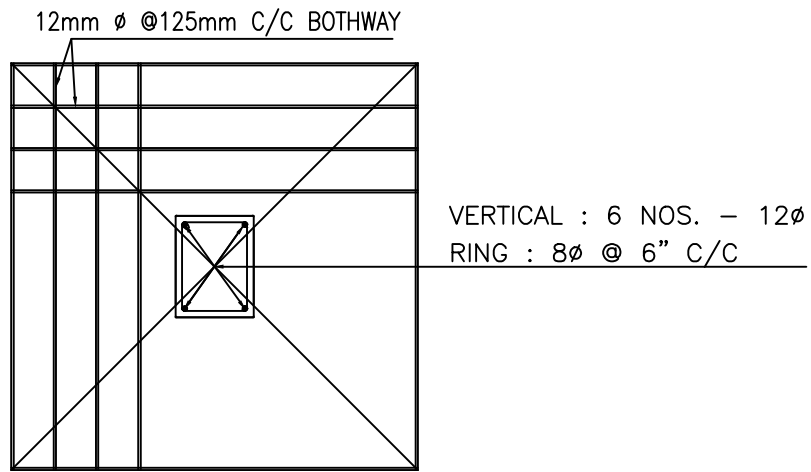
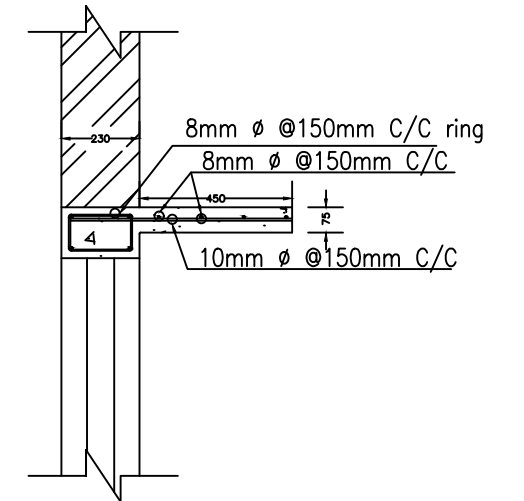


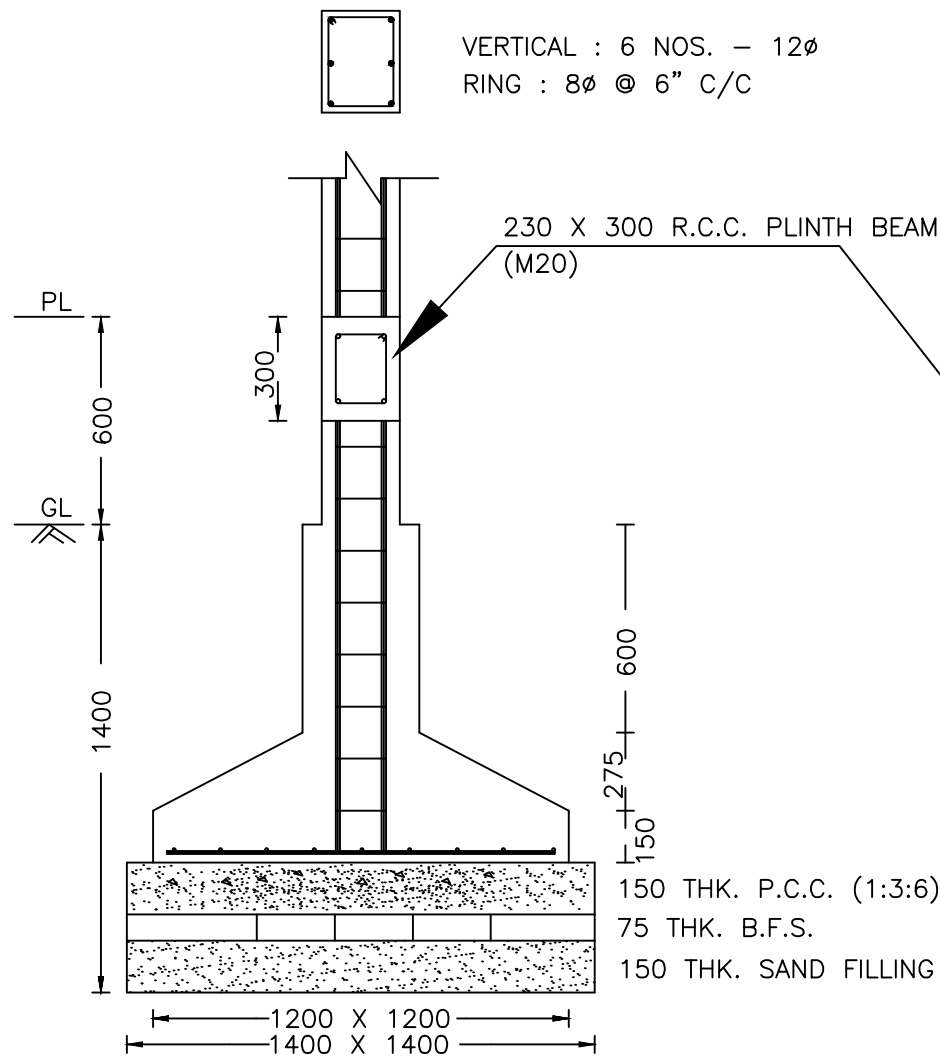
# STRUCTURAL DESIGN SAFETY DETAILS



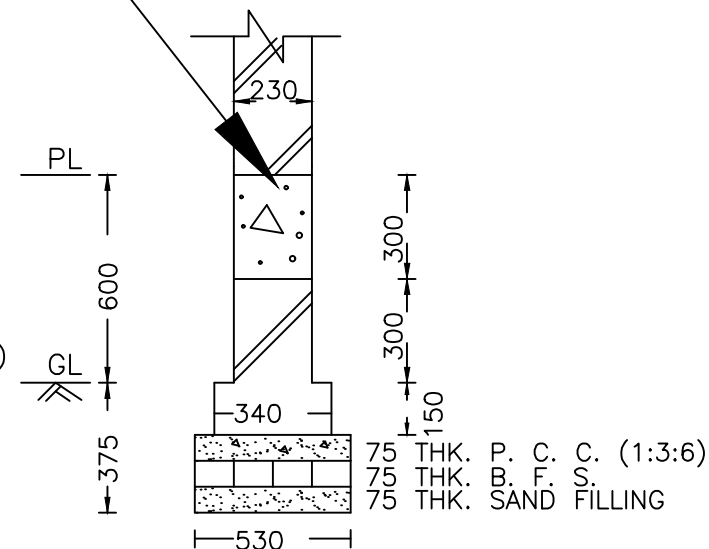
**TYPICAL DET. OF R.C.C. SLAB**



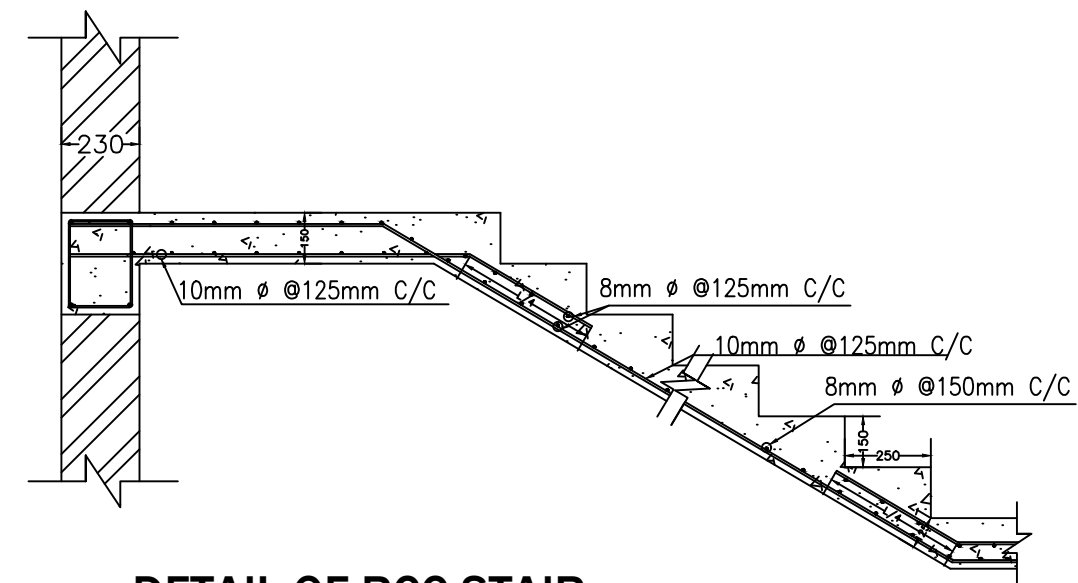
**DET. OF R.C.C. CHAJJA**



**FOUNDATION DETAILS OF COLUMN**



**FOUNDATION DETAILS OF WALL**



**DETAIL OF RCC STAIR**

DRAWING OF PROPOSED STRUCTURAL DETAILS OF RESIDENTIAL BUILDING OF 1. SMT. MANJU DEVI, W/O SRI VIJAY KUMAR THAKUR & SMT. PUNAM DEVI, W/O SRI RAJAN PRASAD THAKUR, UNDER MOUZA PANDERPALA, NO. 04, KHATA NO. 63(OLD) 387(NEW), PART OF PLOT NO. 238(OLD) 268(NEW) DIST. DHANBAD IN THE STATE OF JHARKHAND.