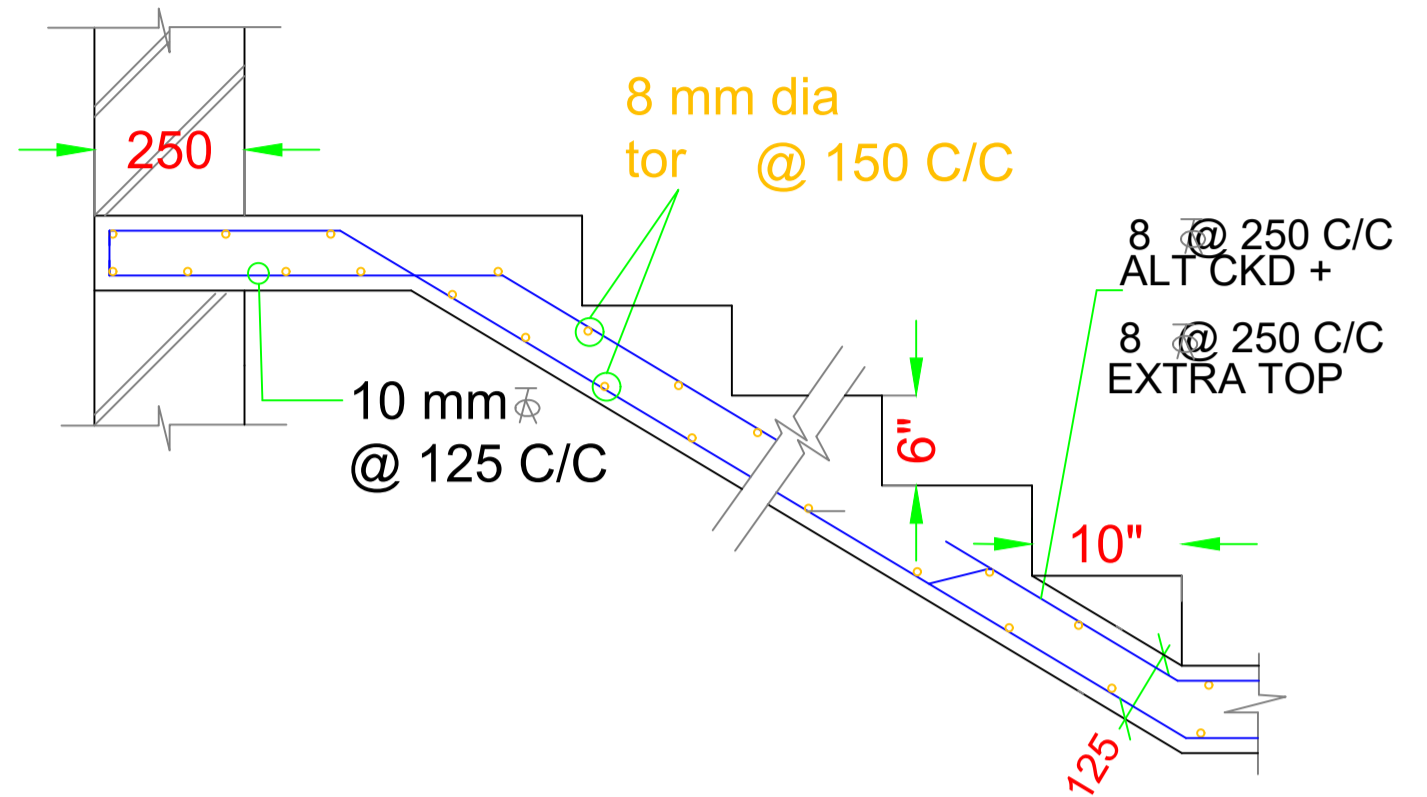


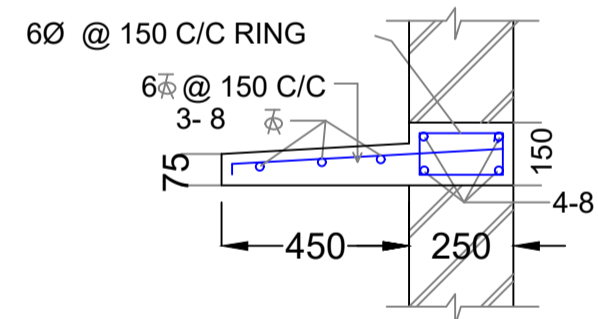
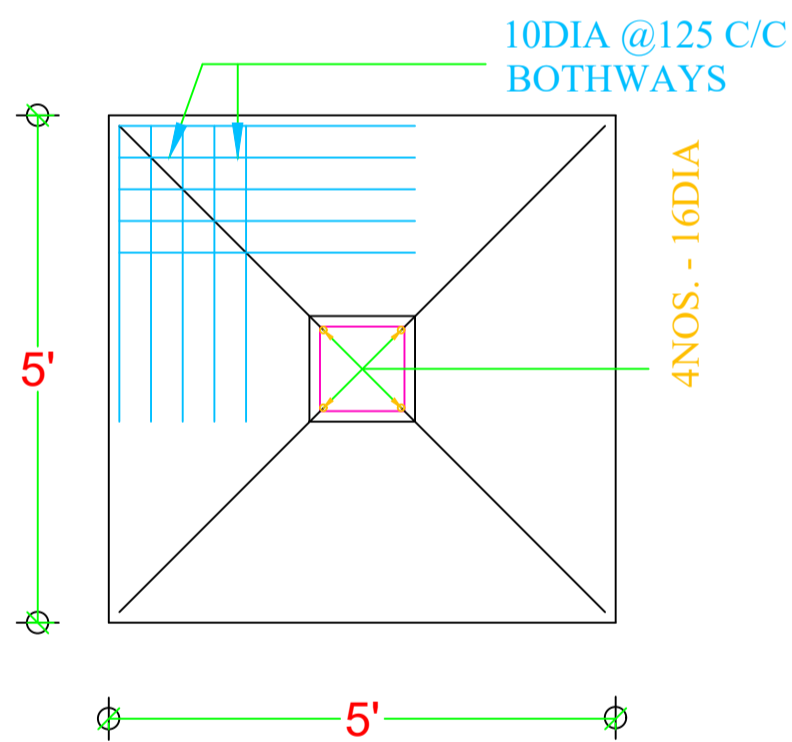
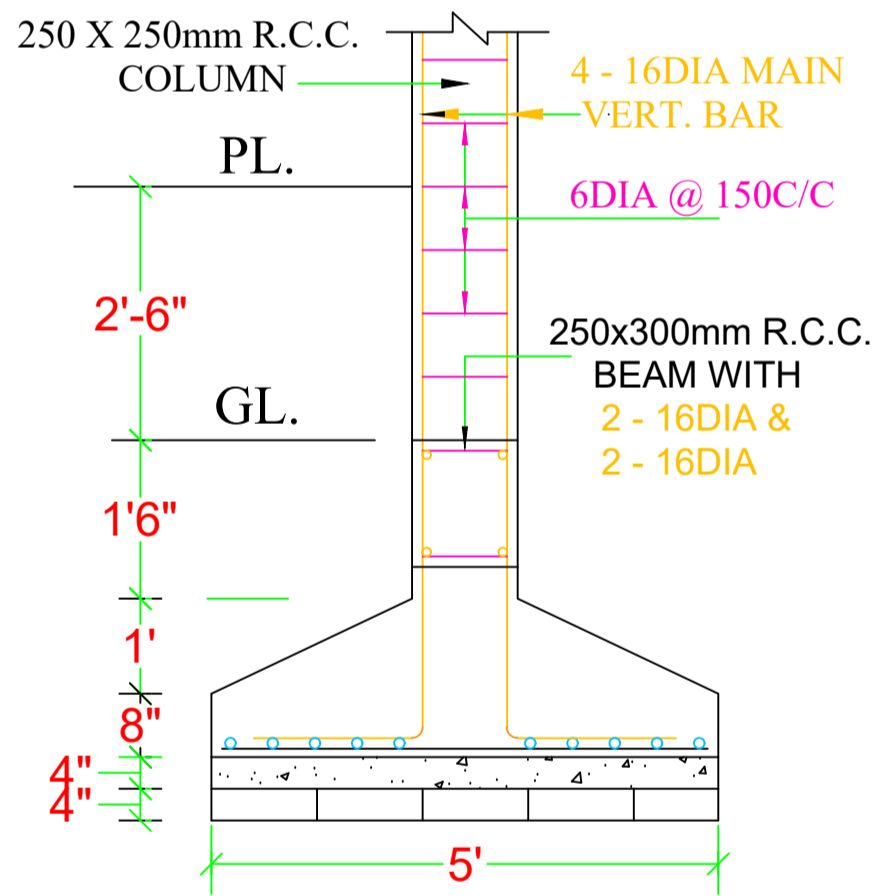
EXIS. DET.OF MAIN WALL FOUNDATION

SCALE-1:50 (Dim in mm)



DET OF R.C.C. STAIR

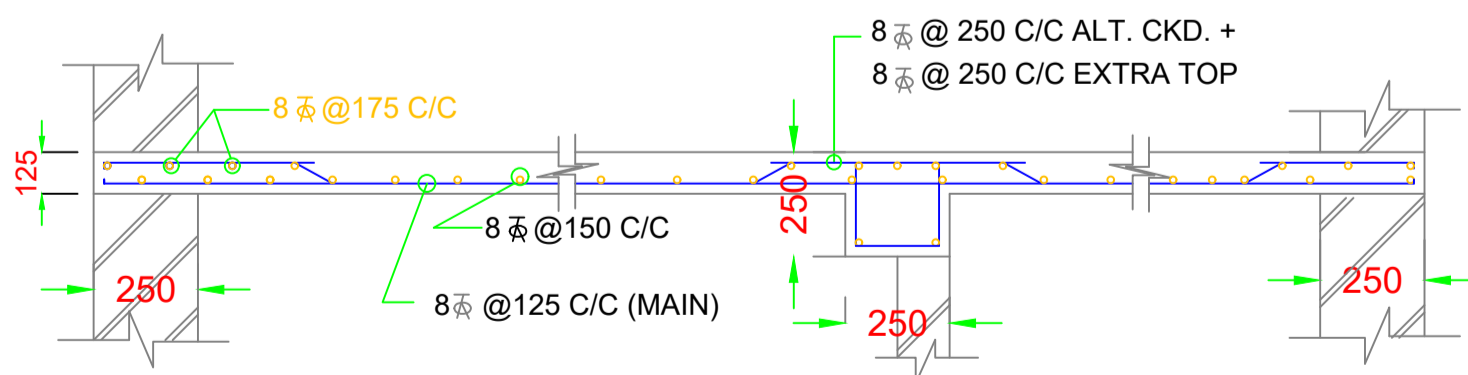
(Dim in mm)



DET OF CHAJJA

SCALE-1:25

DET. OF R.C.C. COLUMN FOUNDATION



TYPICAL DET. R.C.C. SLAB

(Dim in mm)