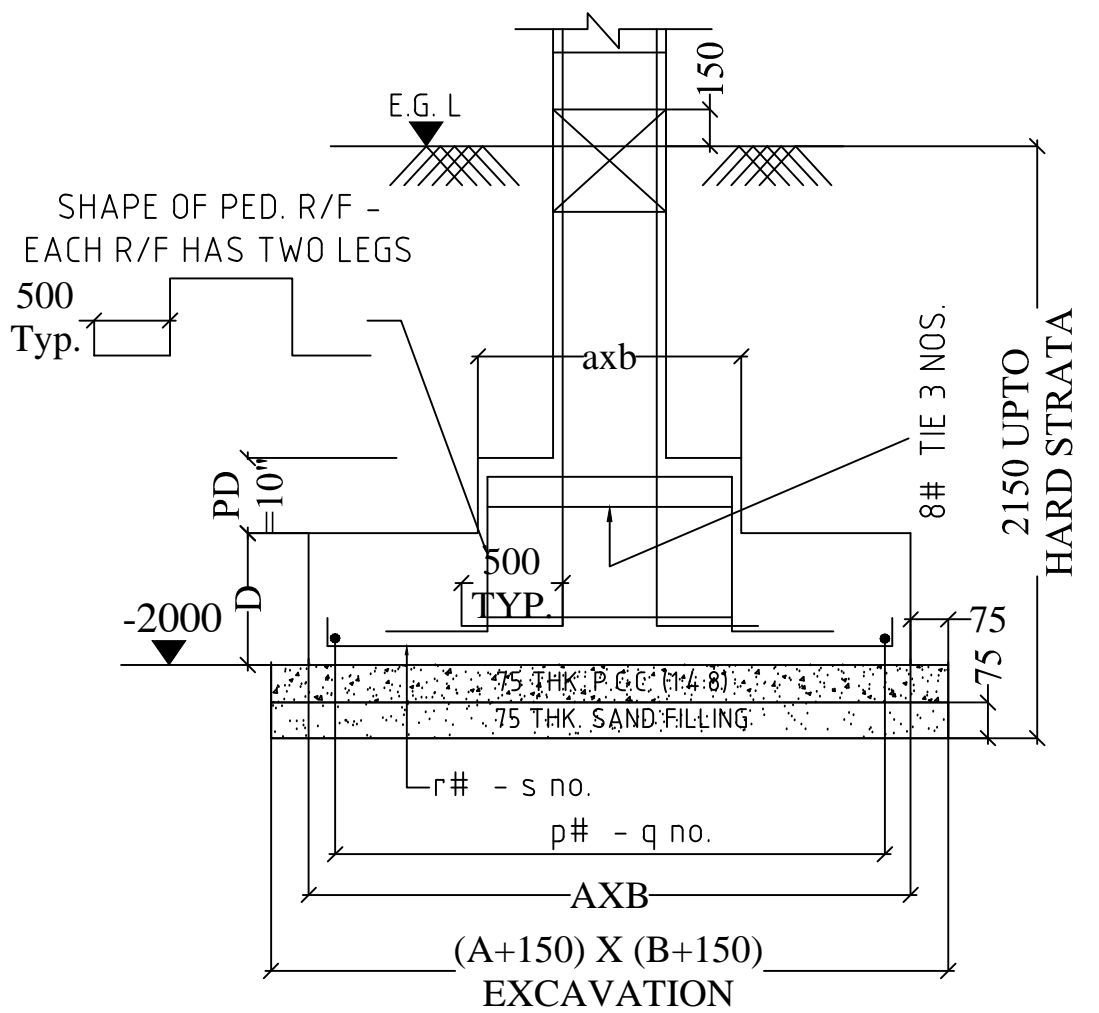
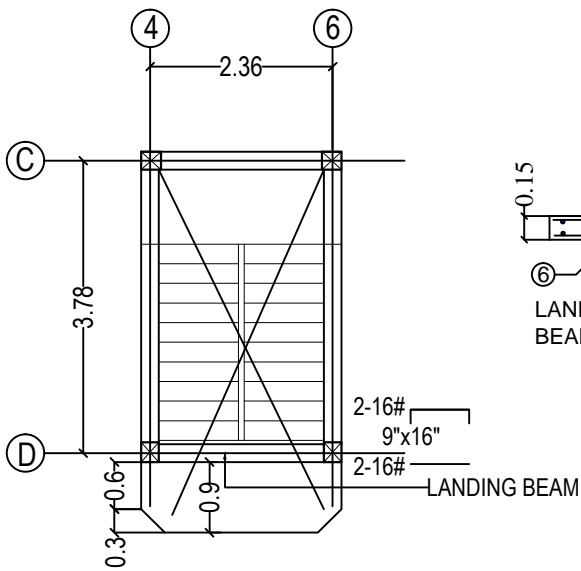


PLAN OF TYP. ISOLATED FOOTING

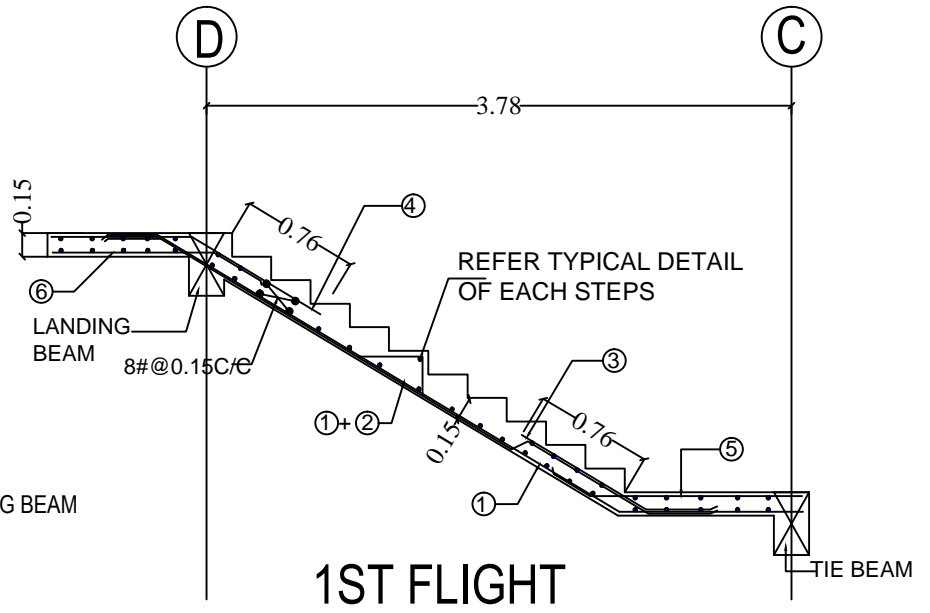


SECTION 1-1

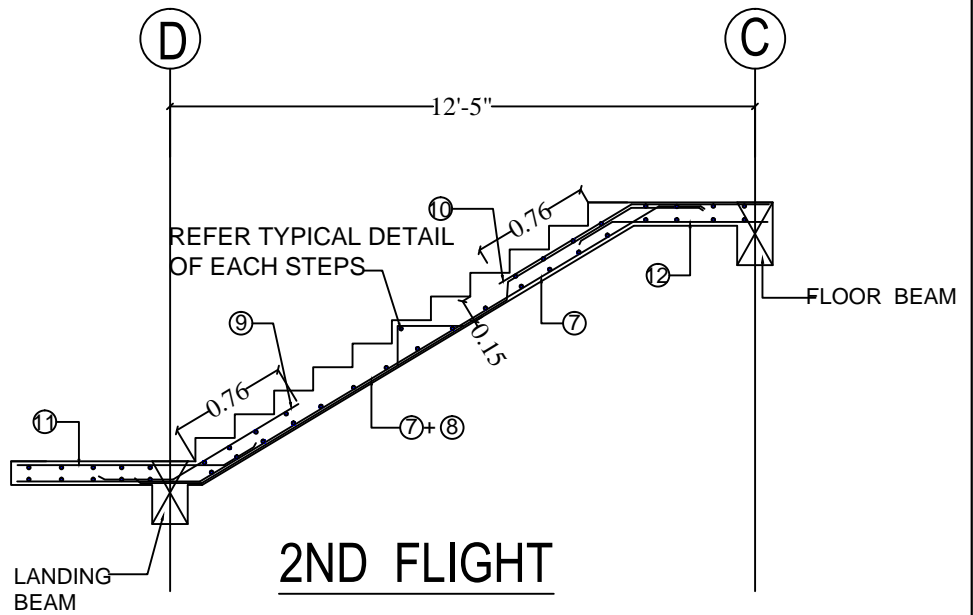
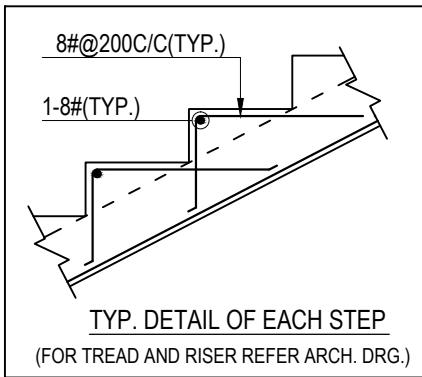
DETAILS OF COLUMN FOOTING



STAIR BEAM LAYOUT PLAN



1ST FLIGHT



2ND FLIGHT