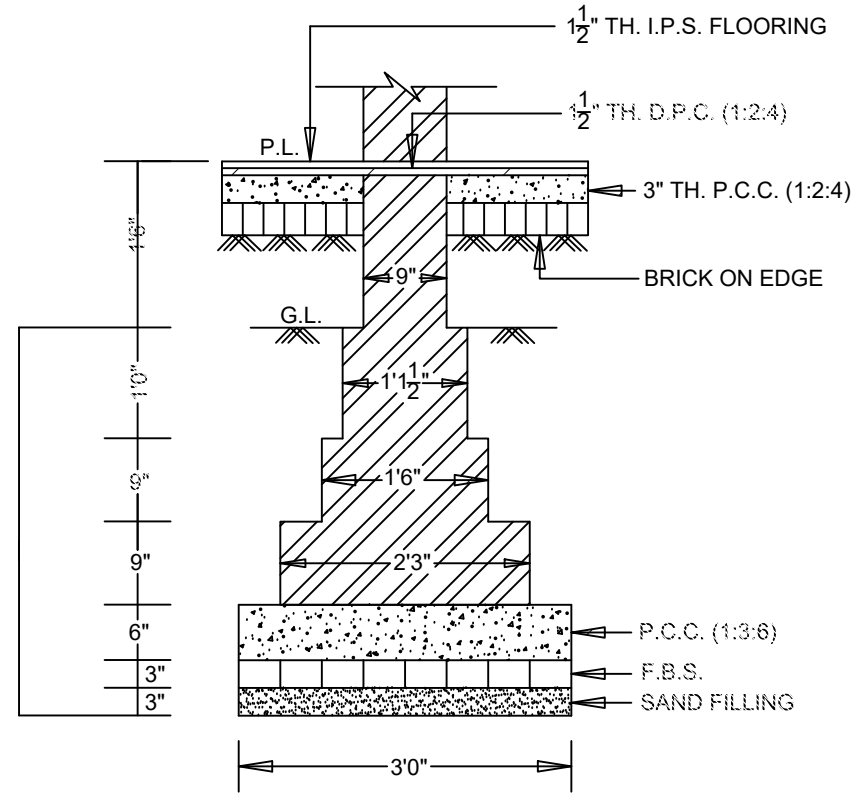
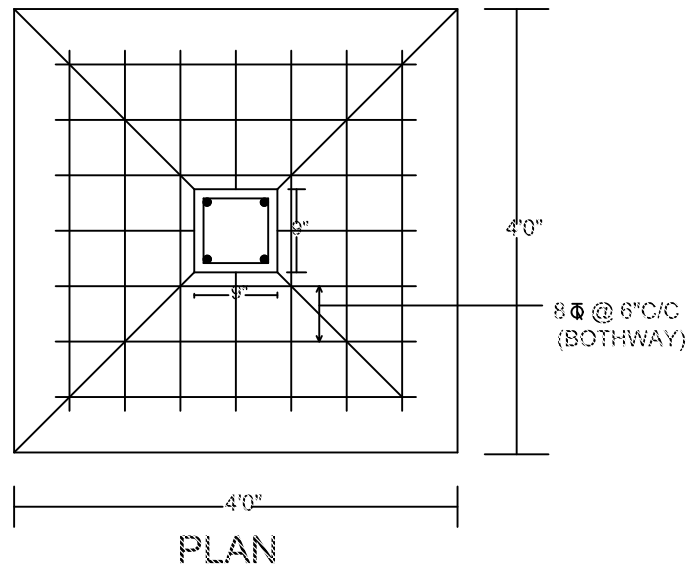


SECTION

**DETAIL OF COLUMNS**



**-:DETAIL OF BRICK FOUNDATION:-**

SCALE:- 1" = 2' - 0"