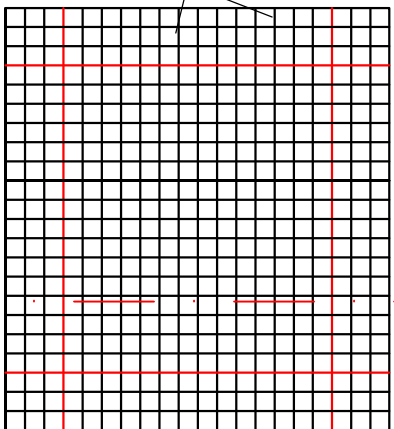
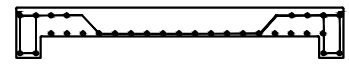
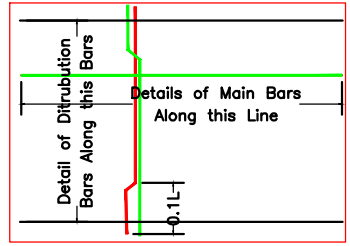


FOUNDATION PLAN

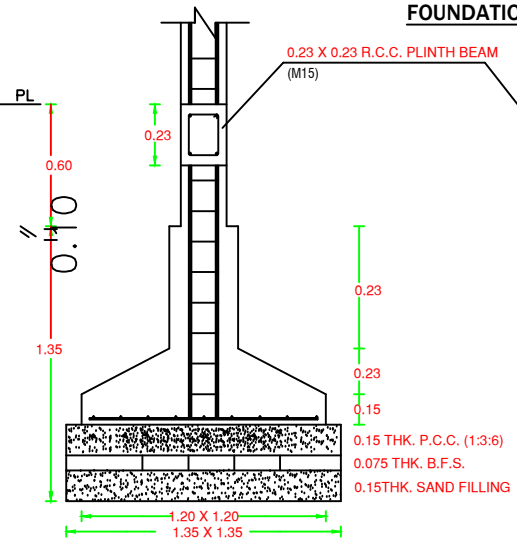
VERTICAL & HORIZONTAL- 12Ø @0.15 C/C



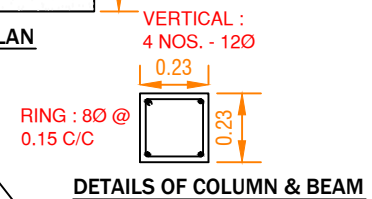
BOTTOM REINFORCEMENT PLAN



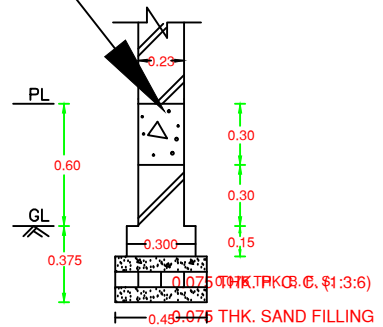
SECTION - D:D



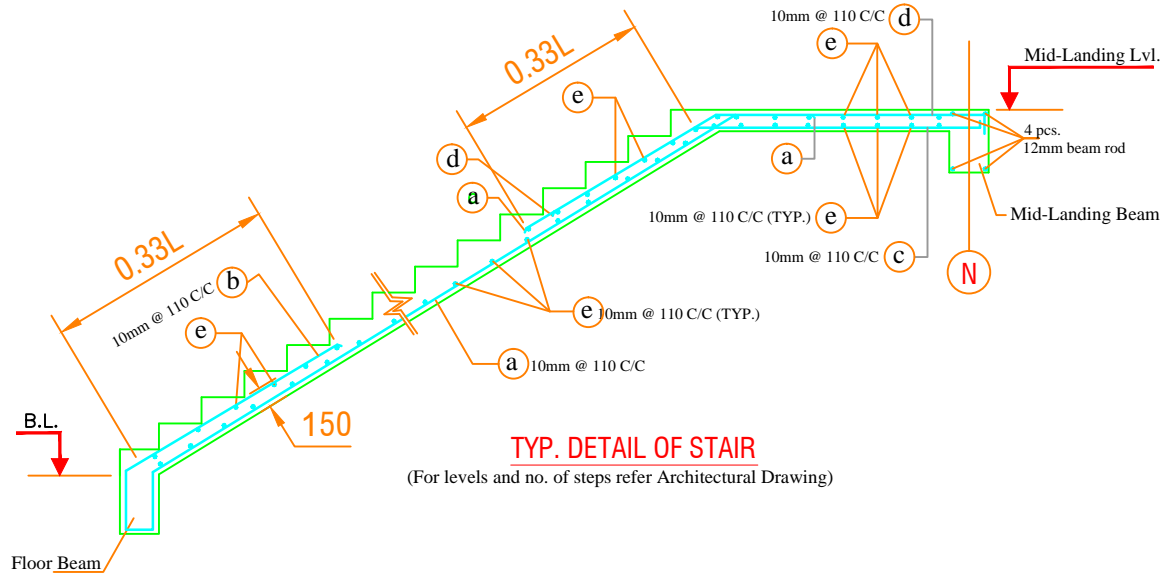
FOUNDATION DETAILS OF COLUMN



DETAILS OF COLUMN & BEAM



FOUNDATION DETAILS OF WALL



TYP. DETAIL OF STAIR
(For levels and no. of steps refer Architectural Drawing)

Structure Detail