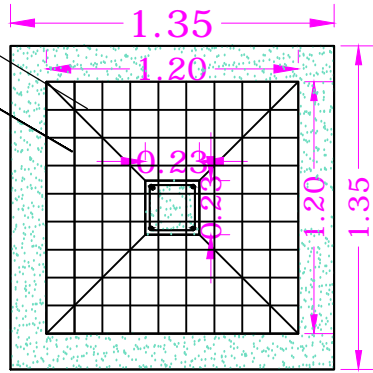
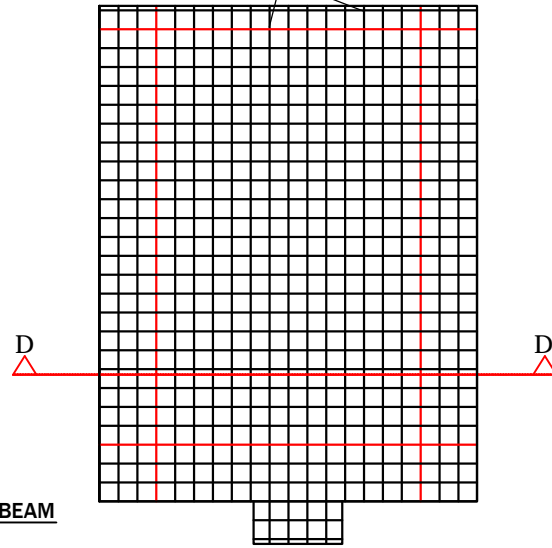


VERTICAL & HORIZONTAL- 12Ø @0.15 C/C

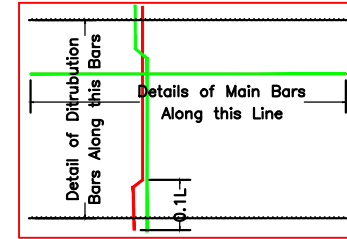


FOUNDATION PLAN

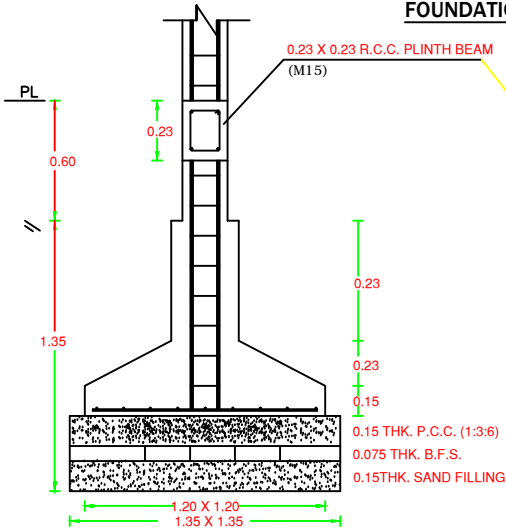
VERTICAL & HORIZONTAL- 12Ø @0.15 C/C



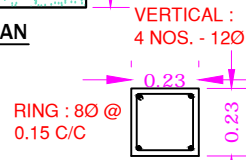
BOTTOM REINFORCEMENT PLAN



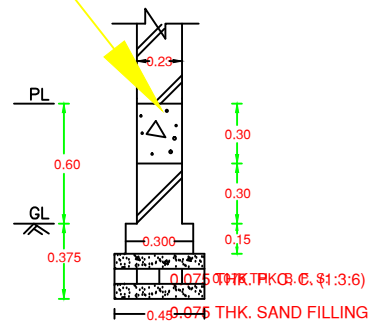
SECTION - D:D



FOUNDATION DETAILS OF COLUMN

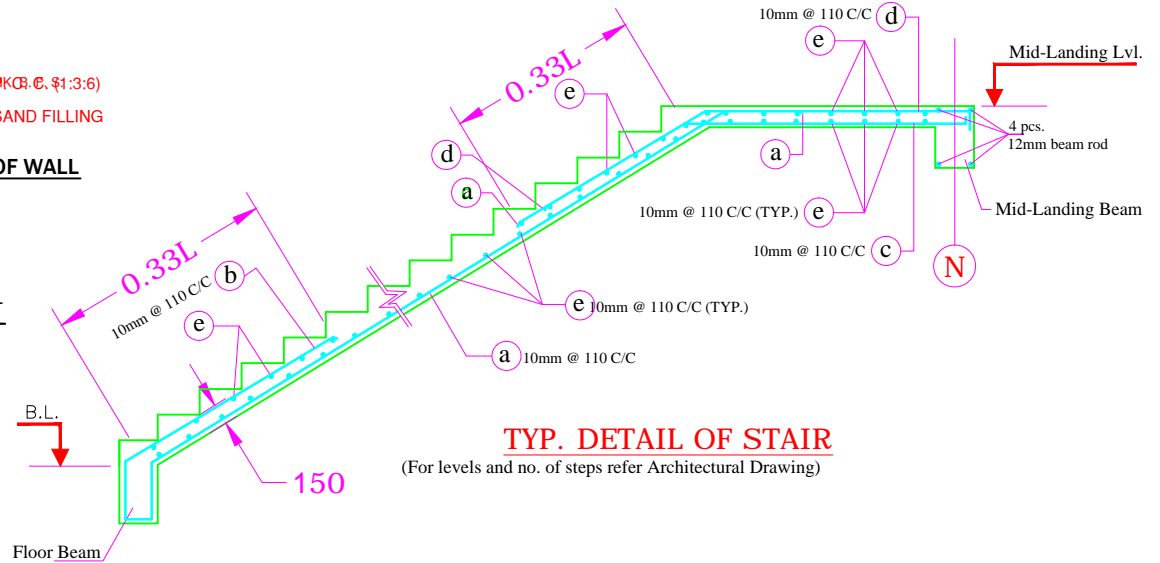


DETAILS OF COLUMN & BEAM



FOUNDATION DETAILS OF WALL

Structure Detail



TYP. DETAIL OF STAIR

(For levels and no. of steps refer Architectural Drawing)