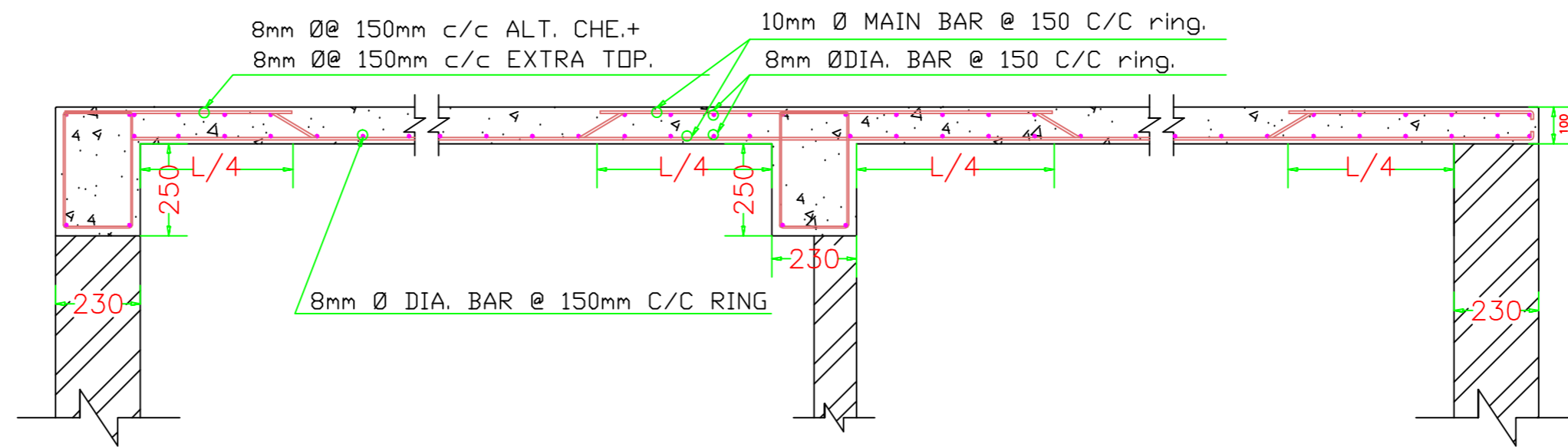
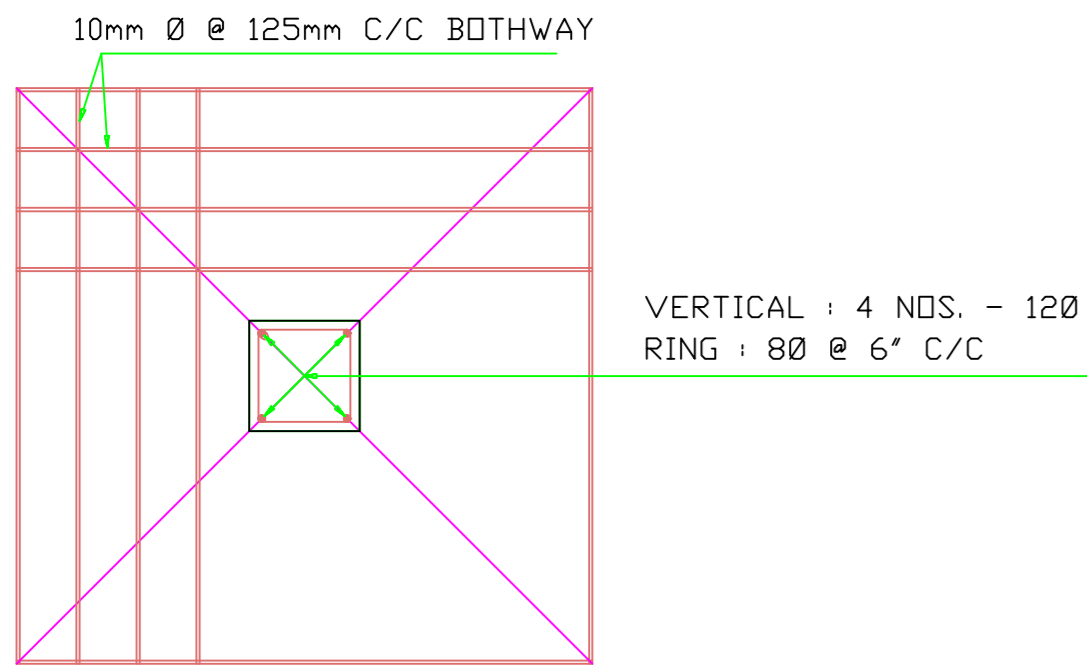
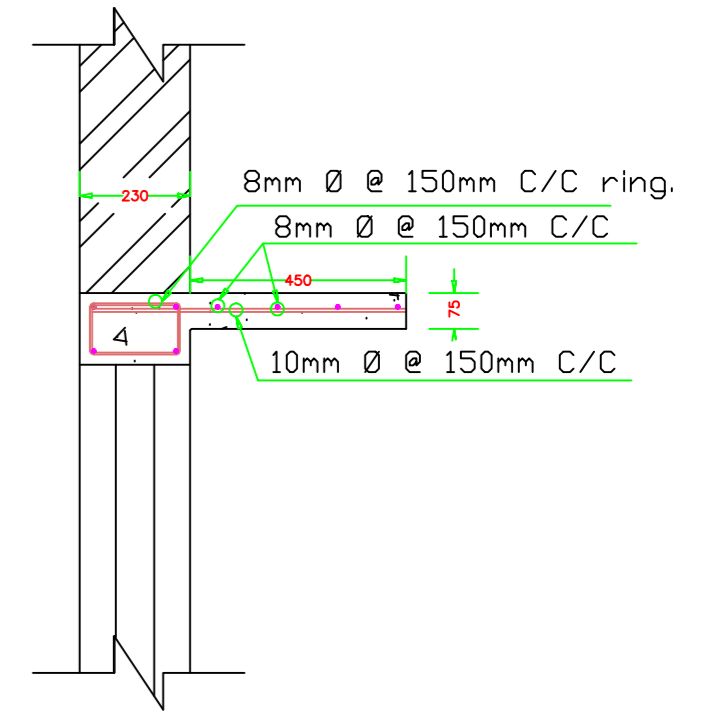


STRUCTURAL DESIGN SAFETY DETAILS.



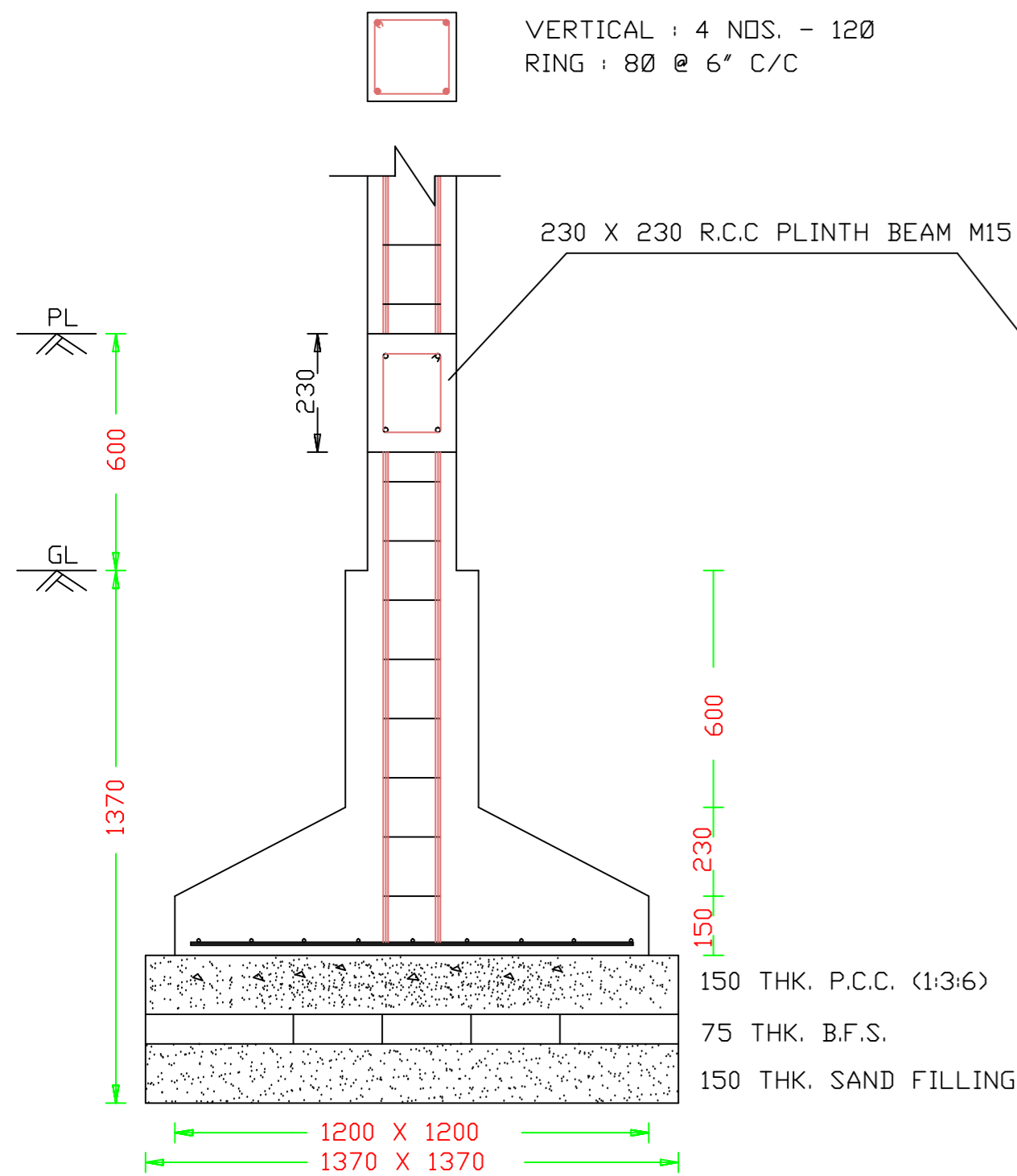
TYPICAL DET. OF R.C.C. SLAB

(Dim in mm)



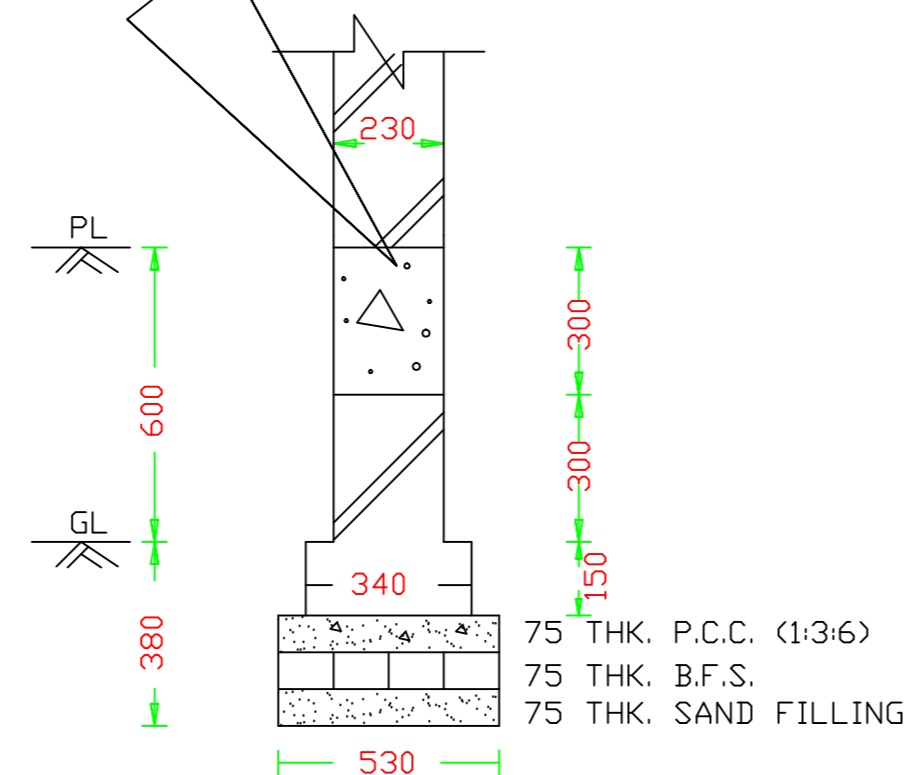
DET. OF R.C.C. CHAJJA

(Dim in mm)



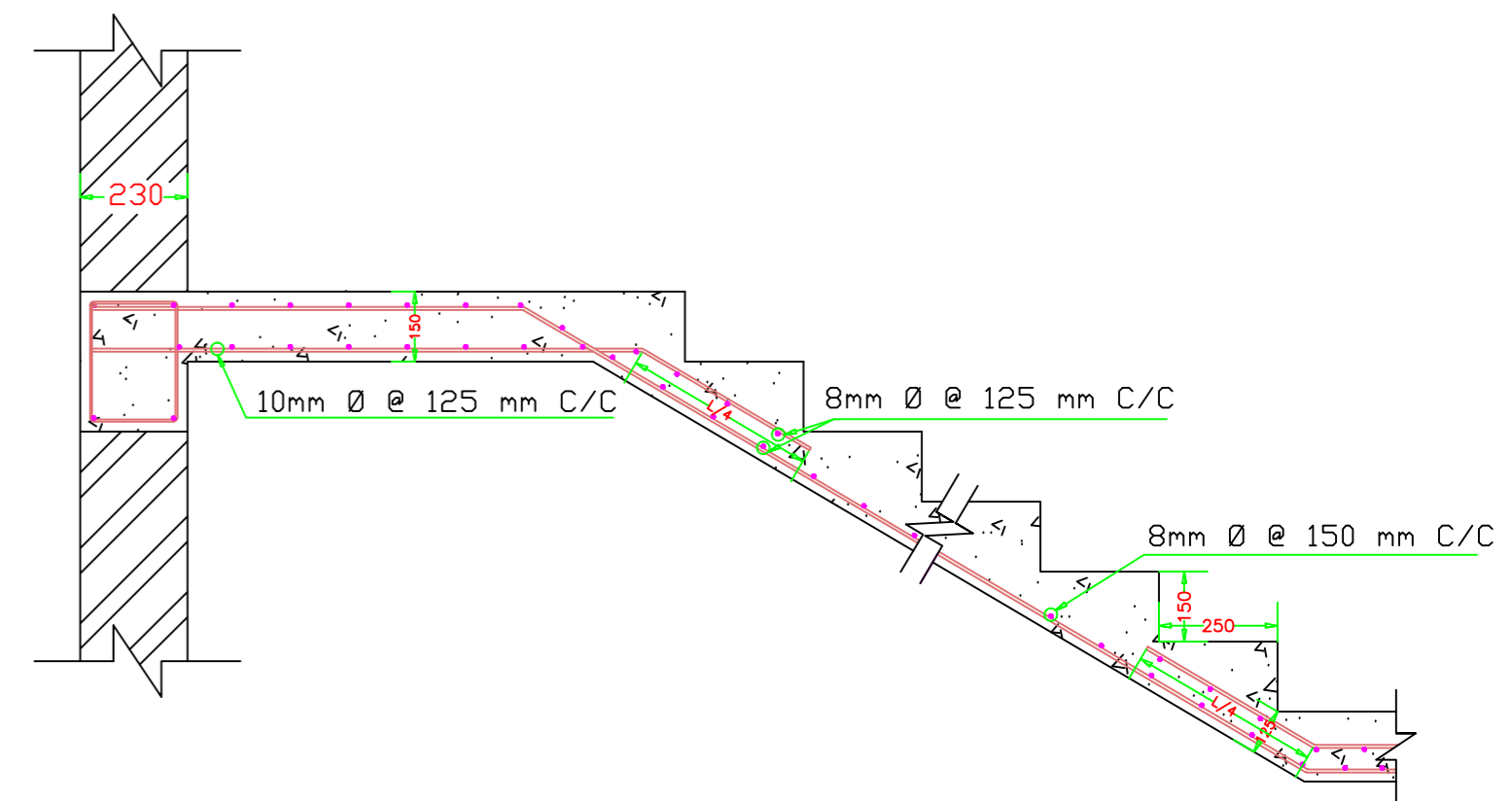
FOUNDATION DETAILS OF COLUMN

(Dim in mm)



FOUNDATION DETAILS OF WALL

(Dim in mm)



DET. OF R.C.C. STAIR

(Dim in mm)

DRAWING OF PROPOSED RESIDENTIAL BUILDING OF 1.Smt. ARPITA SUPKAR, W/o.-Sri. JAI PRAKASH SUPKAR, UNDER MOUZA DHAIYA, NO.-6, KHATA NO.19, PLOT NO. 4191, UNDER P.S. - DHANBAD, DIST.- DHANBAD IN THE STATE OF JHARKHAND.