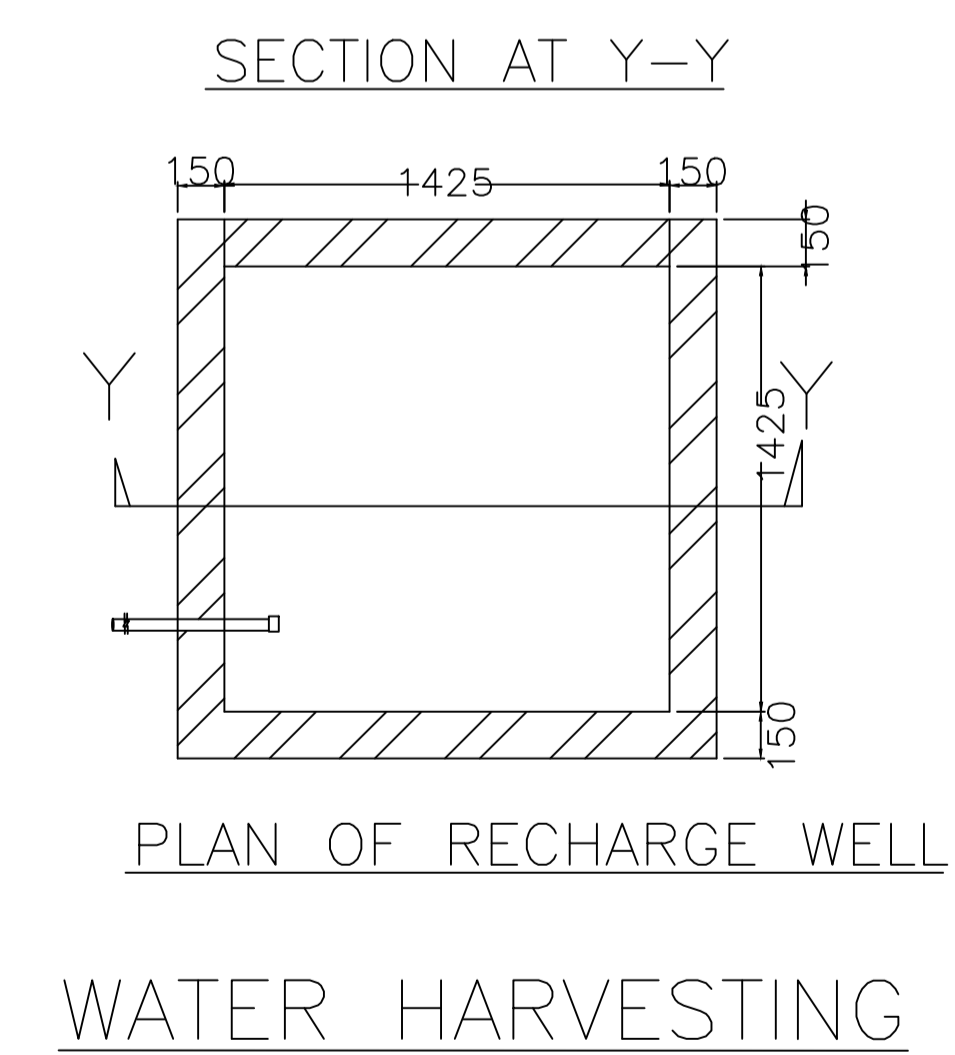
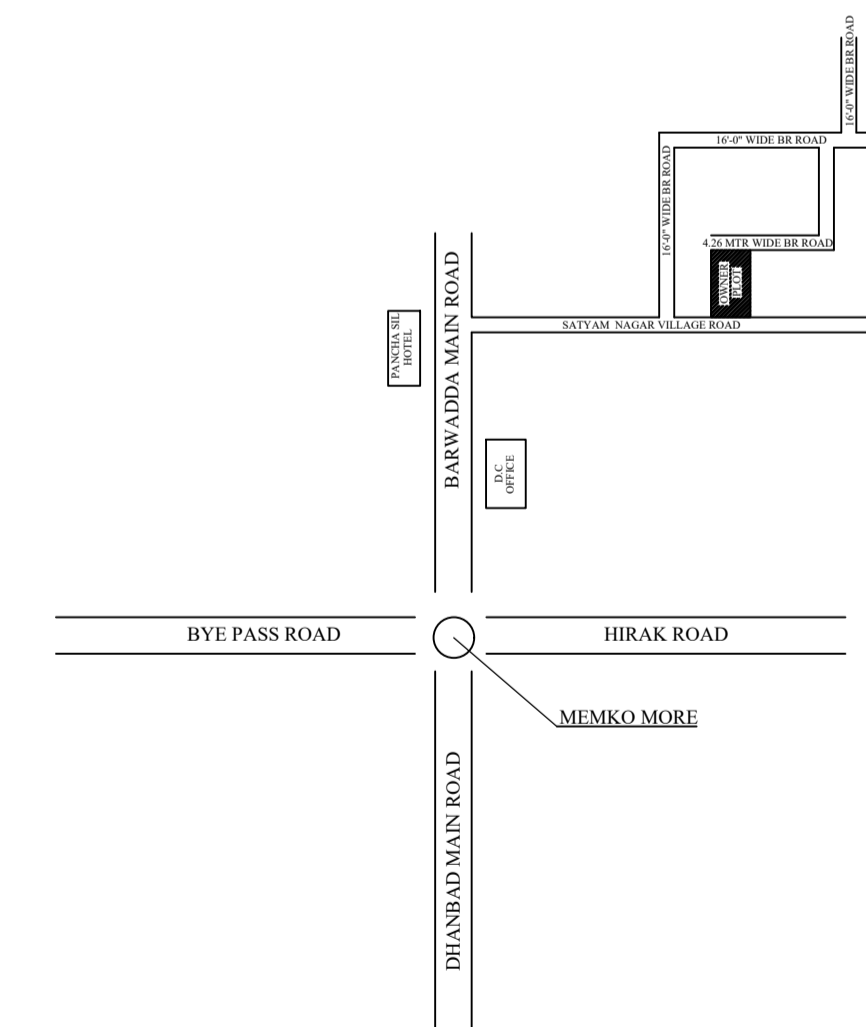
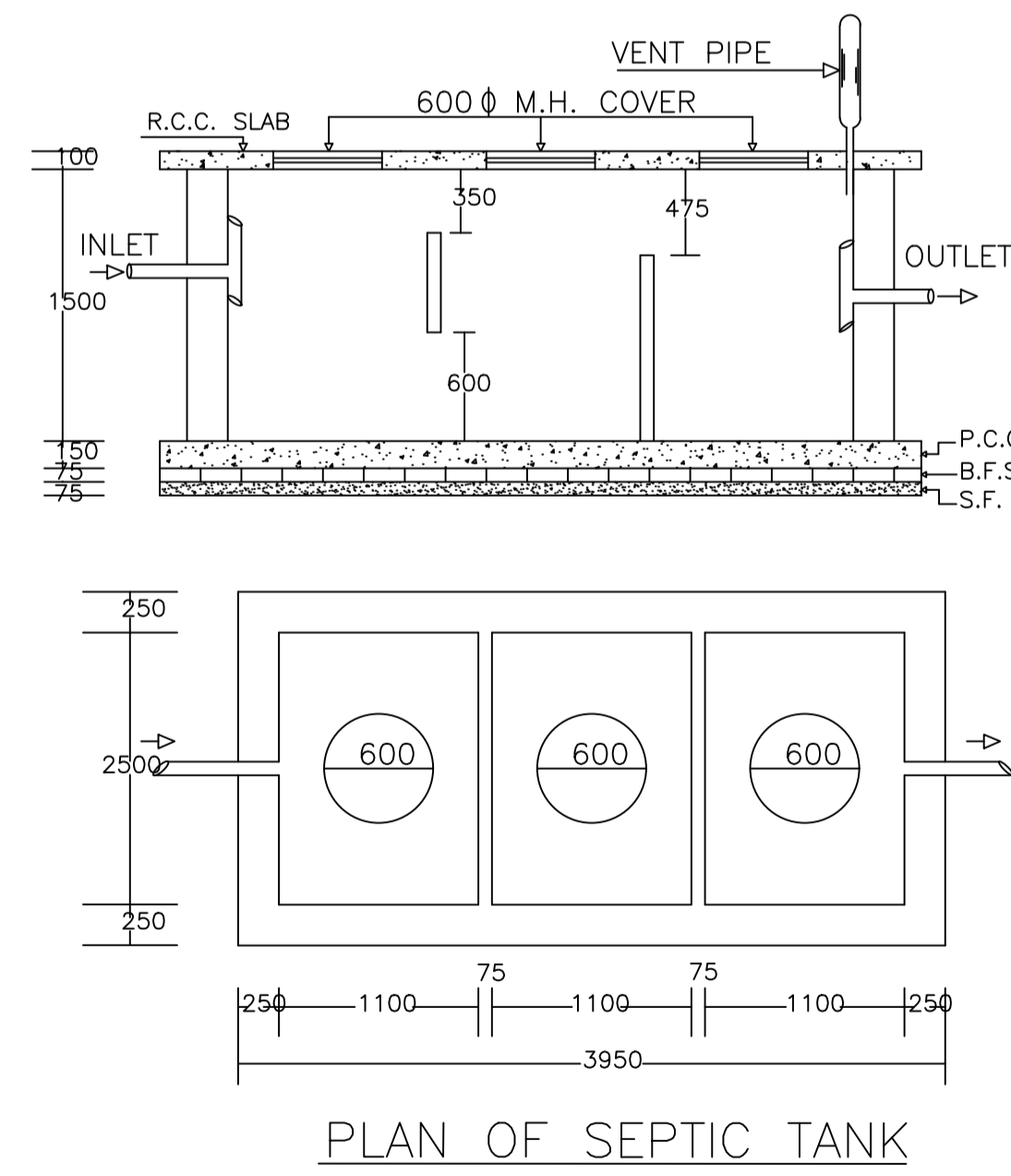
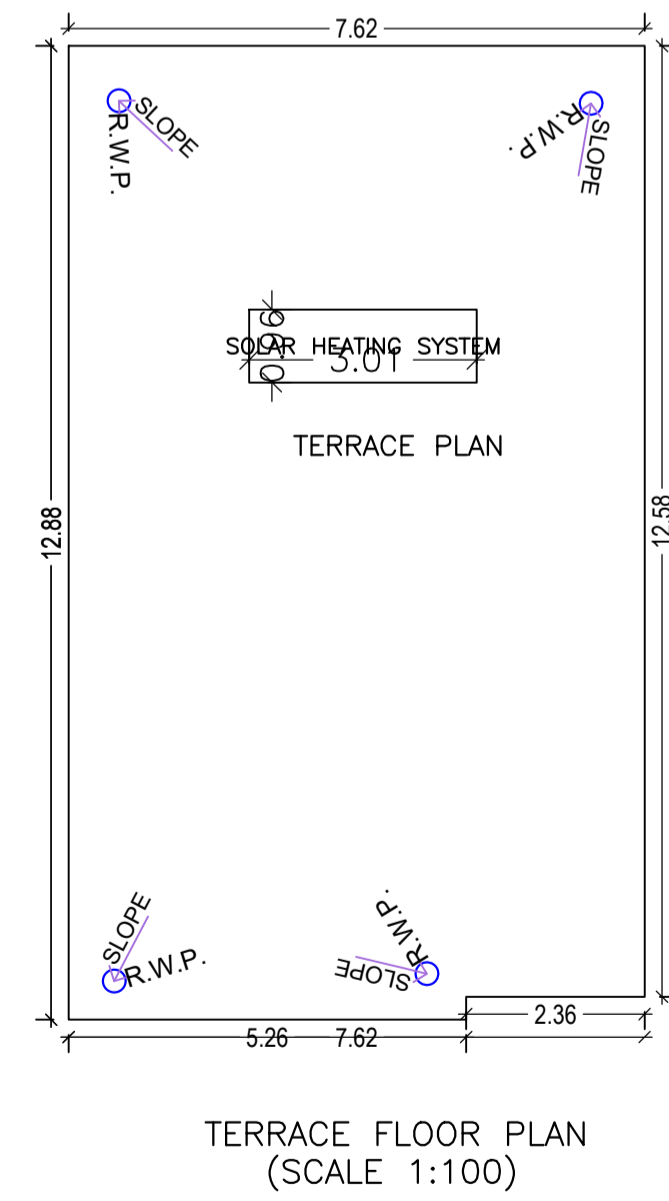
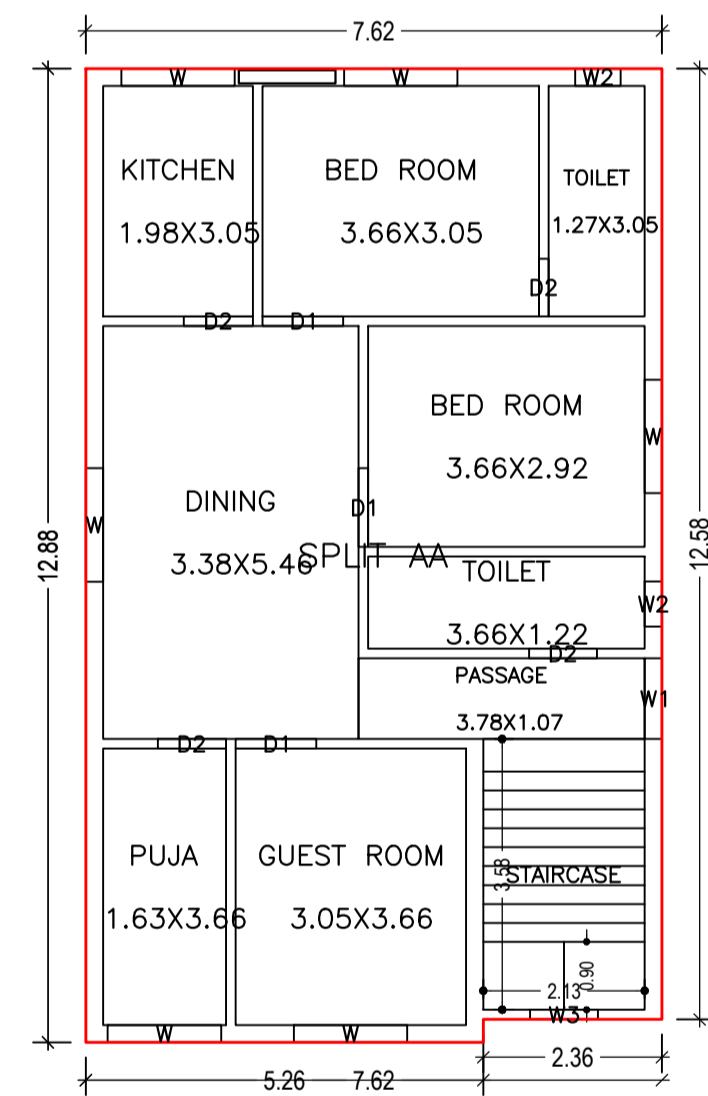
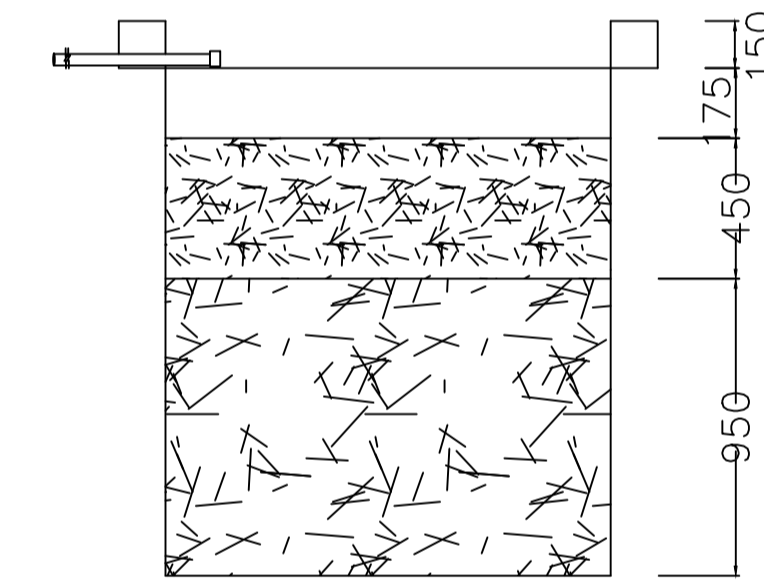
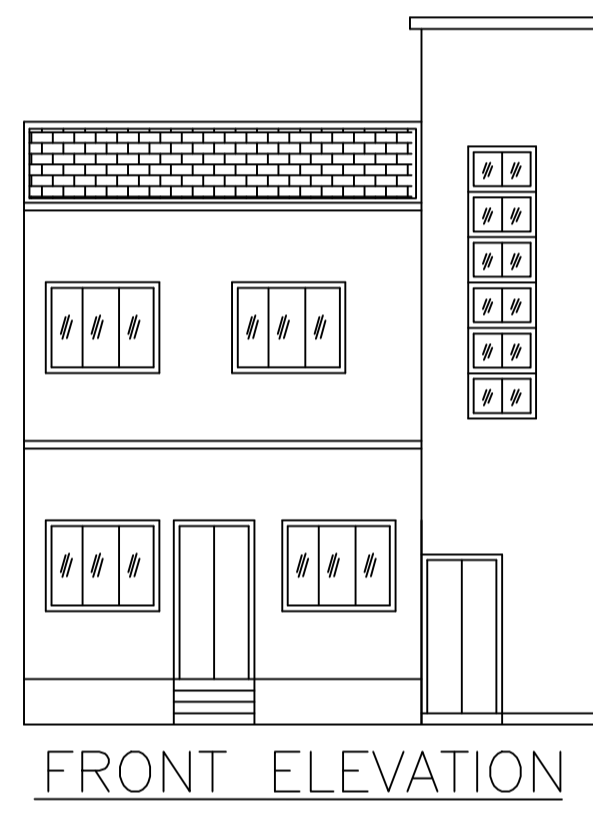
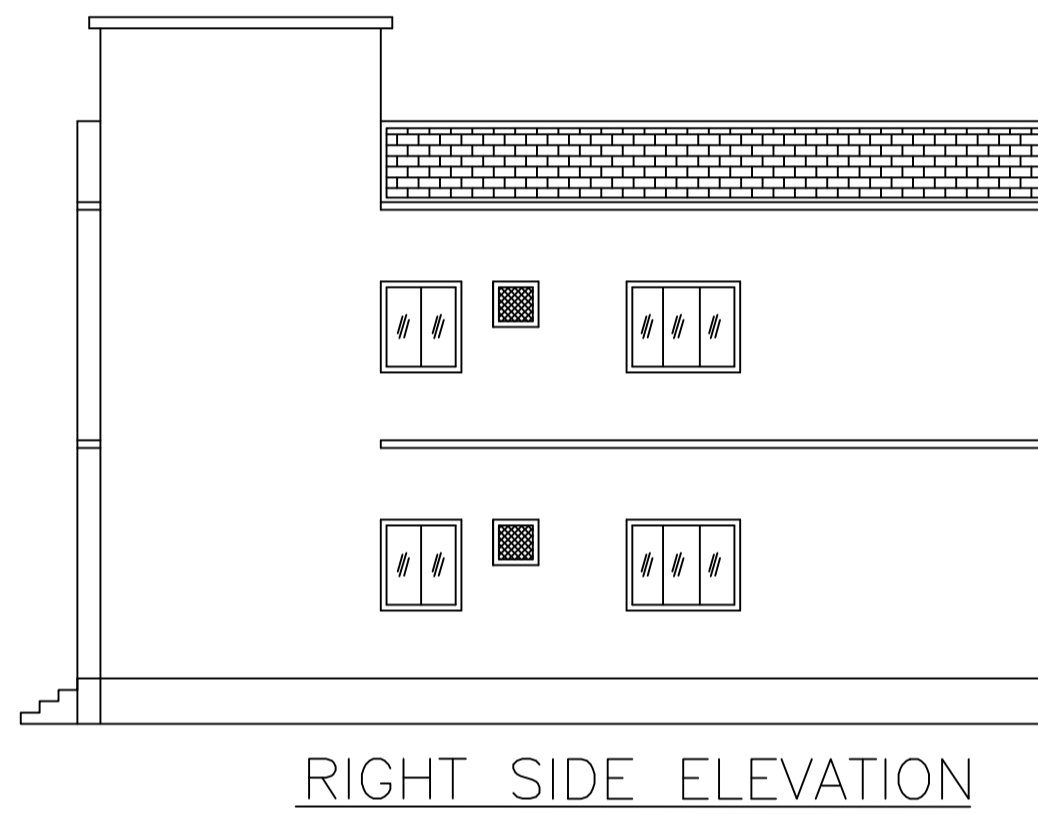
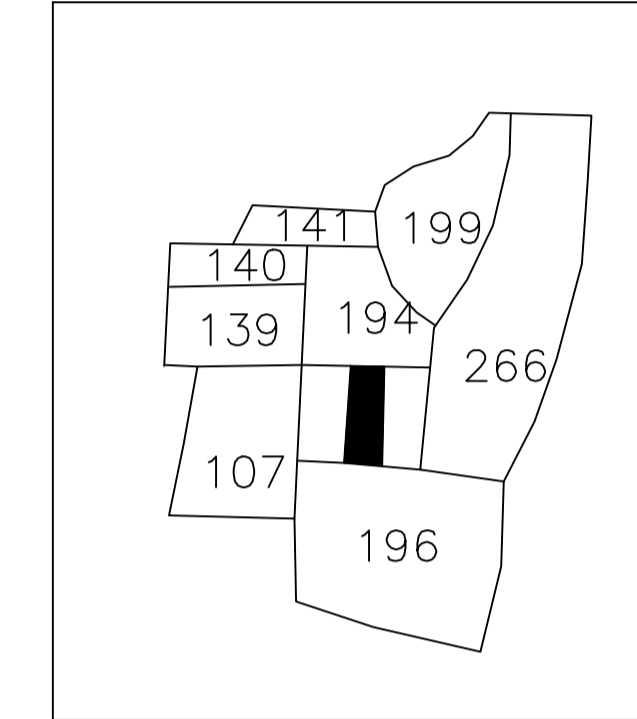
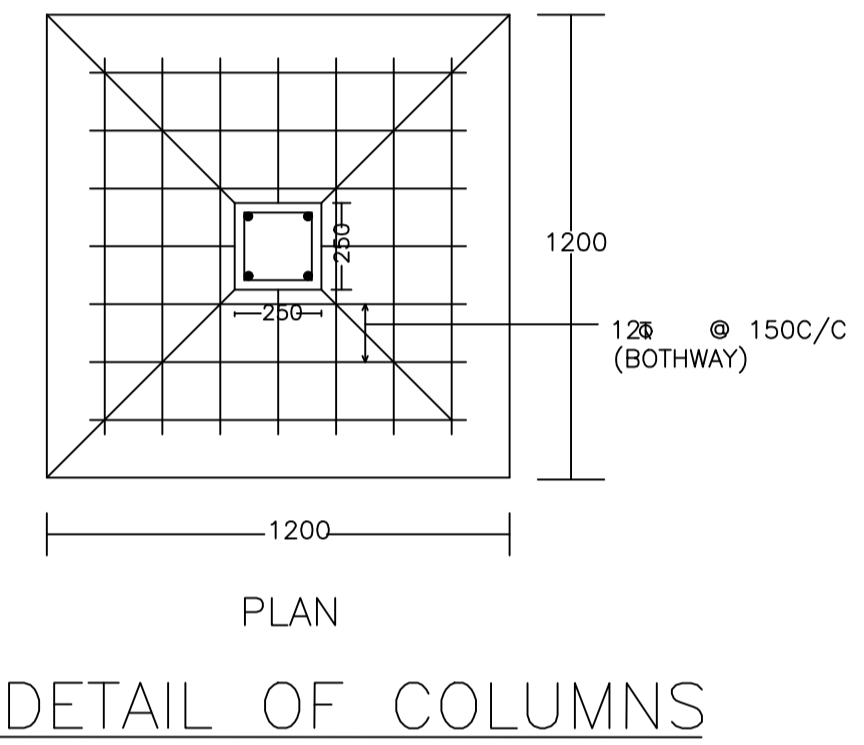
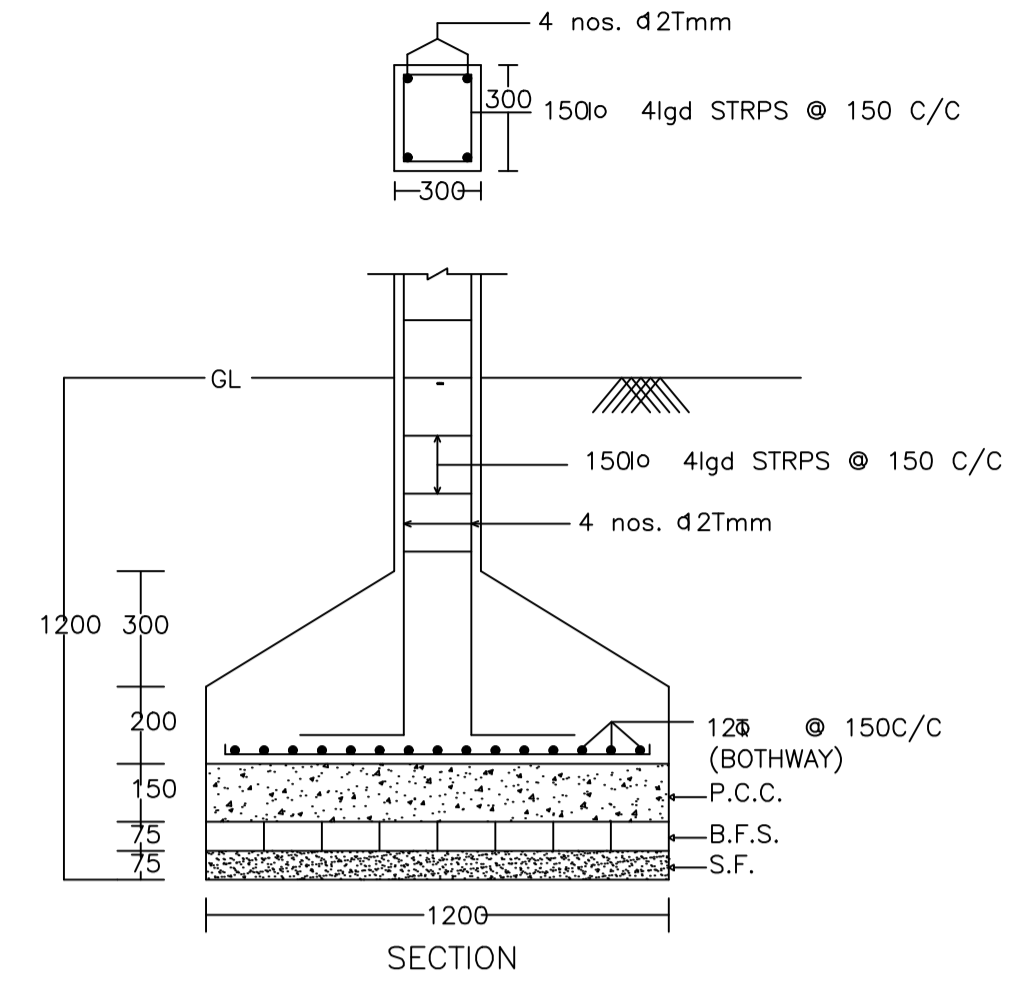
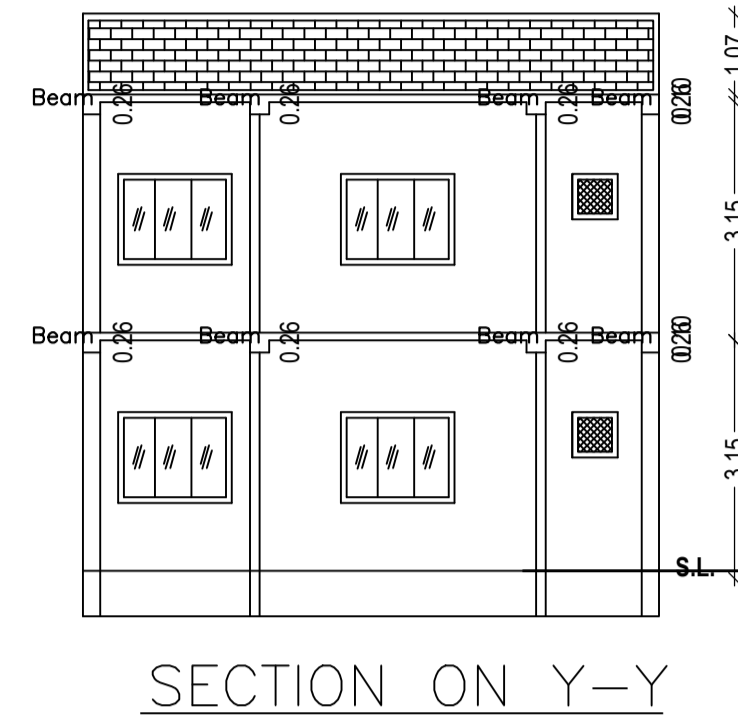
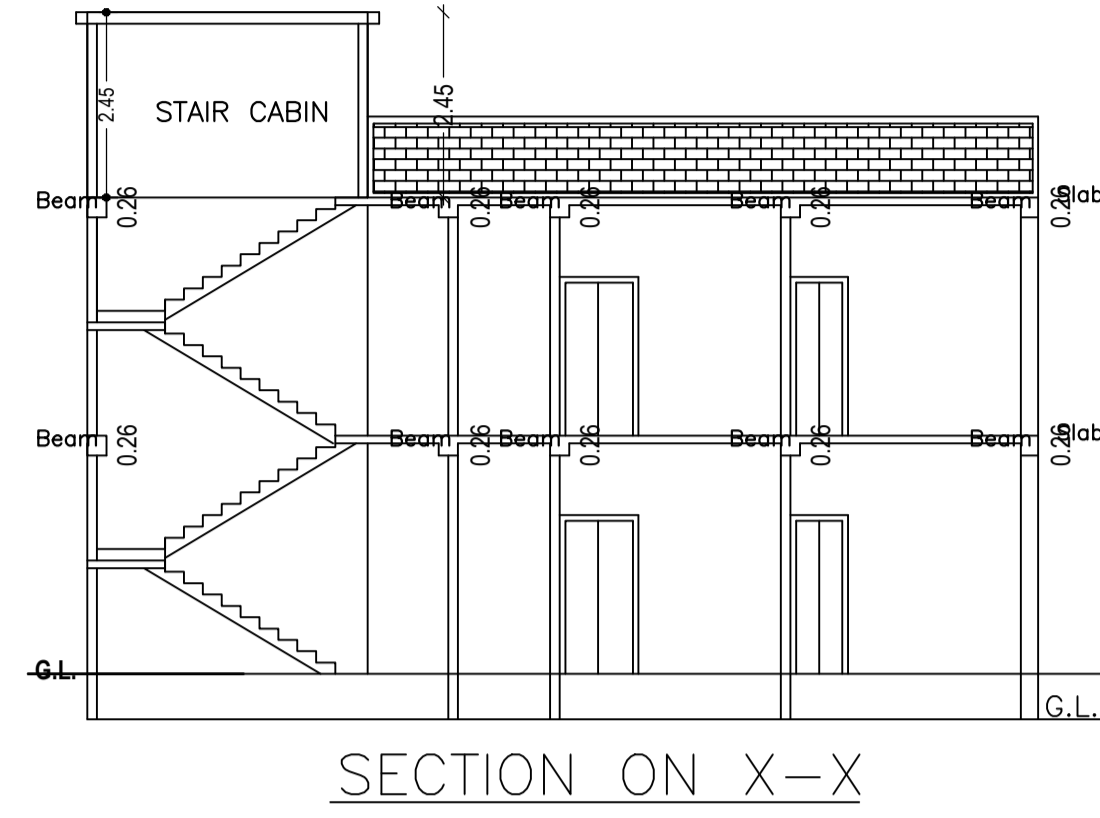
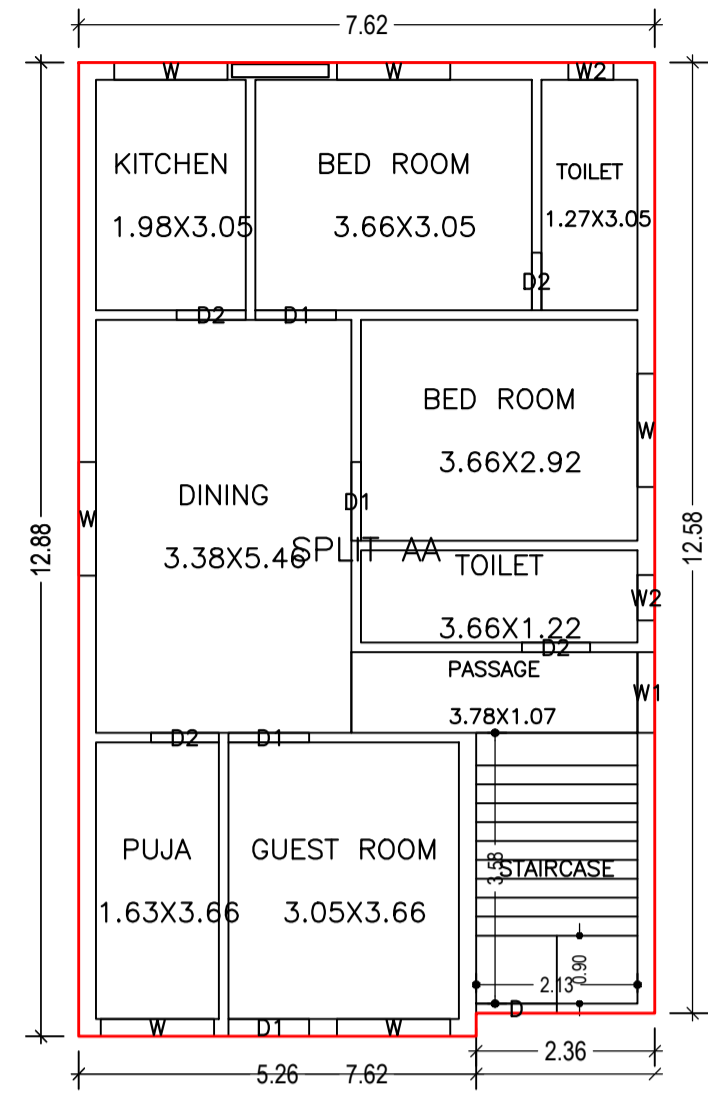


Proposal Basic Information	
Proposal File No.	DMC/EP/0218/W22/2020
Owner Name	SMT. MADHUMITA TIWARI.
Khata No	07 (Old), 125 (New)
Plot No	375 (Old), 195 (New)
Village Name	Susnlewa
Use	Residential
SubUse	Bungalow/ Dwelling / Non Apartment



LTP NAME AND SIGNATURE	STRUCTURAL ENG'S NAME AND SIGNATURE	BUILDER NAME AND SIGNATURE	DIGITAL SIGNATURE
PARTHA - PAL DMC/ENG/0021/2016			