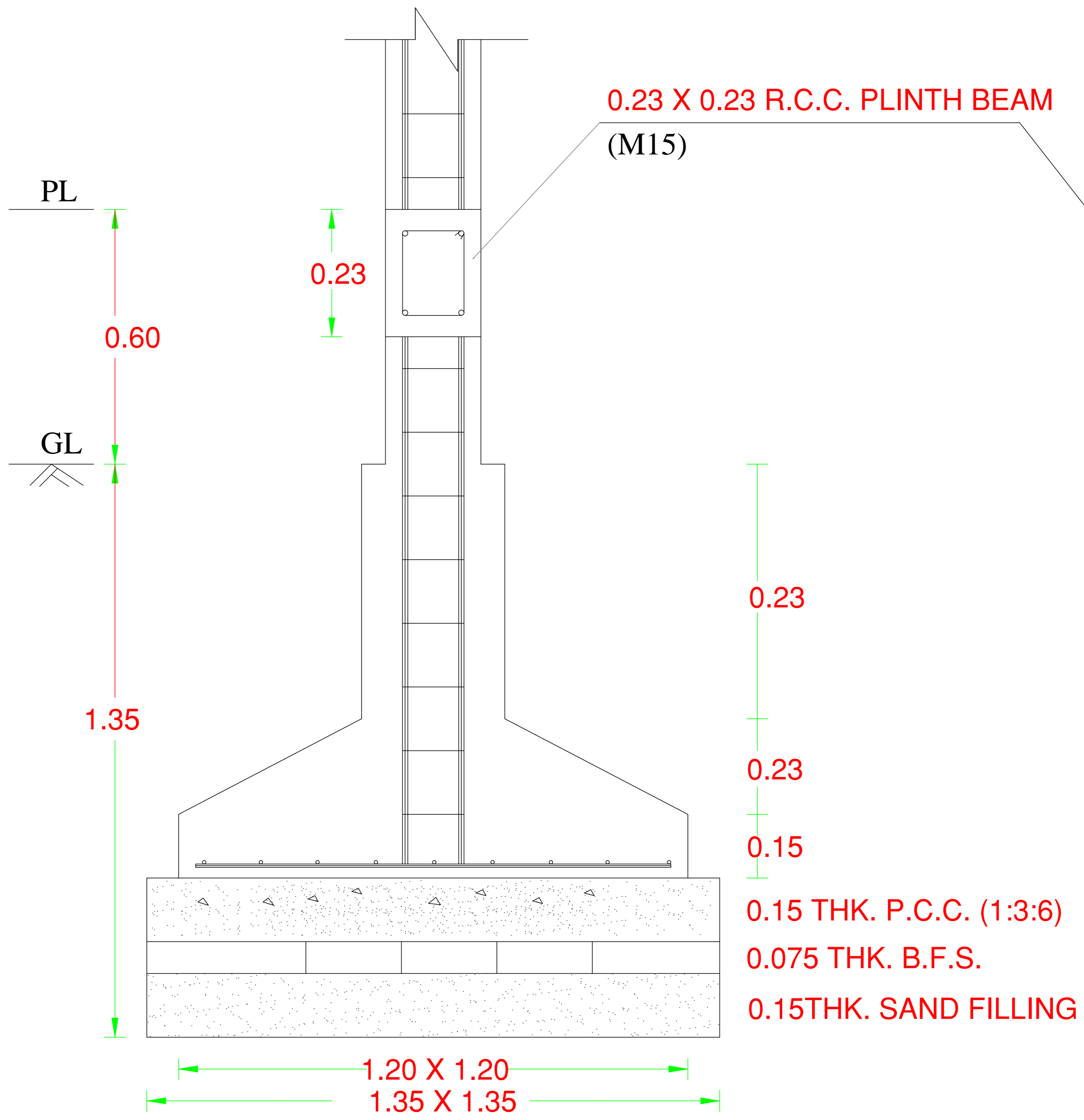
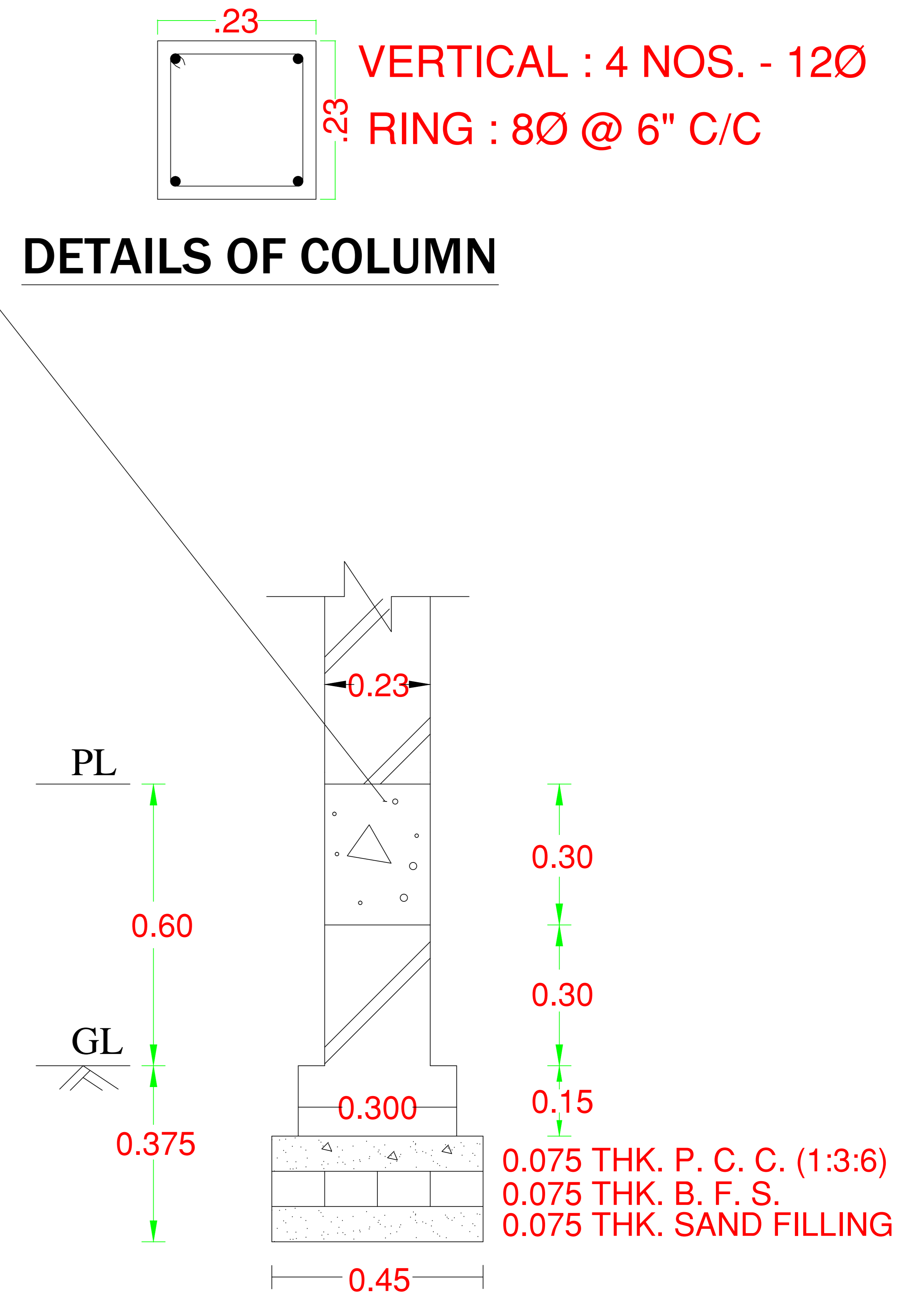


**FOUNDATION PLAN**

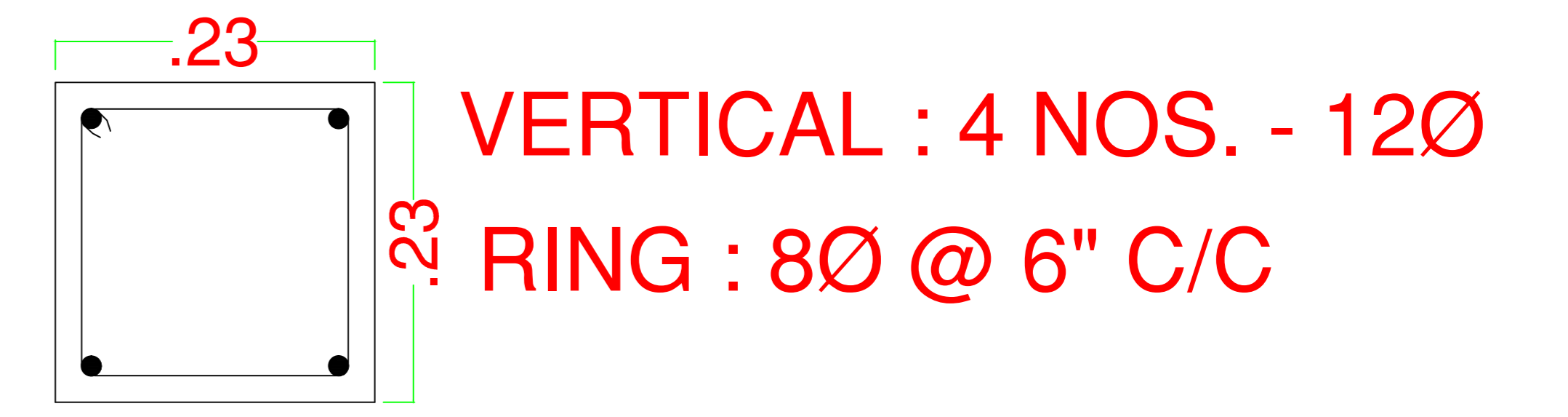


**FOUNDATION DETAILS OF COLUMN**



**FOUNDATION DETAILS OF WALL**

**DETAILS OF COLUMN**



Structure Detail