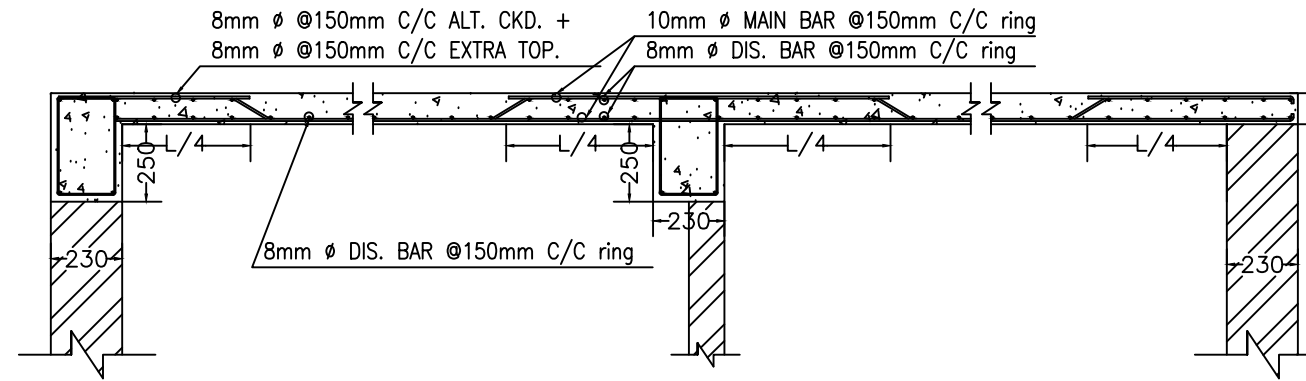
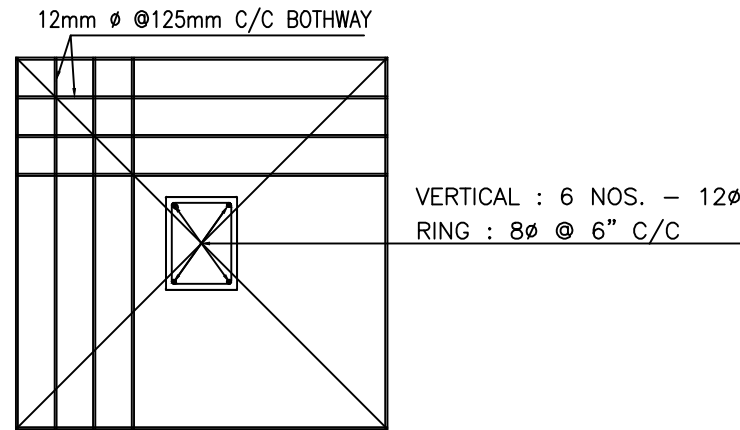
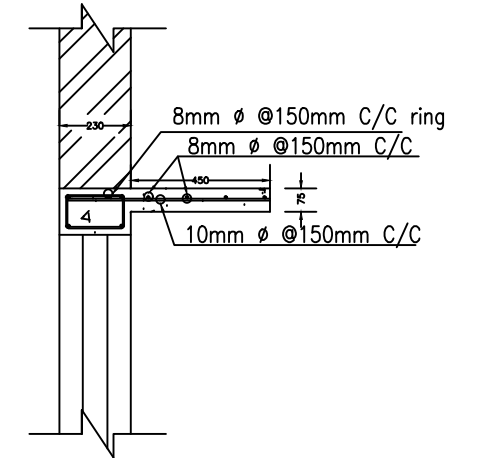


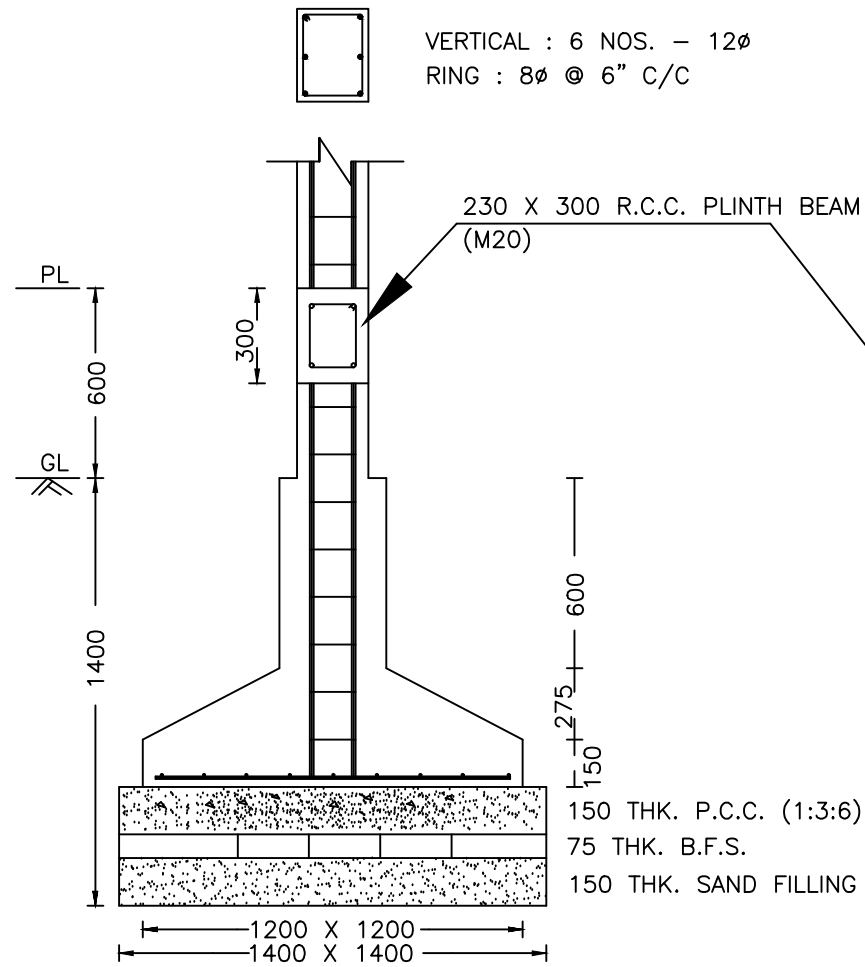
# STRUCTURAL DESIGN SAFETY DETAILS



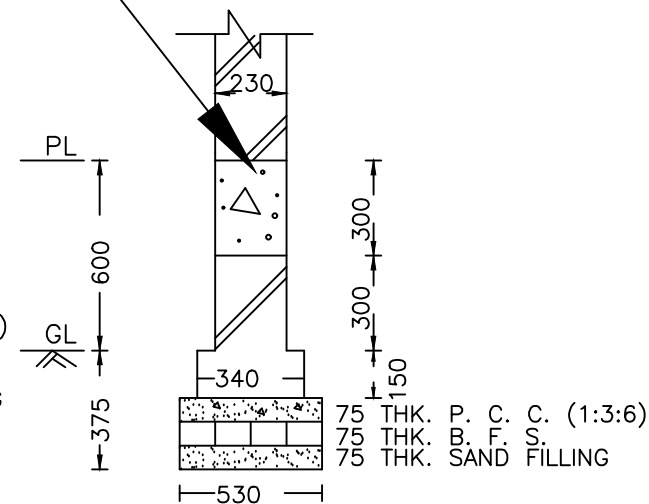
**TYPICAL DET. OF R.C.C. SLAB**



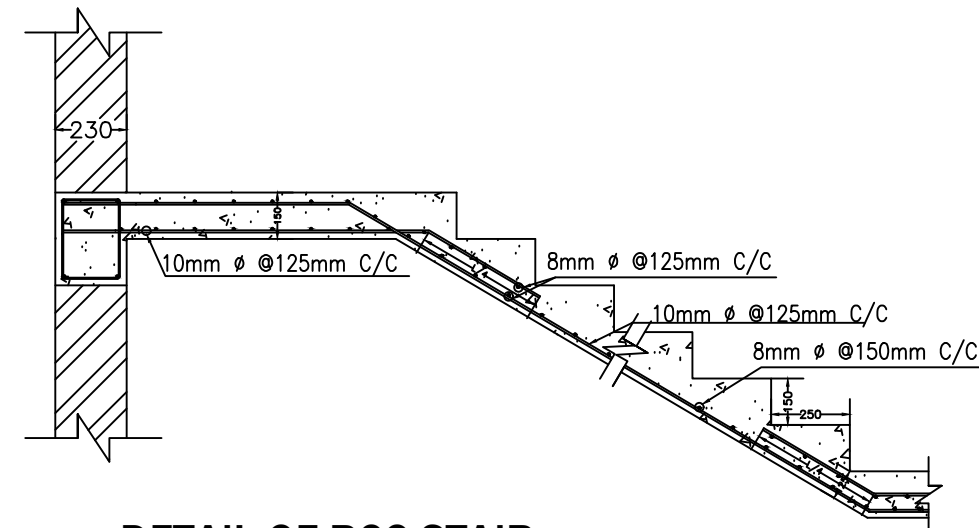
**DET. OF R.C.C. CHAJJA**



**FOUNDATION DETAILS OF COLUMN**



**FOUNDATION DETAILS OF WALL**



**DETAIL OF RCC STAIR**

DRAWING OF PROPOSED STRUCTURAL DETAILS OF RESIDENTIAL BUILDING OF SRI CHANDAN KUMAR SHRIVASTAVA S/O LATE RADHA KRISHNA PRASAD SHRIVASTAVA UNDER MOUZA KOLAKUSMA, MOUZA NO. 12, KHATA NO. NEW 258 (OLD 69), PLOT NO. : NEW 2641 (OLD-2056) UNDER PS SARAIHELIA DIST. DHANBAD, IN THE STATE OF JHARKHAND