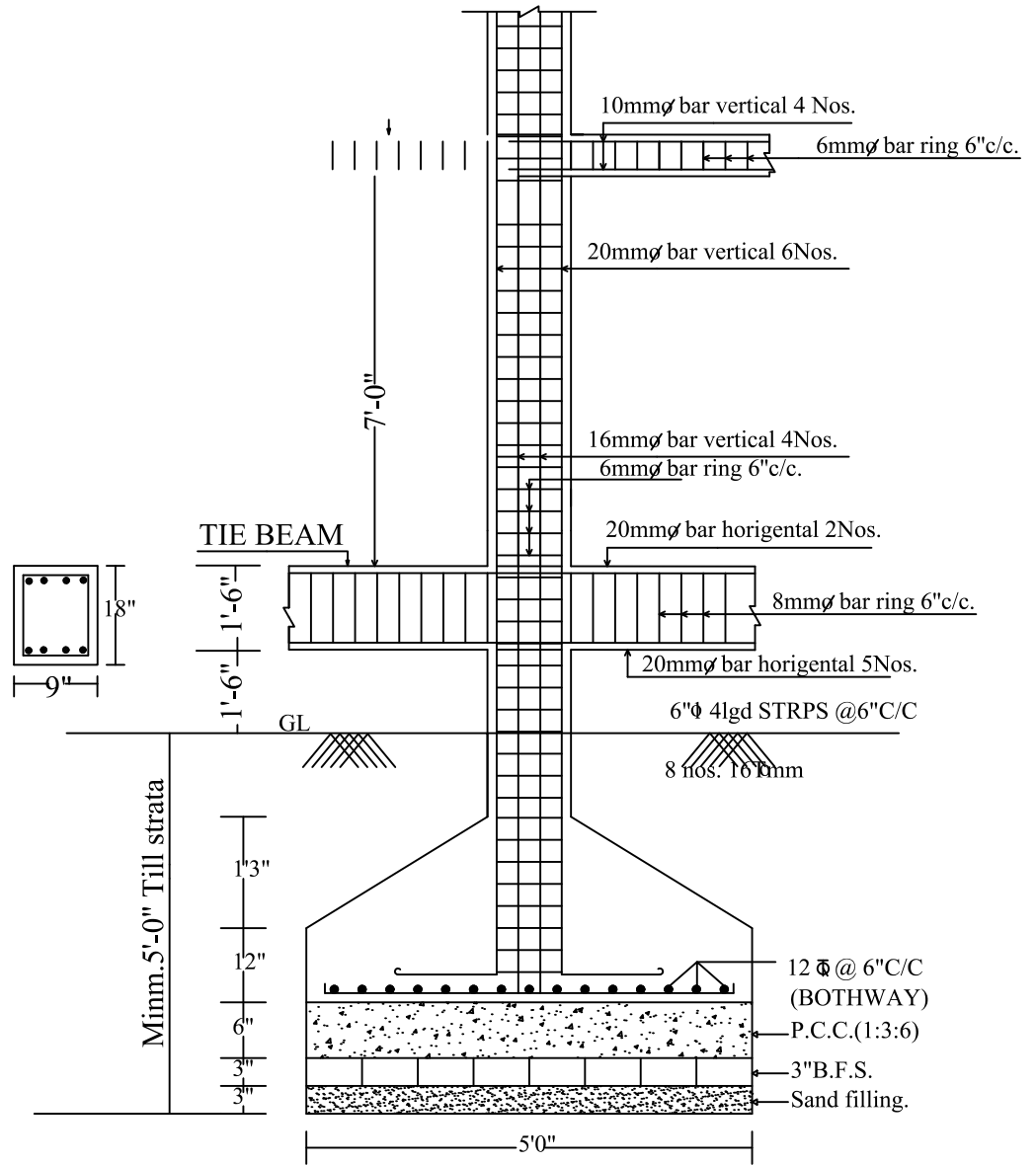
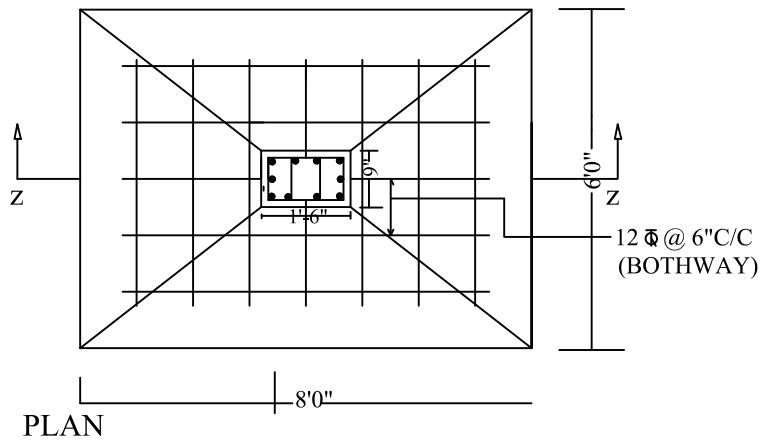


ROOF BEAM



SECTION ON Z-Z



PLAN

DETAIL OF COLUMNS