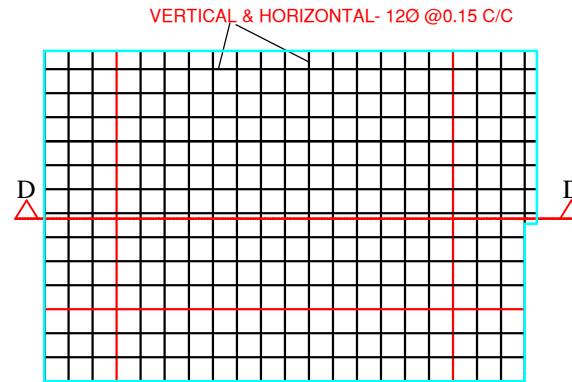
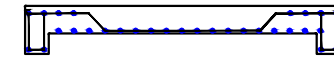
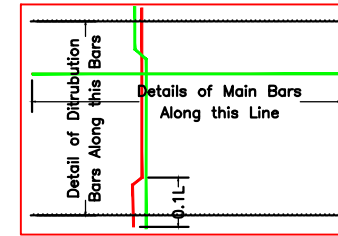


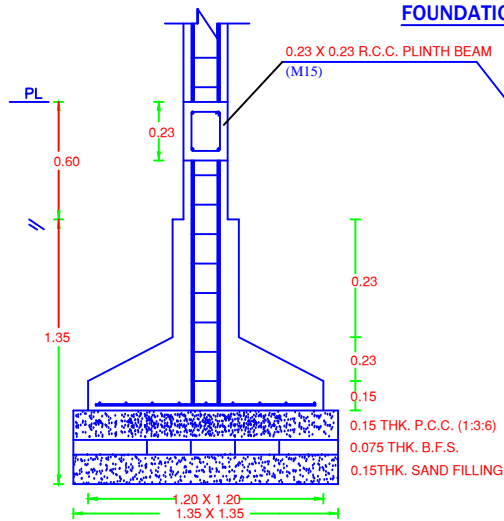
FOUNDATION PLAN



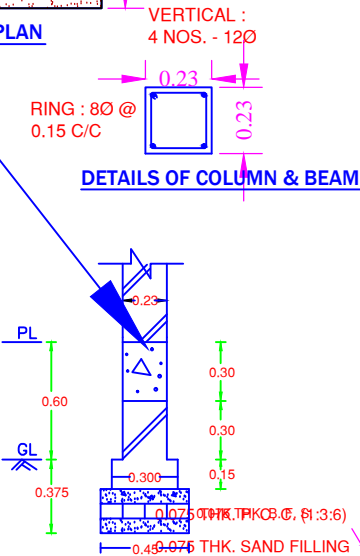
BOTTOM REINFORCEMENT PLAN



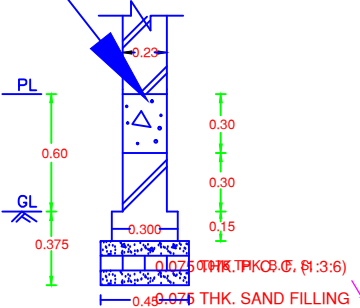
SECTION - D:D



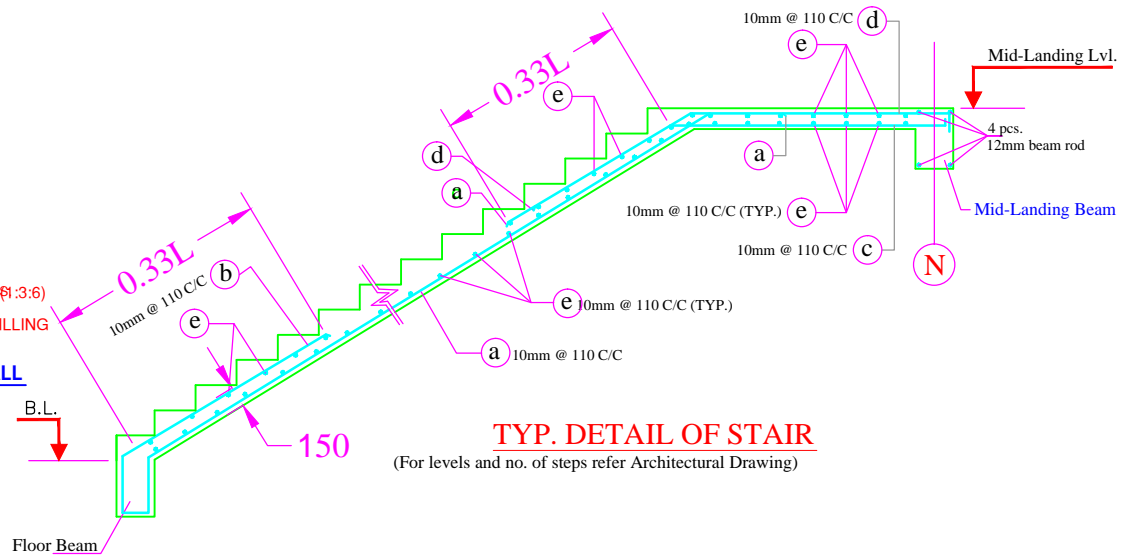
FOUNDATION DETAILS OF COLUMN



DETAILS OF COLUMN & BEAM



FOUNDATION DETAILS OF WALL



TYP. DETAIL OF STAIR

(For levels and no. of steps refer Architectural Drawing)

Structure Detail