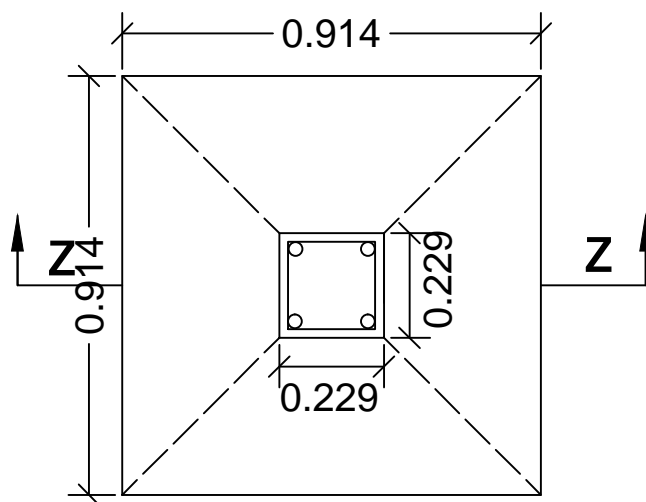


SECTION ON- ZZ

SCALE - 1:25



PLAN

DETAILS OF COLUMN FOOTING

SCALE - 1:25