

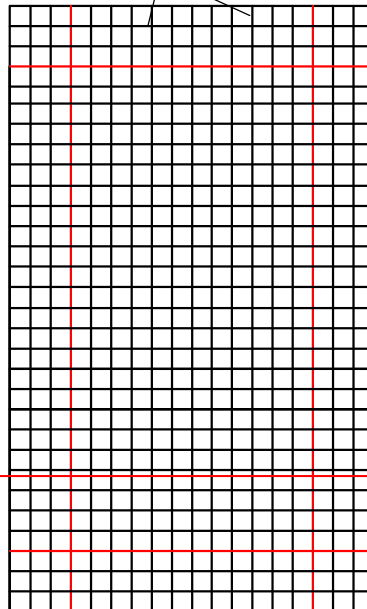
**FOUNDATION PLAN**

VERTICAL :  
4 NOS. - 12Ø

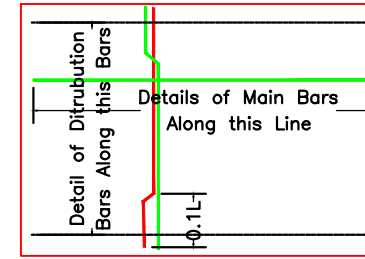
RING : 8Ø @  
0.15 C/C

**DETAILS OF COLUMN & BEAM**

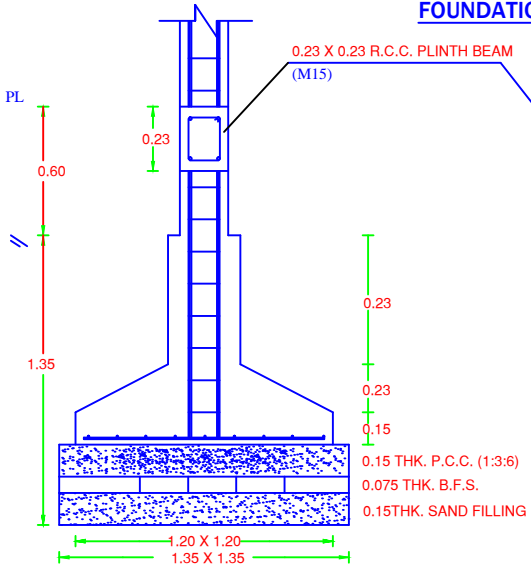
VERTICAL & HORIZONTAL- 12Ø @0.15 C/C



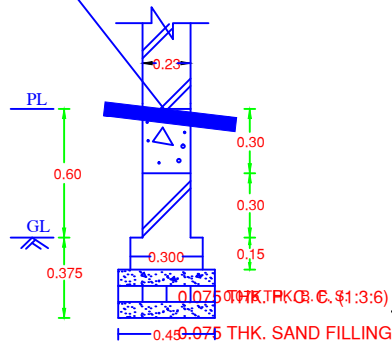
**BOTTOM REINFORCEMENT PLAN**



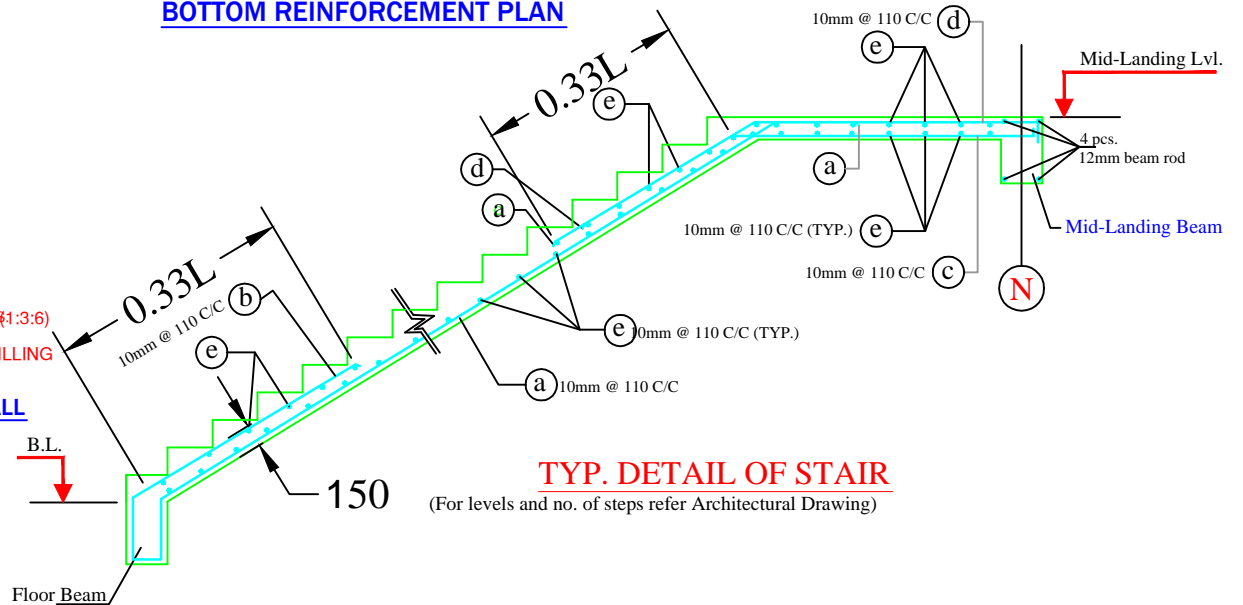
**SECTION - D:D**



**FOUNDATION DETAILS OF COLUMN**



**FOUNDATION DETAILS OF WALL**



**TYP. DETAIL OF STAIR**

(For levels and no. of steps refer Architectural Drawing)

# Structure Detail