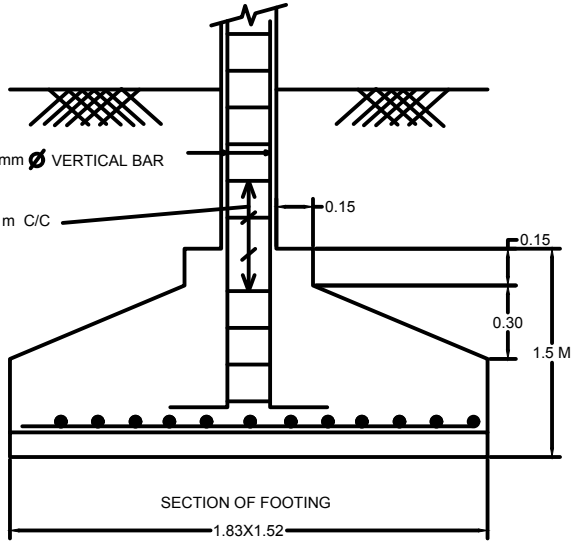
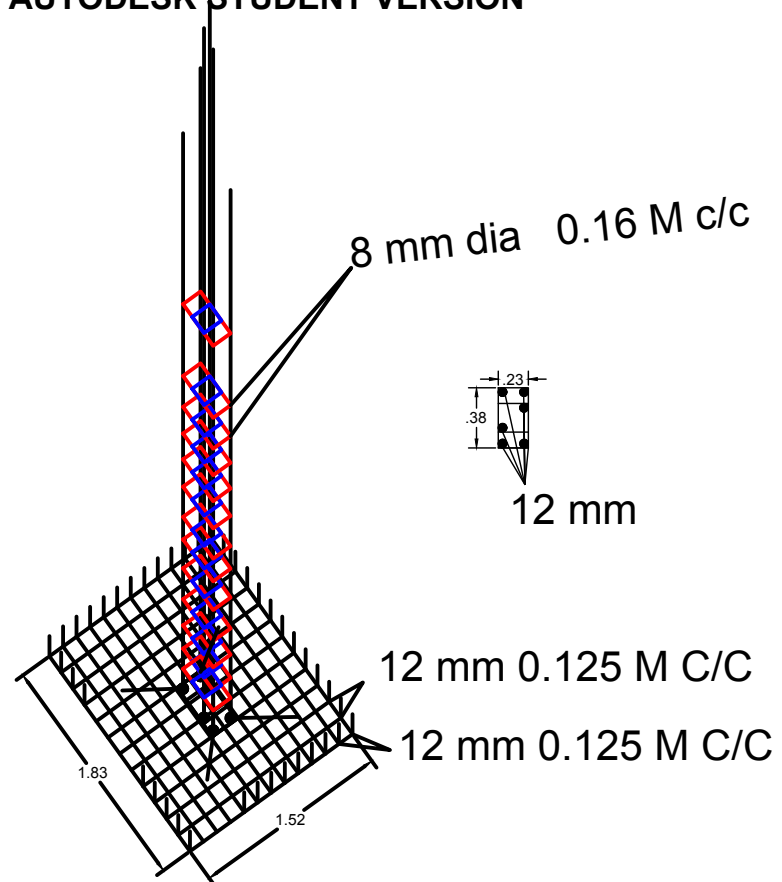


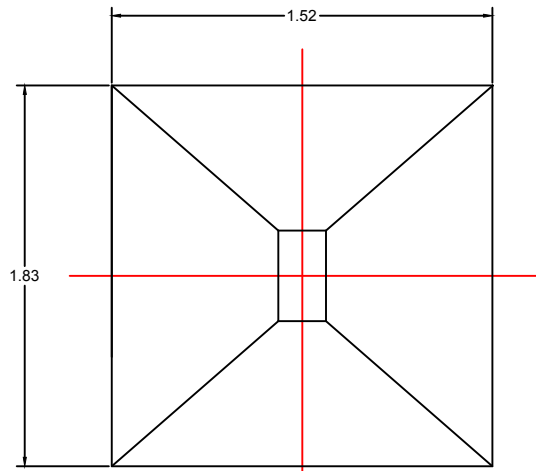
SECTION OF COLUMN



SECTION OF FOOTING

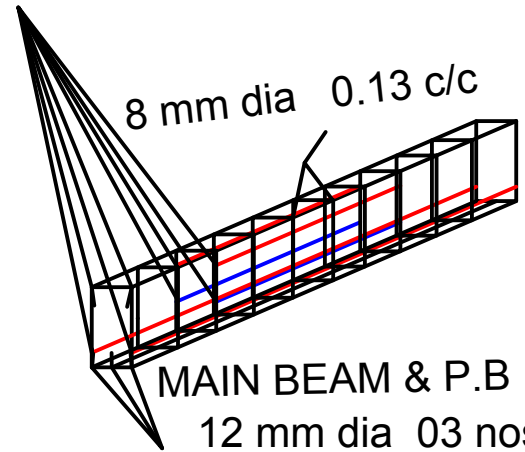


SKELTON OF COLUMN



TYPICAL LAYOUT PLAN

10 mm dia 08 nos



MAIN BEAM & P.B

12 mm dia 03 nos

10 mm \varnothing @ 200 mm c/c