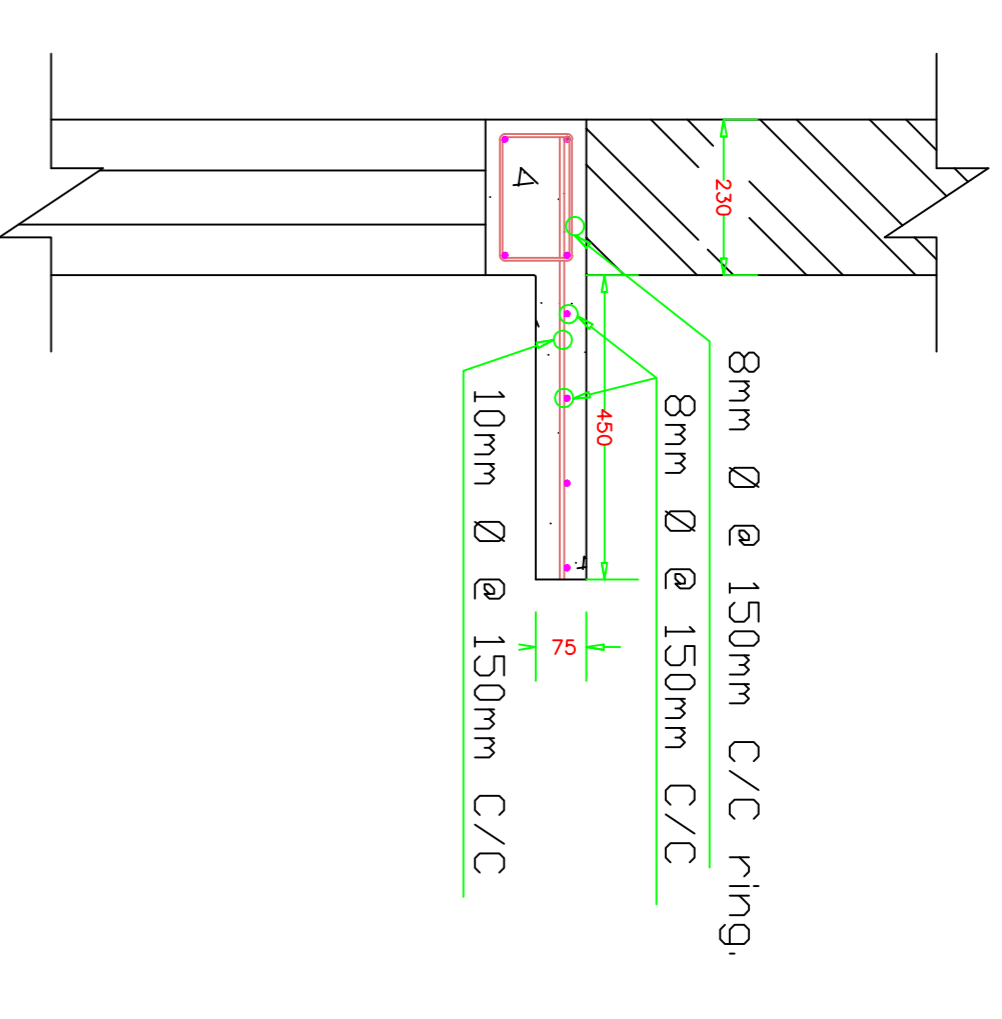
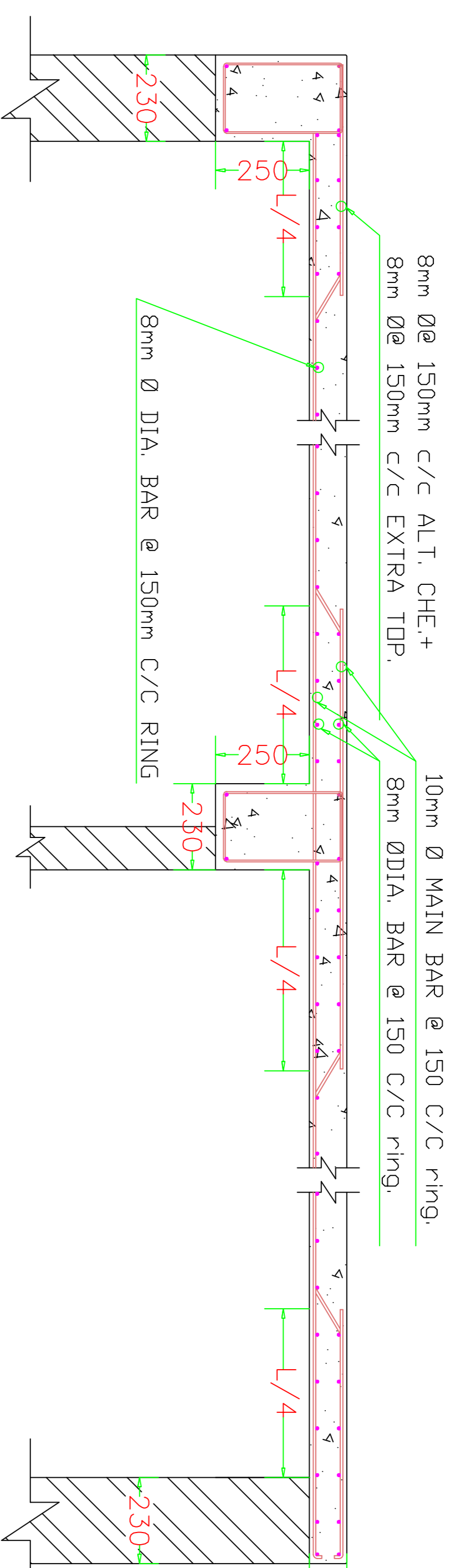
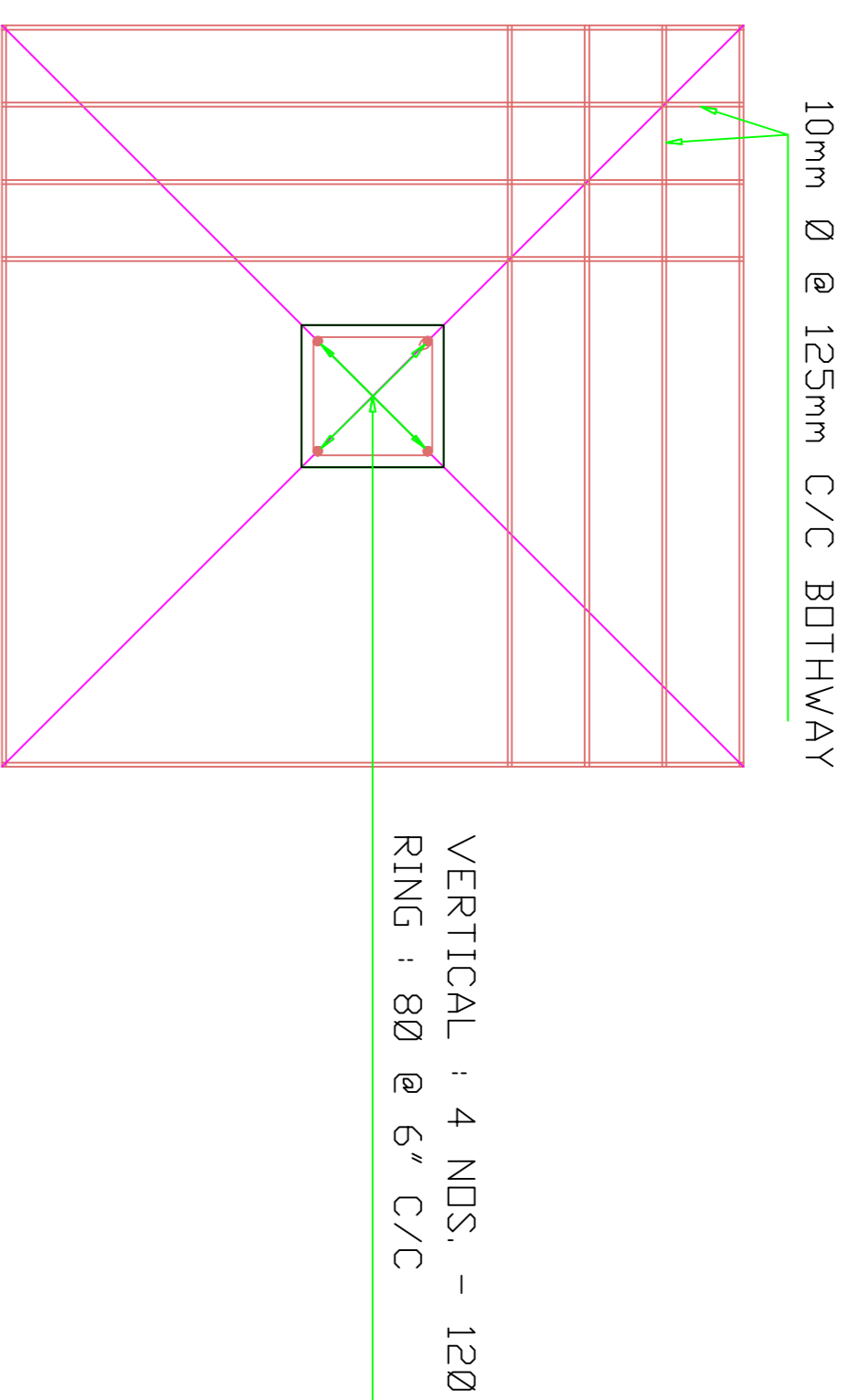


STRUCTURAL DESIGN SAFETY DETAILS.

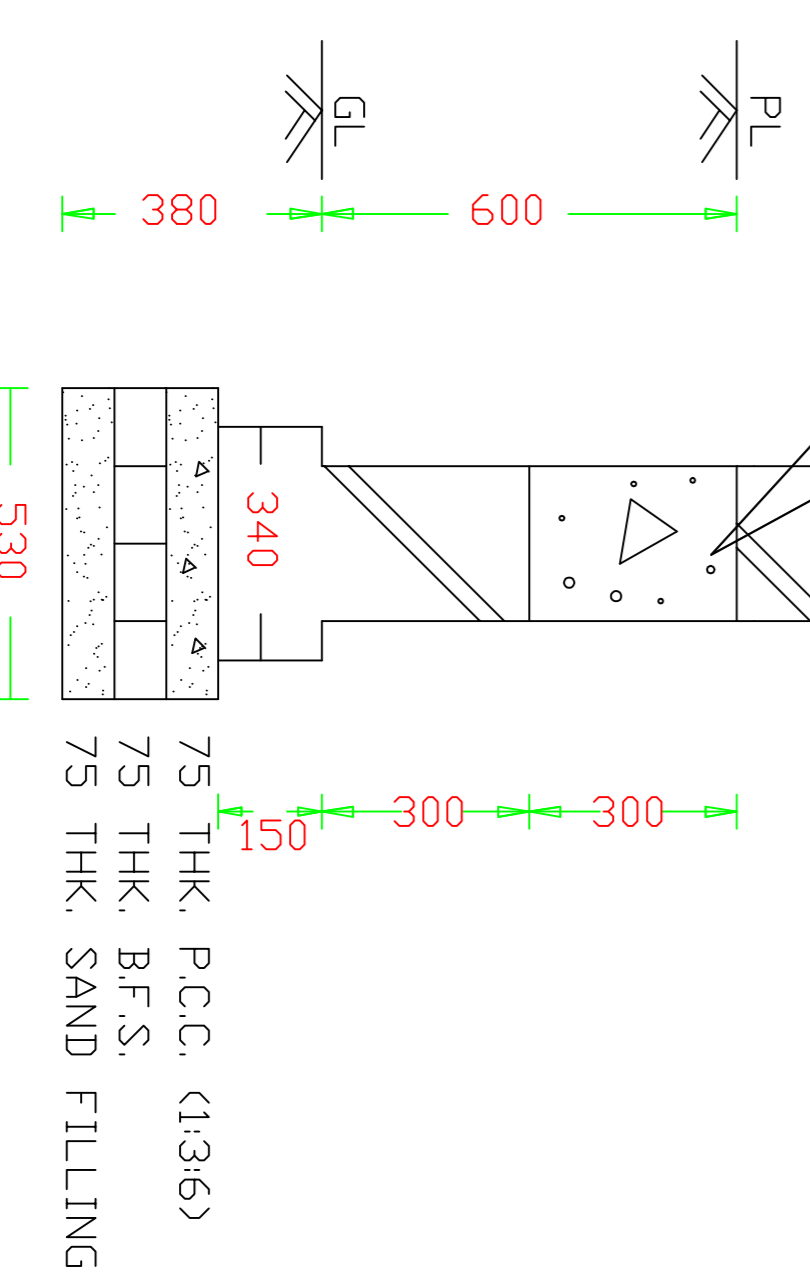
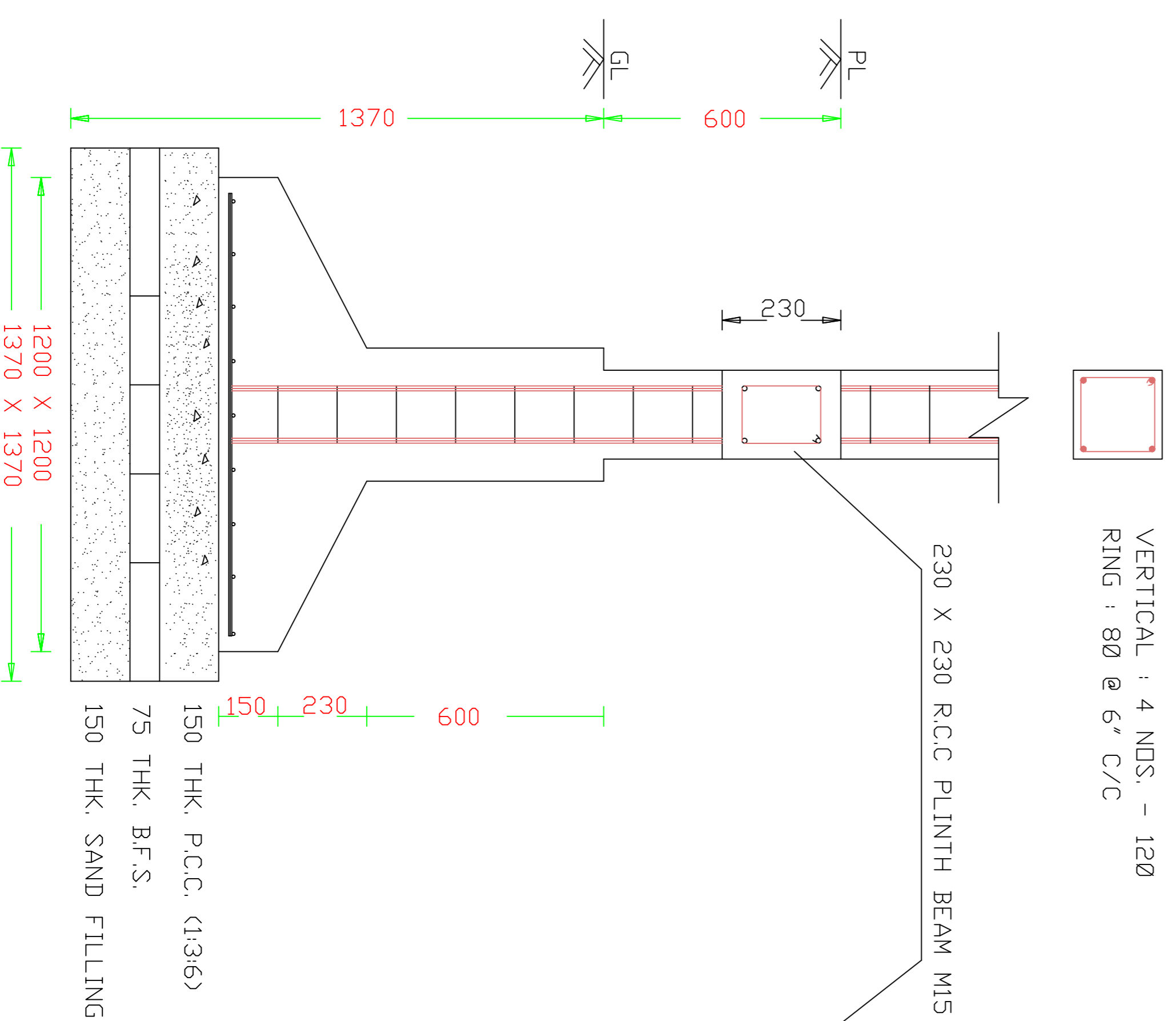


TYPICAL DET. OF R.C.C. SLAB

<Dim in mm>

DET. OF R.C.C. CHAJJA

<Dim in mm>

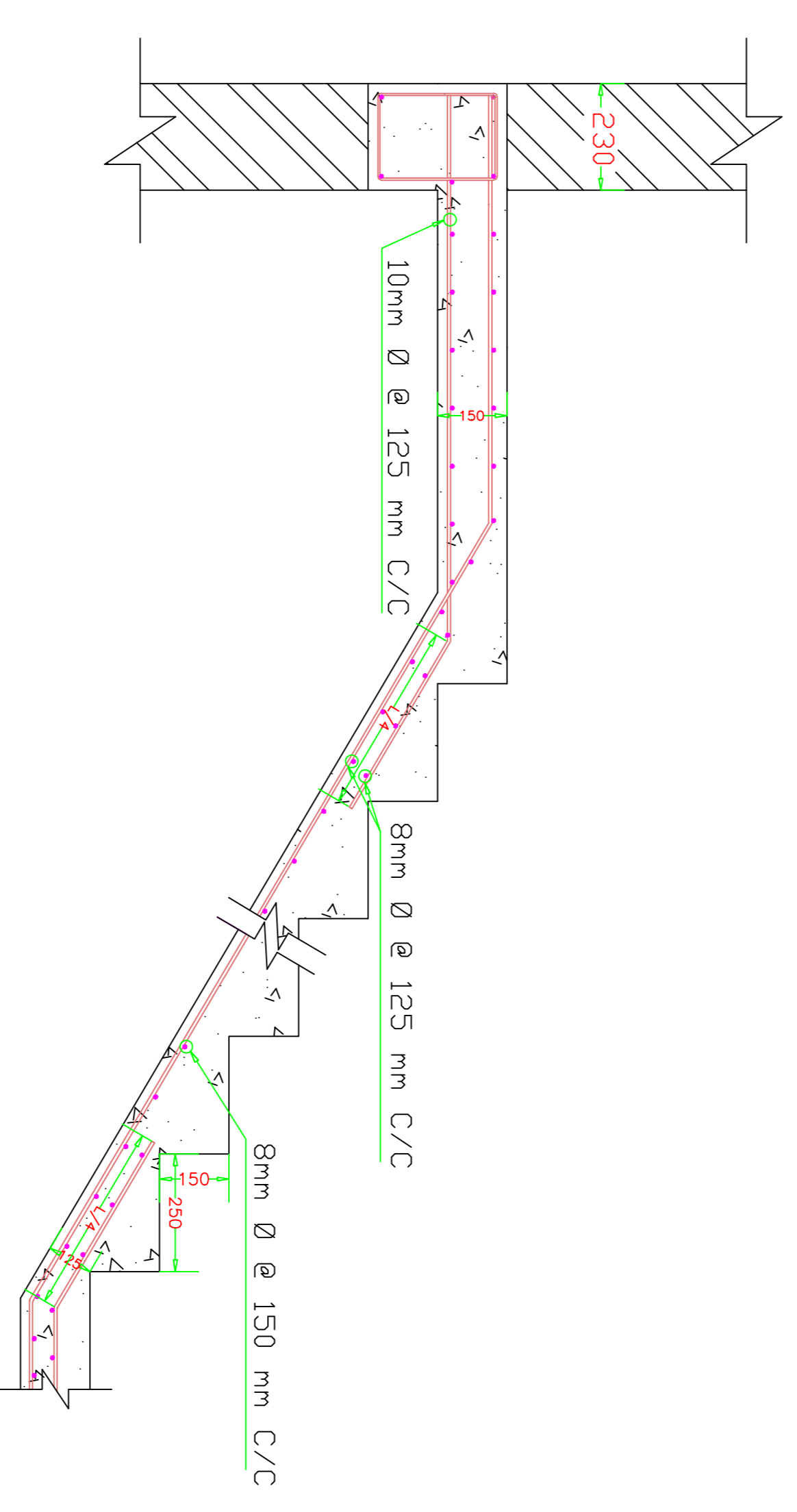


FOUNDATION DETAILS OF COLUMN

<Dim in mm>

FOUNDATION DETAILS OF WALL

<Dim in mm>



DET. OF R.C.C. STAIR

<Dim in mm>

DRAWING OF PROPOSED RESIDENTIAL BUILDING OF 1. SMT. FULWANTI DEVI, W/O SRI RAM CHARAN SAW, UNDER MOUZA :- KOLAKUSMA, MOUZA NO - 12, KHATA NO - 258(N), 69 (O), PLOT NO :- 2611 (N) 2153 & 2155 (O), P.S - DHANBAD, DIST - DHANBAD, IN THE STATE OF JHARKHAND.