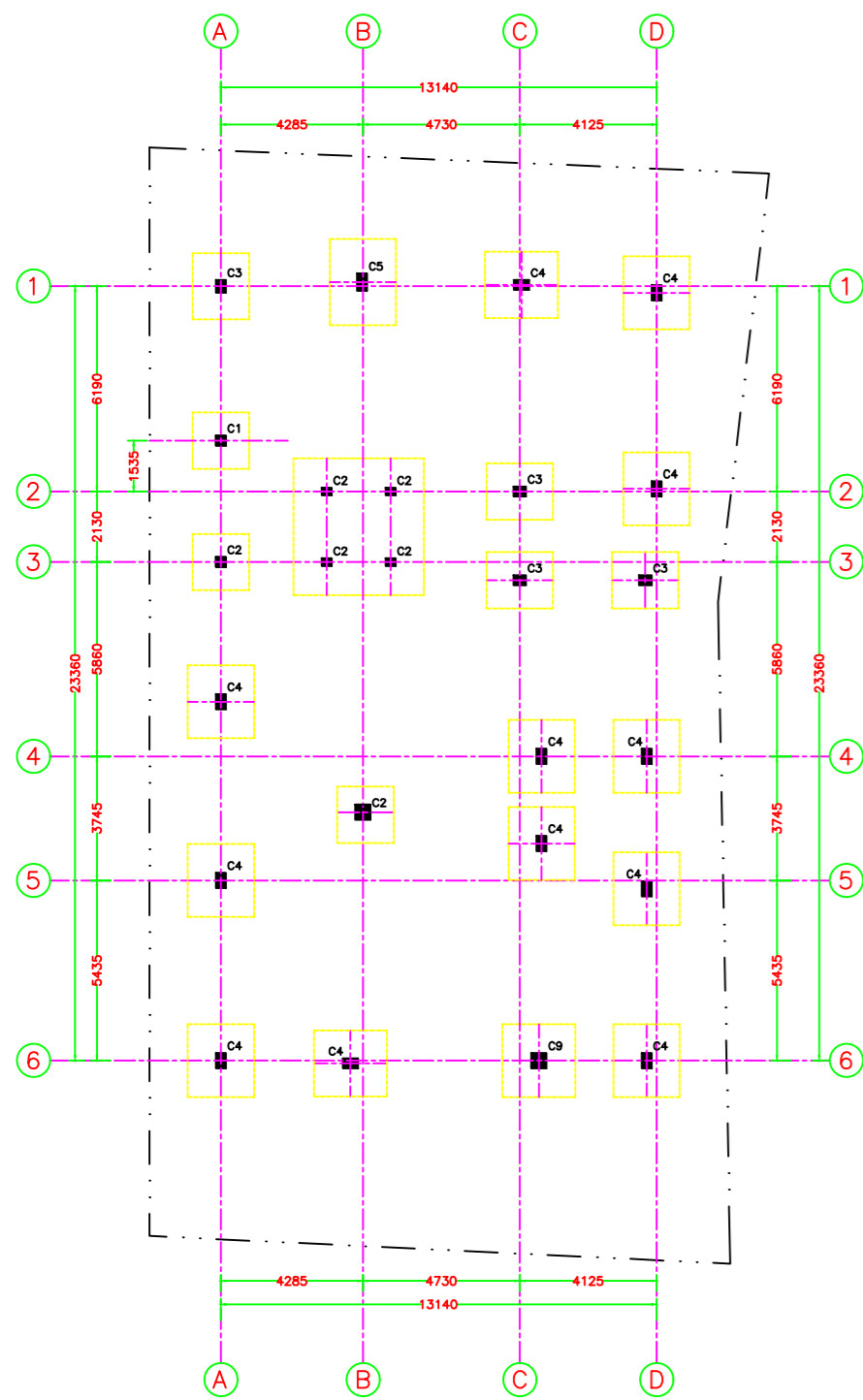
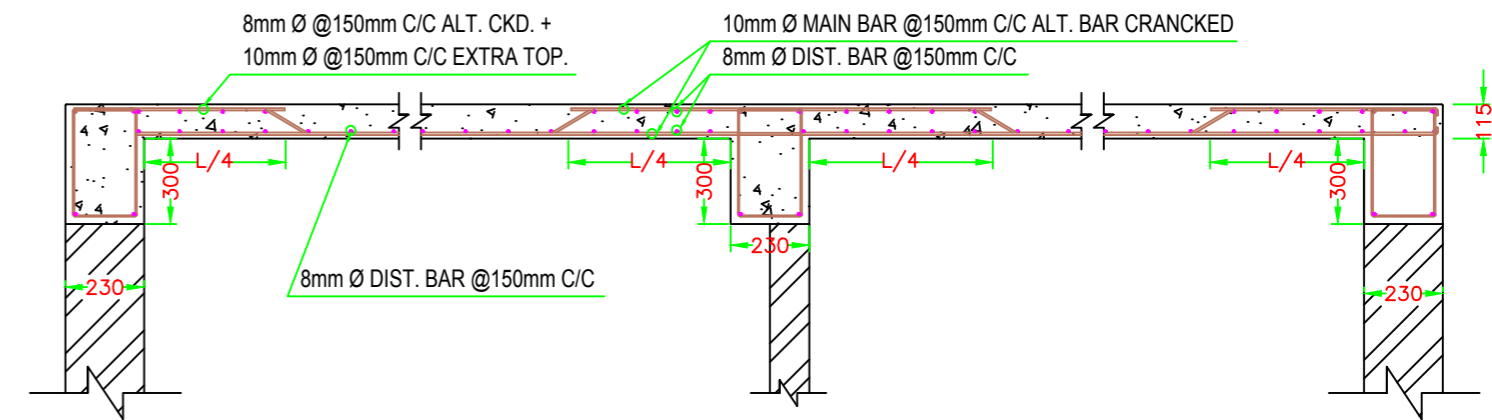
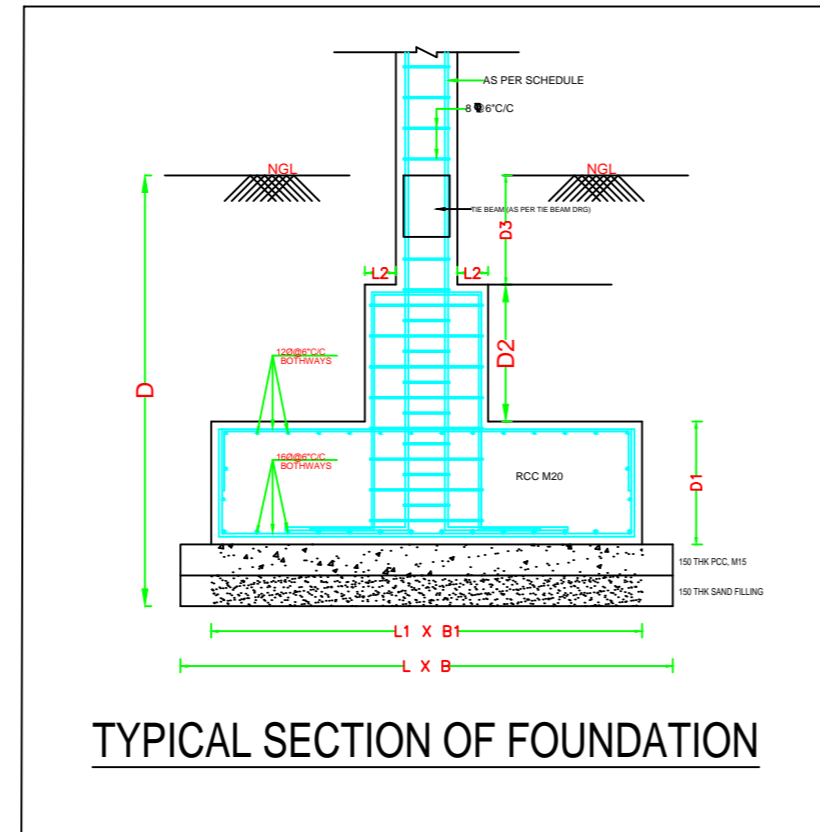
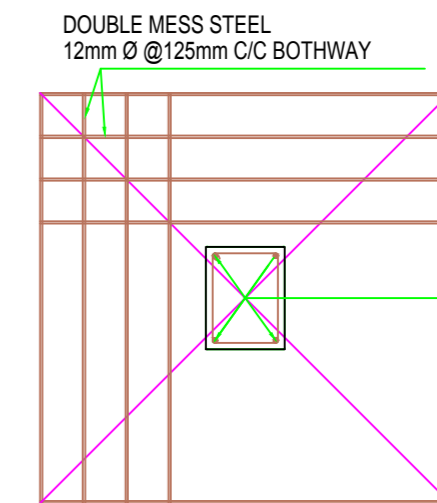
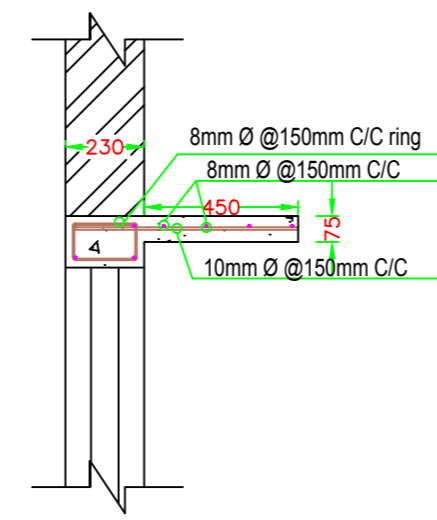


STRUCTURAL DESIGN SAFETY DETAILS

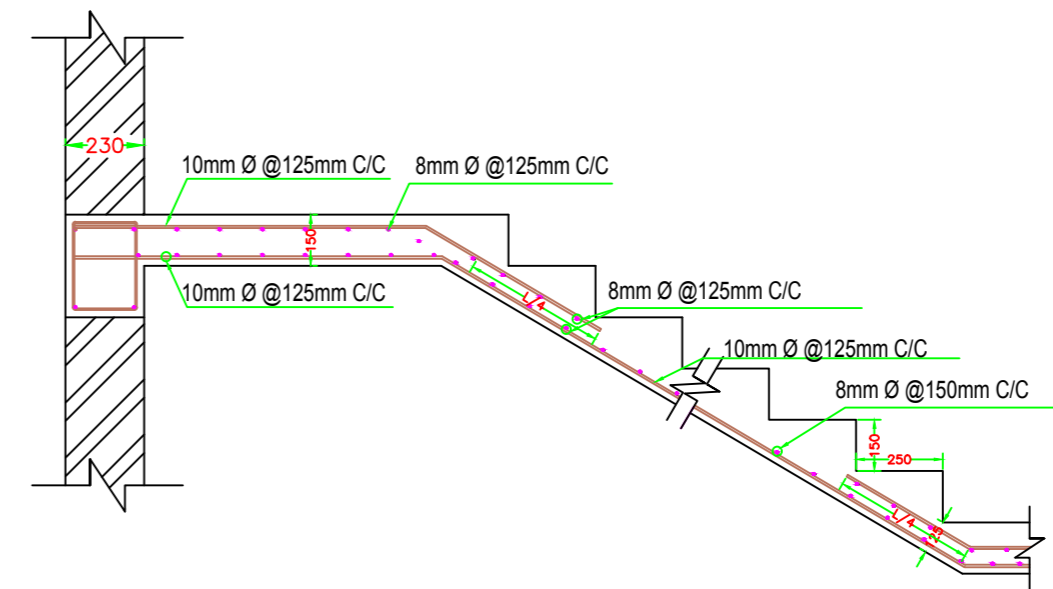


SL. NO.	ITEMS	SYM.	SIZE	FOUNDATION EXCAVATION SIZE L X B X D	SECTION	REINFORCEMENT			RCC FOUNDATION			REMARKS
						VERTICAL	RING	COVER	L1 X B1 X D1	D2	D3	
1.	COLUMN	C1	230X230	1700X1700X2000		4NOS-16	8mm Ø C/C	40	1500X1500X200	600	900	RCC MIX: M20
2.	COLUMN	C2	300X300	1700X1700X2000		4NOS-16 4NOS-12	8mm Ø C/C (2 SETS)	1.5"	1500X1500X200	600	900	RCC MIX: M20
3.	COLUMN	C3	300X381	1700X2000X2000		6NOS-16 4NOS-12	8mm Ø C/C (2 SETS)	1.5"	1500X1800X250	600	850	RCC MIX: M20
4.	COLUMN	C4	300X460	2000X2200X2000		10NOS-16	8mm Ø C/C (4 SETS)	1.5"	1800X2000X250	600	850	RCC MIX: M20
5.	COLUMN	C5	300X600	2000X2600X2000		12NOS-20	8mm Ø C/C (3 SETS)	1.5"	1800X2400X450	600	650	RCC MIX: M20
6.	COLUMN	C6	381X381	2000X2000X2000		8NOS-16	8mm Ø C/C (2 SETS)	1.5"	1800X1800X250	600	850	RCC MIX: M20
7.	COLUMN	C7	381X460	2000X2200X2000		12NOS-16	8mm Ø C/C (3 SETS)	1.5"	1800X2000X300	600	800	RCC MIX: M20
8.	COLUMN	C8	381X600	2000X2600X2000		14NOS-20	8mm Ø C/C (4 SETS)	1.5"	1800X2400X450	600	650	RCC MIX: M20
9.	COLUMN	C9	460X460	2200X2200X2000		4NOS-20 8NOS-16	8mm Ø C/C (3 SETS)	1.5"	2000X2000X300	600	800	RCC MIX: M20
10.	COLUMN	C10	460X600	2200X2600X2000		10NOS-20 4NOS-16	8mm Ø C/C (4 SETS)	1.5"	2000X2400X450	600	650	RCC MIX: M20
11.	COLUMN	C11	600X600	2600X2600X2000		16NOS-20	8mm Ø C/C (3 SETS) (2 LINC'S)	1.5"	2400X2400X450	600	650	RCC MIX: M20

SCHEDULE OF COLUMN & FOUNDATION



VERTICAL : AS PER COLUMN TABLE
RING : 8Ø @ 6" C/C
1/2/3 SETS AS REQD.



DRAWING OF PROPOSED STRUCTURAL SAFETY DETAILS OF PROPOSED RESIDENTIAL BUILDING OF SRU SHANKAR PRASAD SINGH S/O LATE BHIM SINGH THROUGH ITS ATTORNEY HOLDER SRI MANOJ KUMAR DUBEY S/O LATE UDAY BHAN DUBEY UNDER MOUZA KOLSKUSMA, MOUZA NO. 12, WARD NO. 23, UNDER OLD KHATA NO. 43, (NEW KHATA NO. 602), OLD PLOT NO. 1772, (NEW PLOT NO. 2353) UNDER P.S. SARAIHELIA, DIST. DHANBAD IN THE STATE OF JHARKHAND.