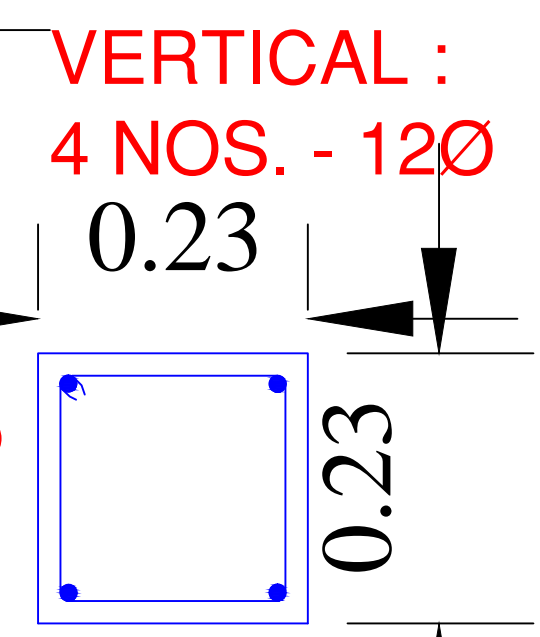
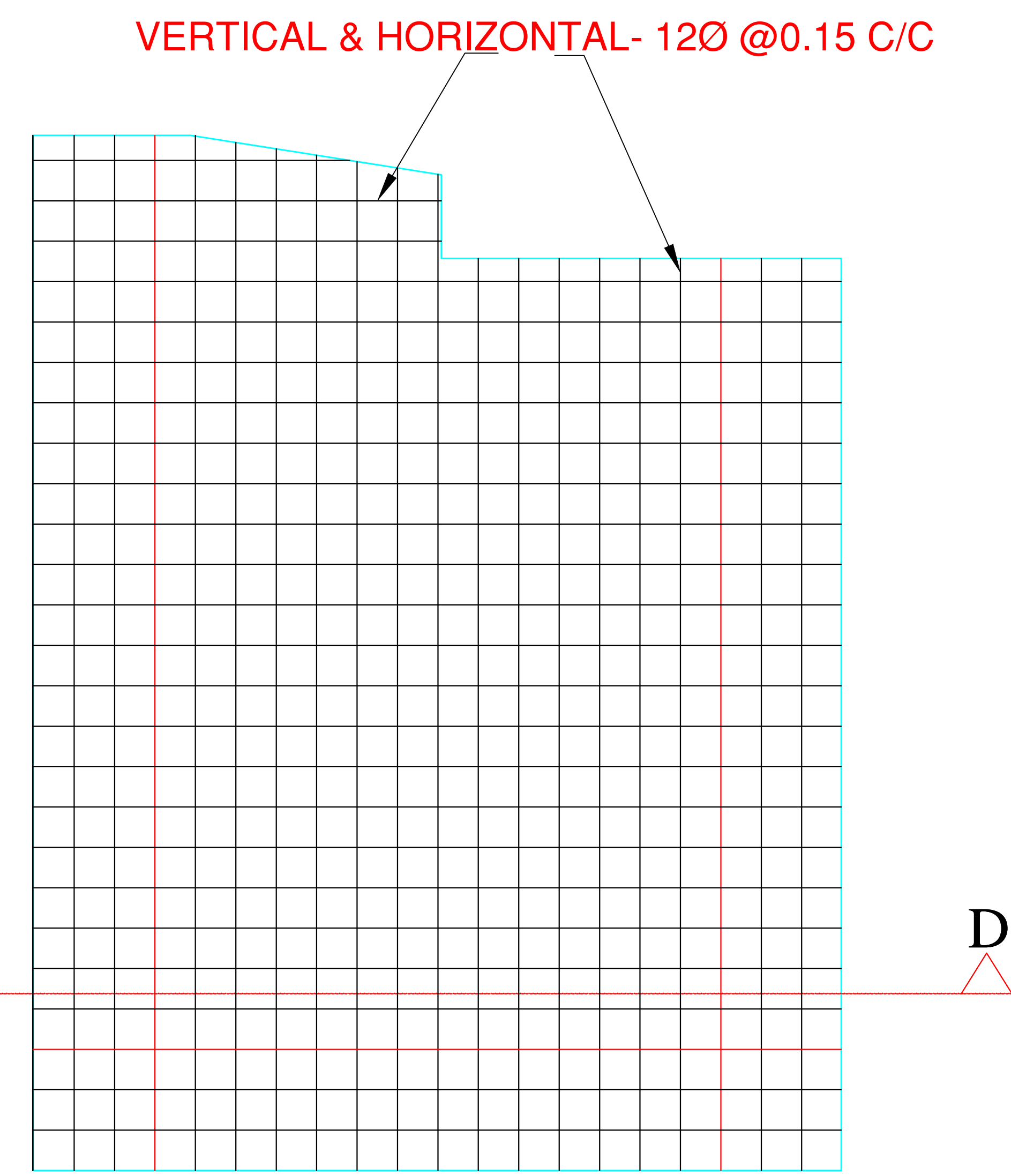


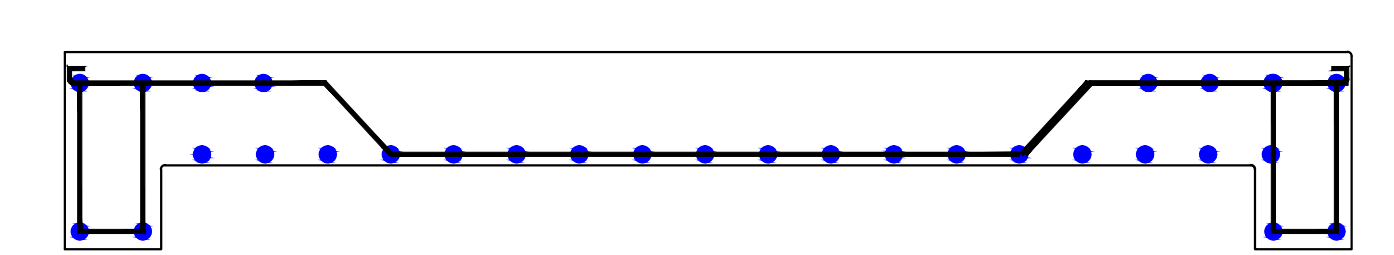
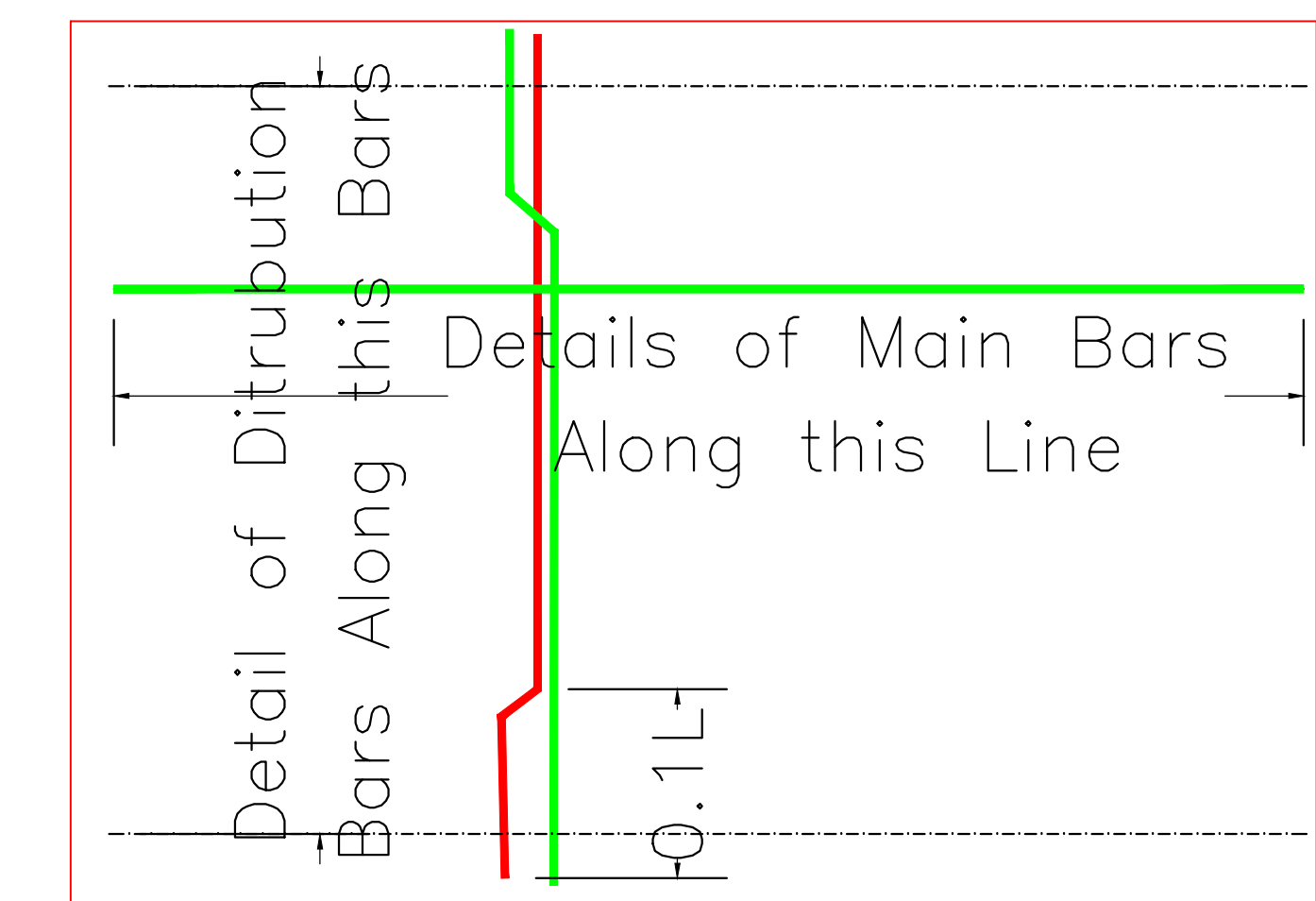
**FOUNDATION PLAN**



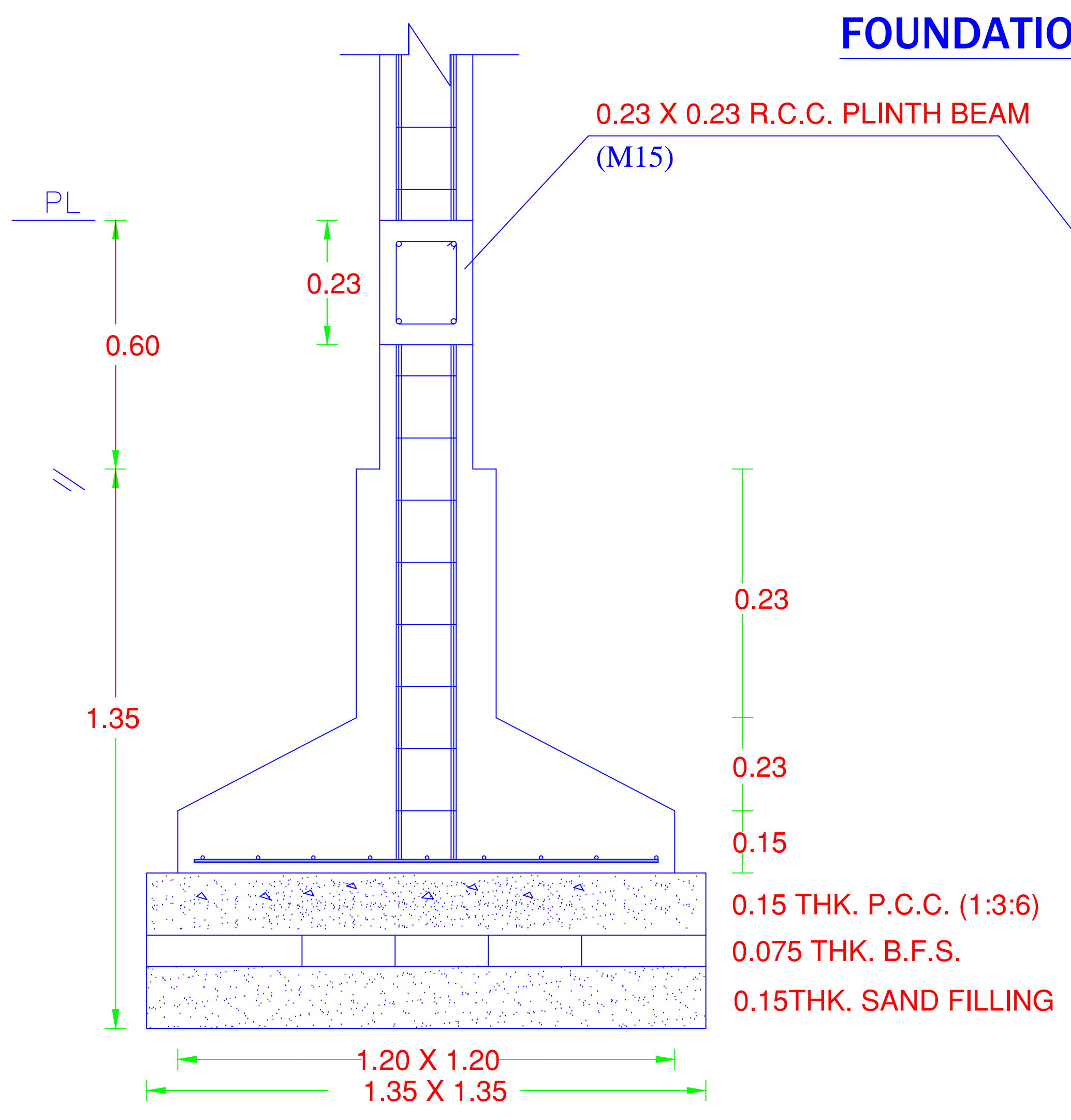
**DETAILS OF COLUMN & BEAM**



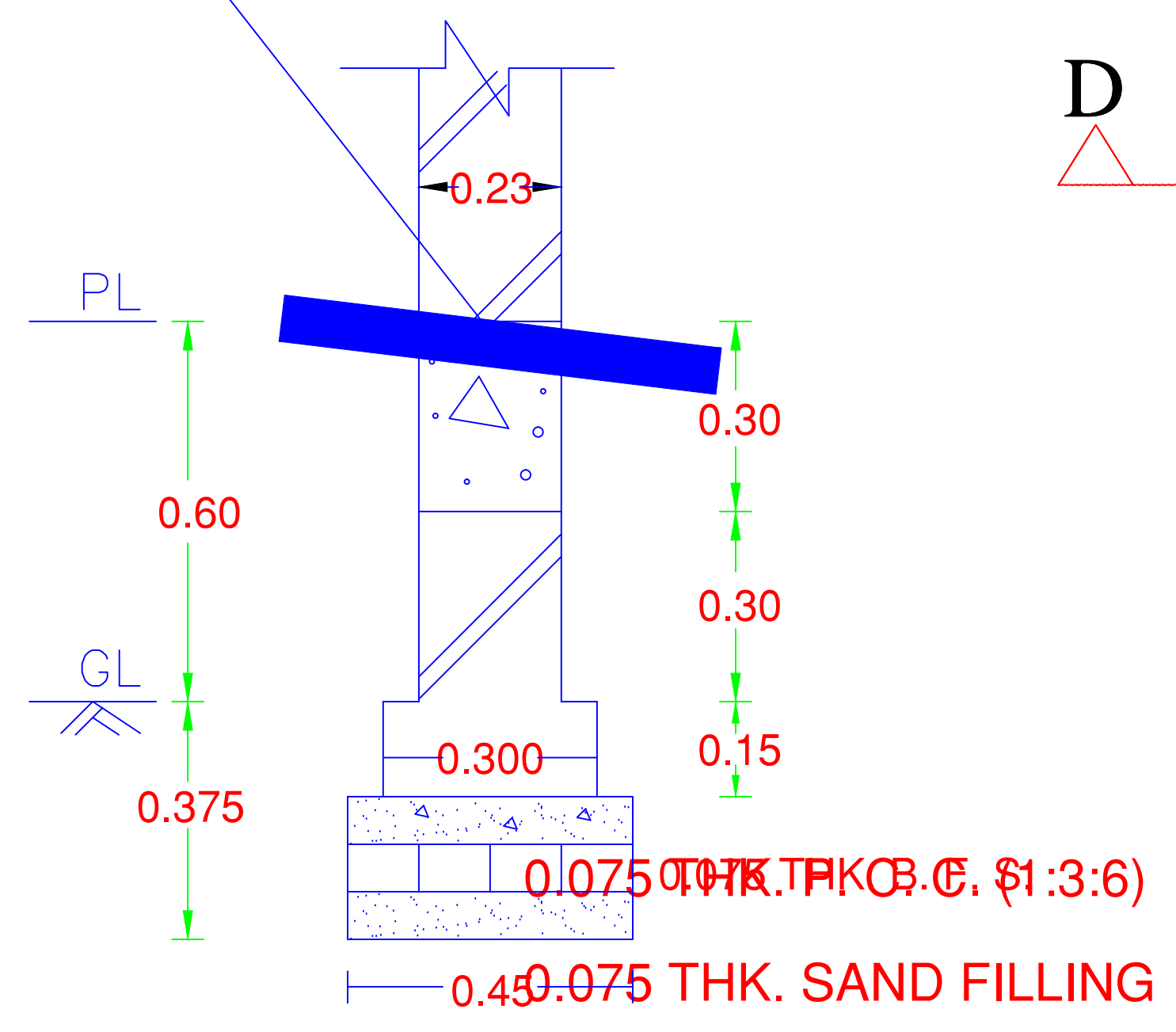
**BOTTOM REINFORCEMENT PLAN**



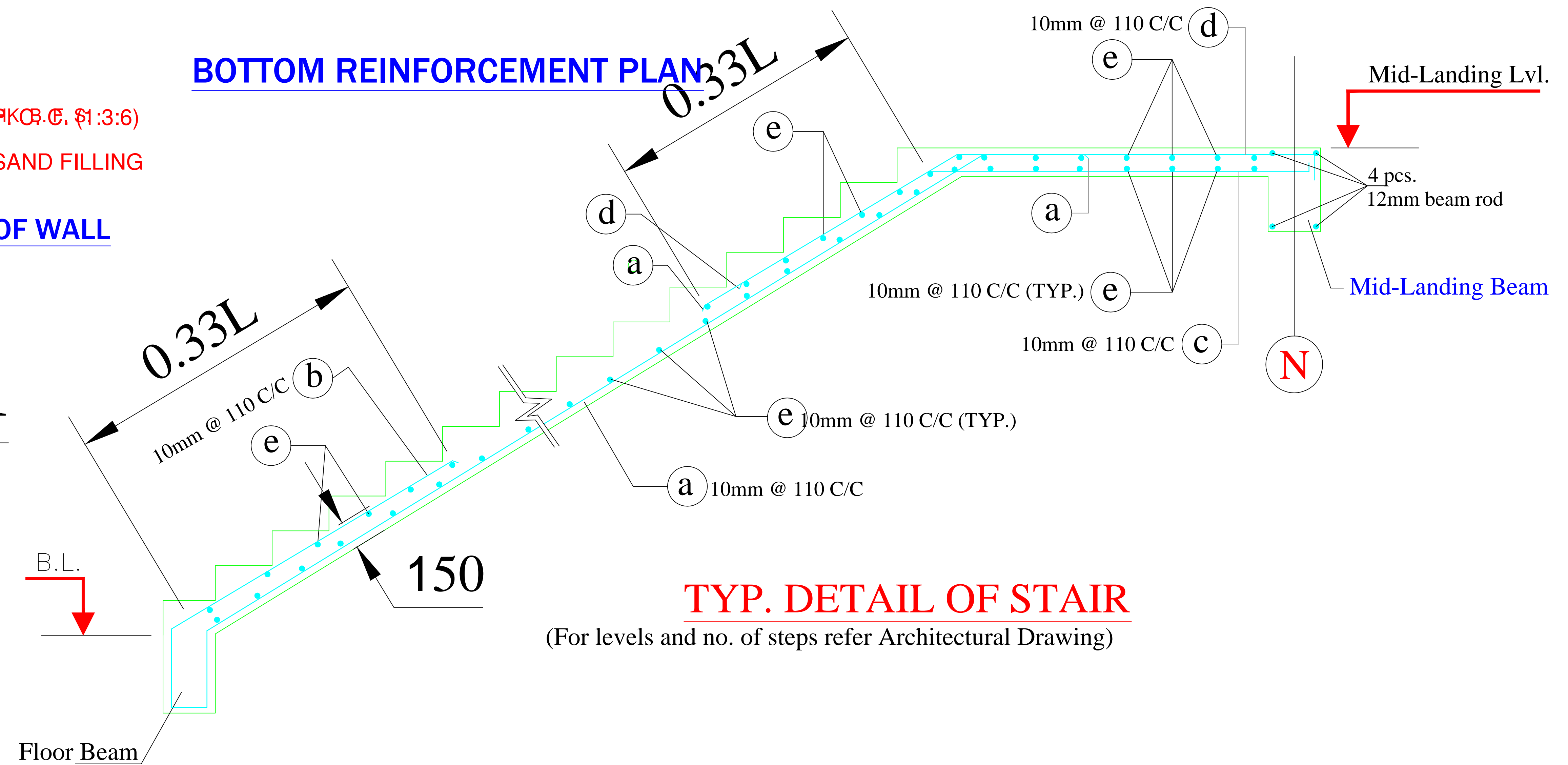
**SECTION - D:D**



**FOUNDATION DETAILS OF COLUMN**



**FOUNDATION DETAILS OF WALL**



**TYP. DETAIL OF STAIR**

(For levels and no. of steps refer Architectural Drawing)

# Structure Detail