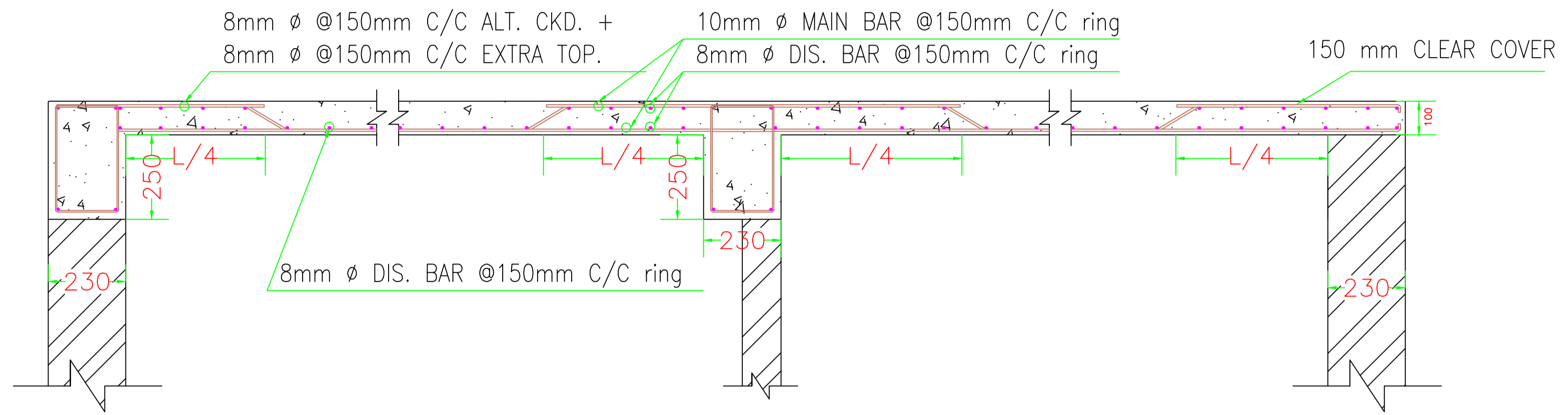
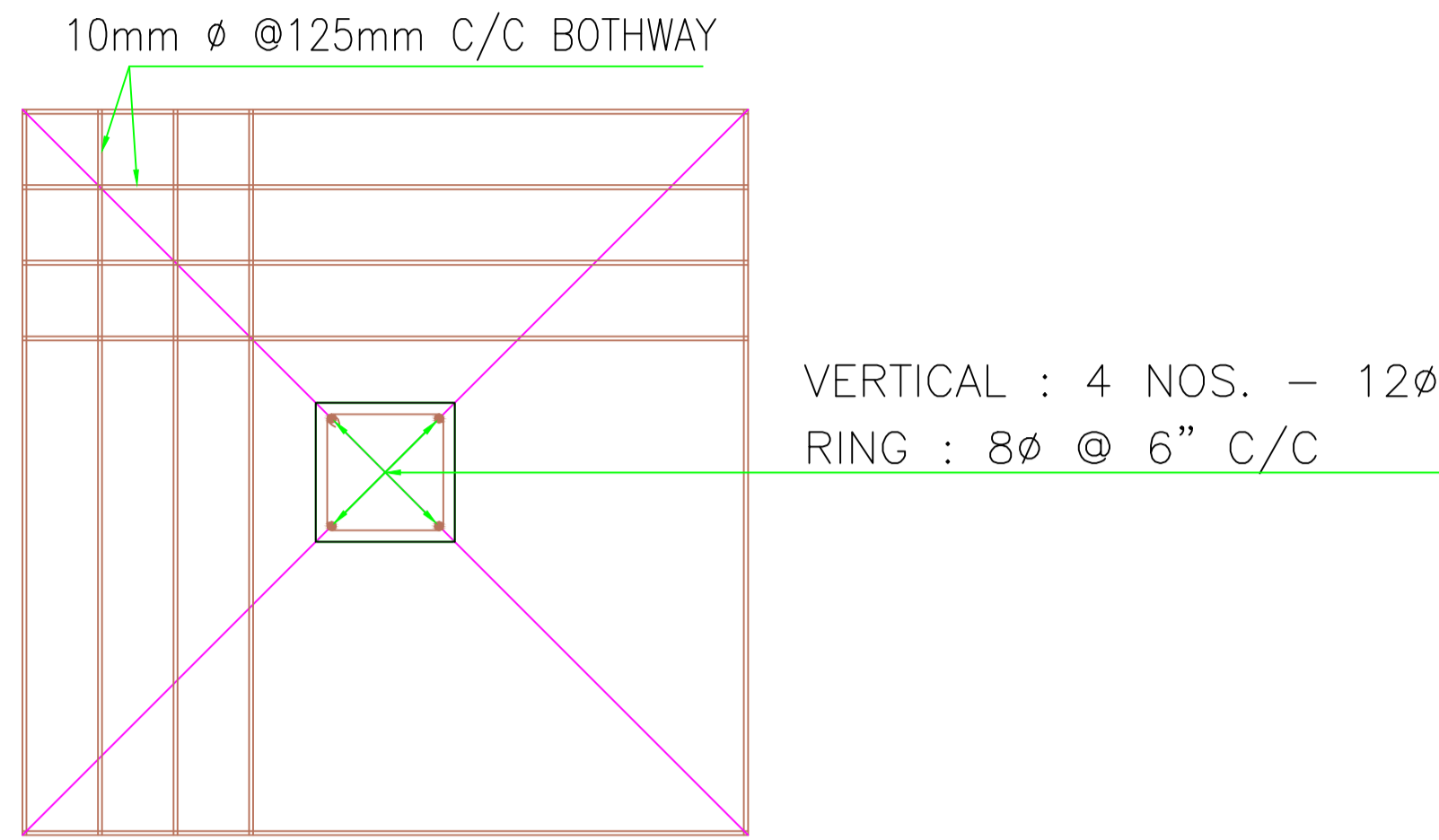


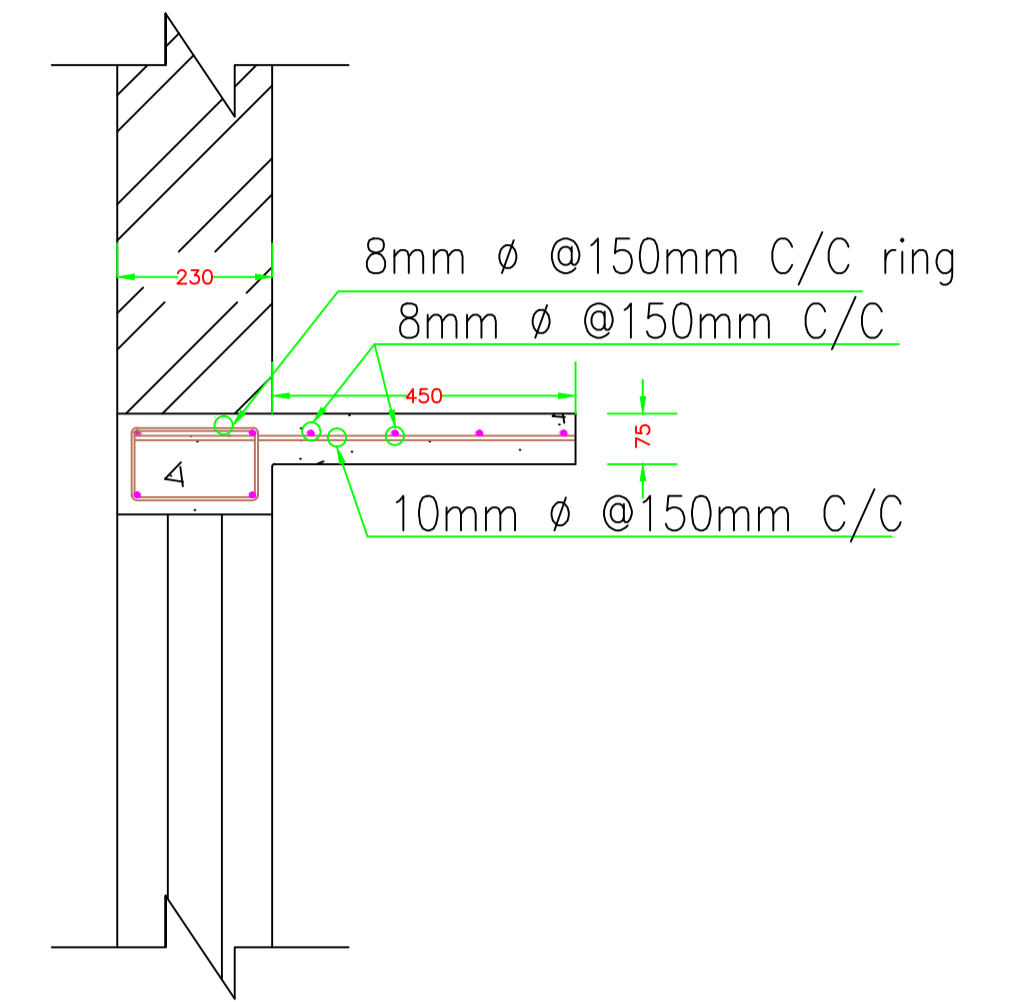
PRODUCED BY AN AUTODESK EDUCATIONAL PRODUCT

STRUCTURAL DESIGN SAFETY DETAILS.



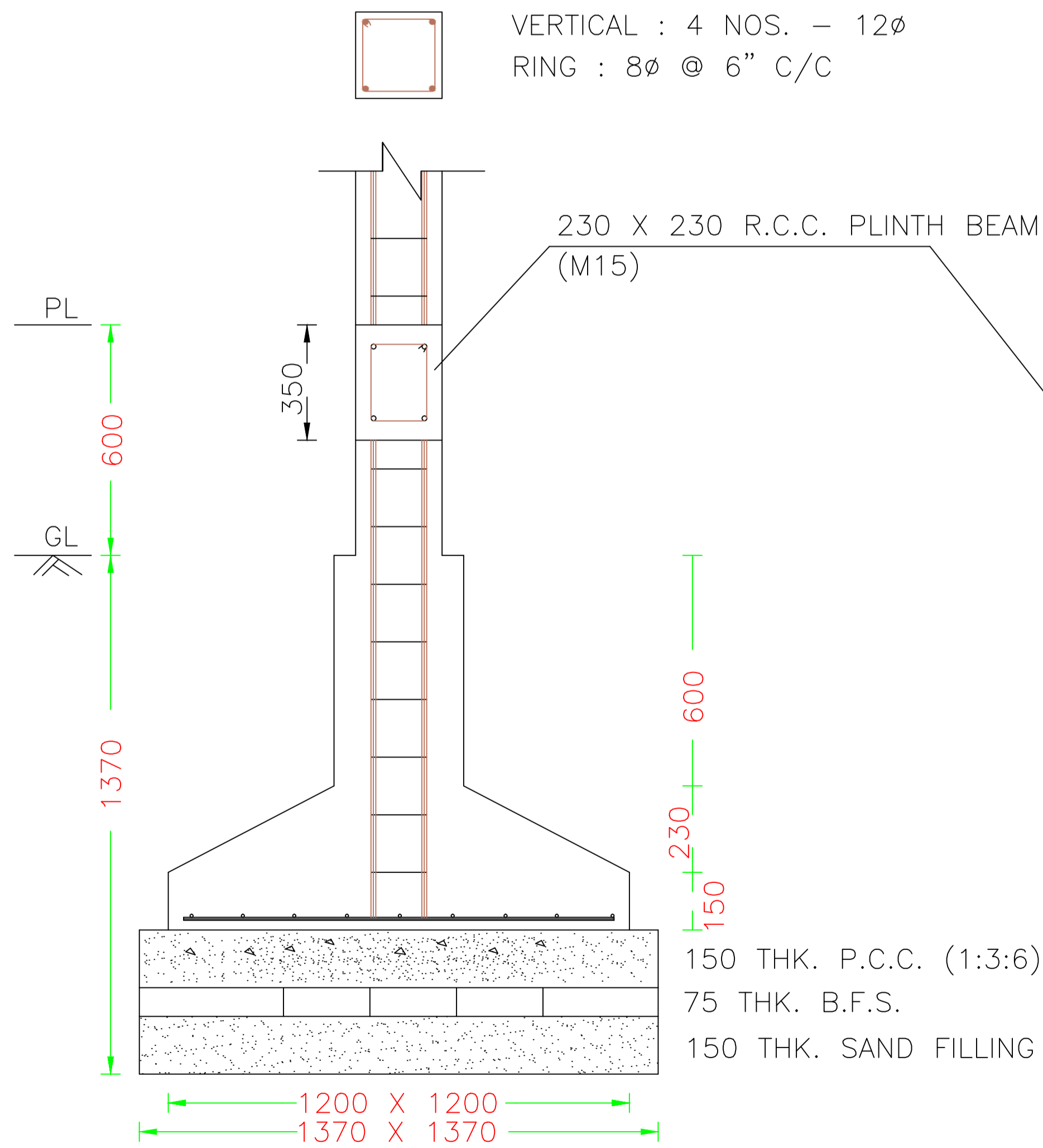
TYPICAL DET. OF R.C.C. SLAB

(Dim in mm)



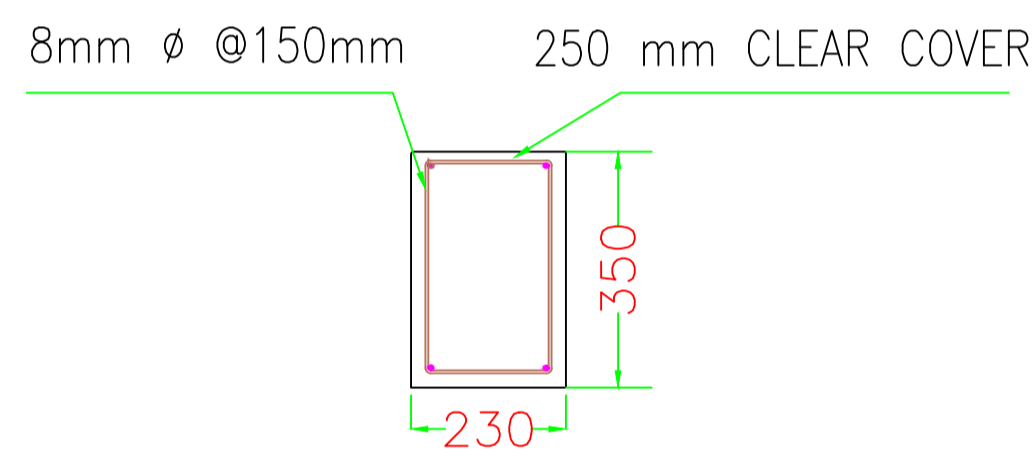
DET. OF R.C.C. CHAJJA

(Dim in mm)



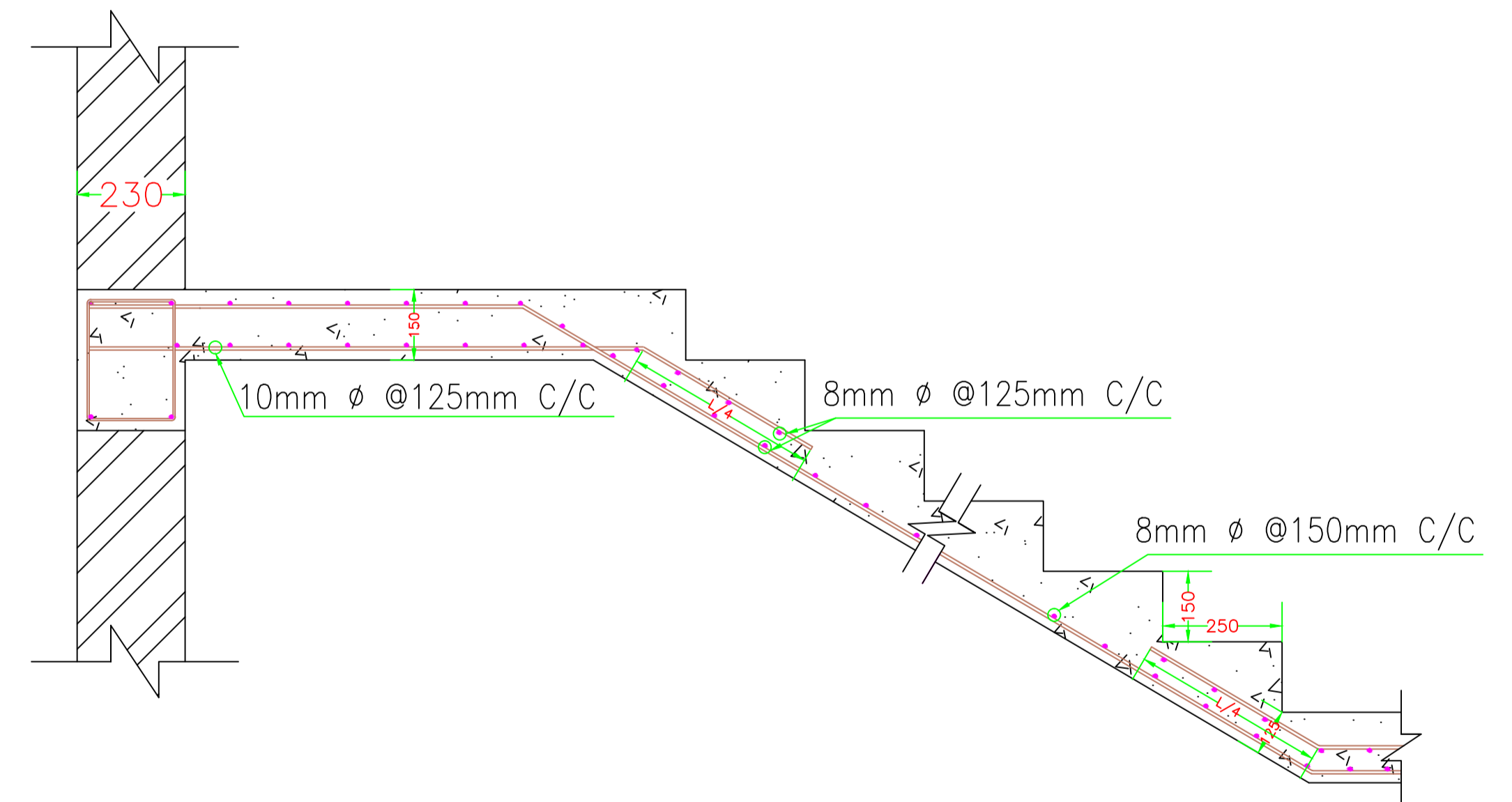
FOUNDATION DETAILS OF COLUMN

(Dim in mm)



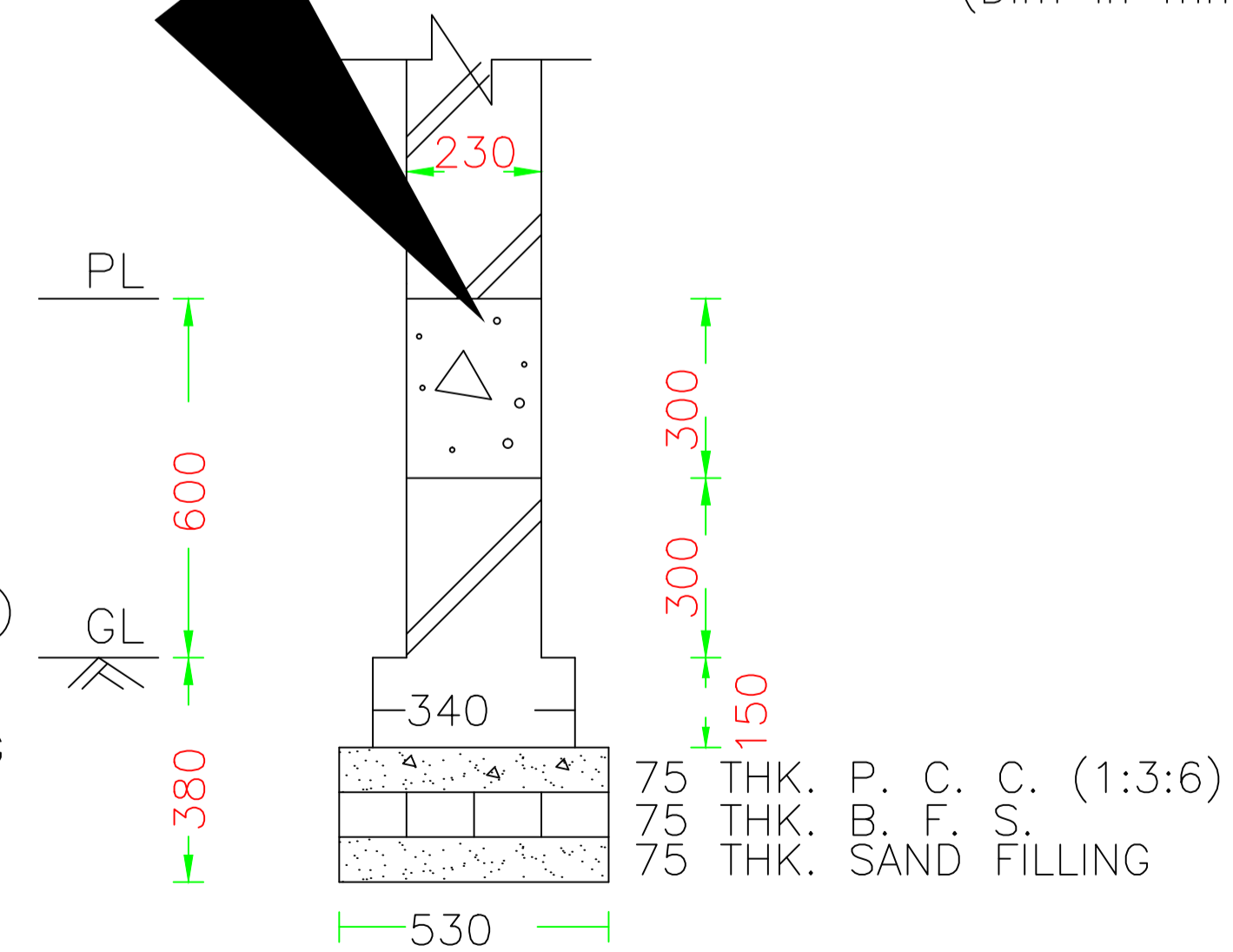
DET. OF R.C.C. BEAM

(Dim in mm)



DET. OF R.C.C. SRAIR

(Dim in mm)



FOUNDATION DETAILS OF WALL

(Dim in mm)

TITLE OF DRAWING

DRAWING OF PROPOSED RESIDENTIAL BUILDING OF Sri. PRABIN KUMARI VISHWAKARMA, S/O Sri. BIBHISHAN PRASAD VISHWAKARMA, (2) Smt. VEENA VISHWAKARMA, W/O-Sri. PRABEEN KUMARI VISHWAKARMA, UNDER MOUZA:- BHELATAND, MOUZA NO-89, KHATA NO-71 (O)142 (N), PLOT NO-647(O) 523 (N), P.S- GOBINDPUR, DIST-DHANBAD, IN THE STATE OF JHARKHAND.