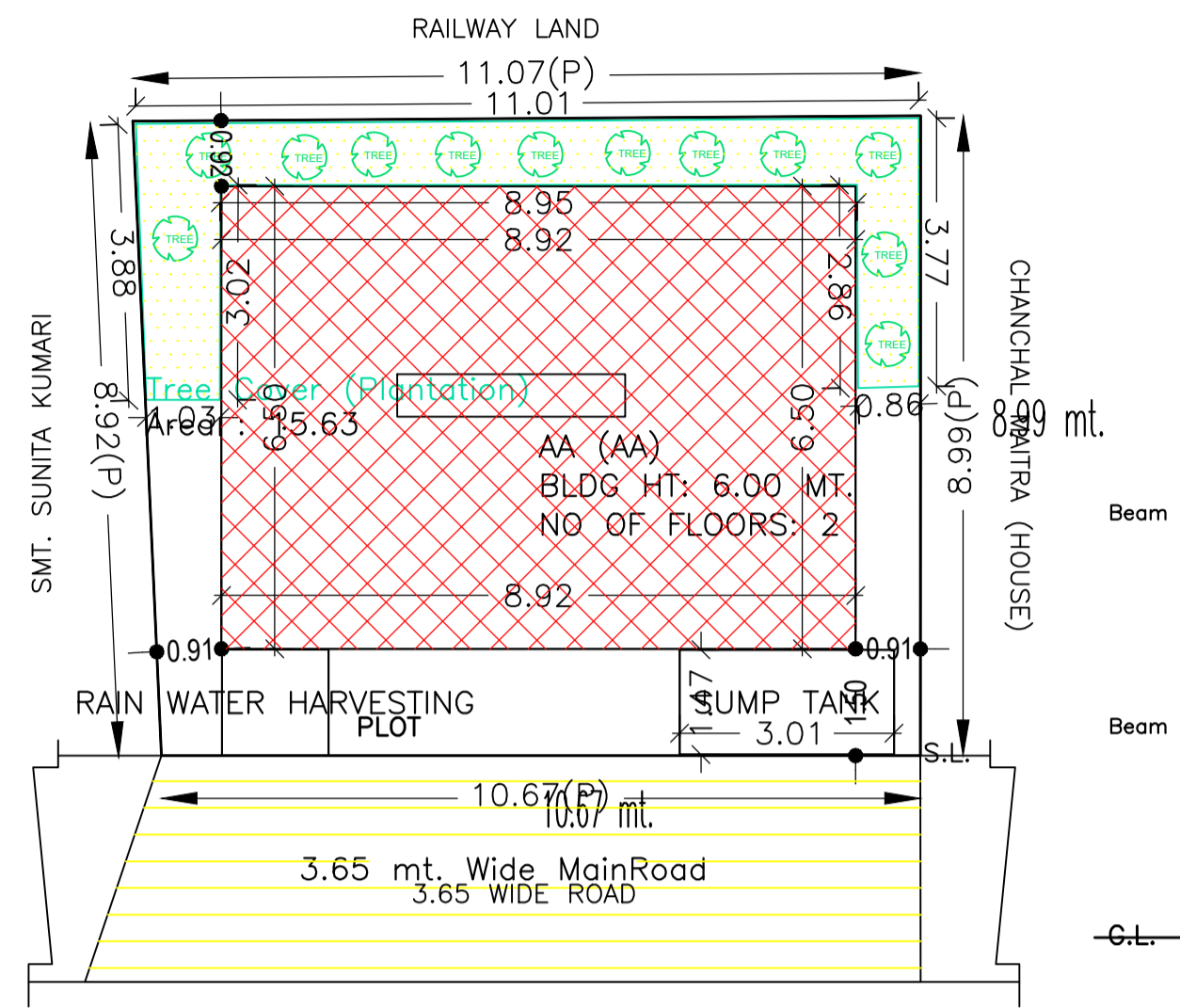


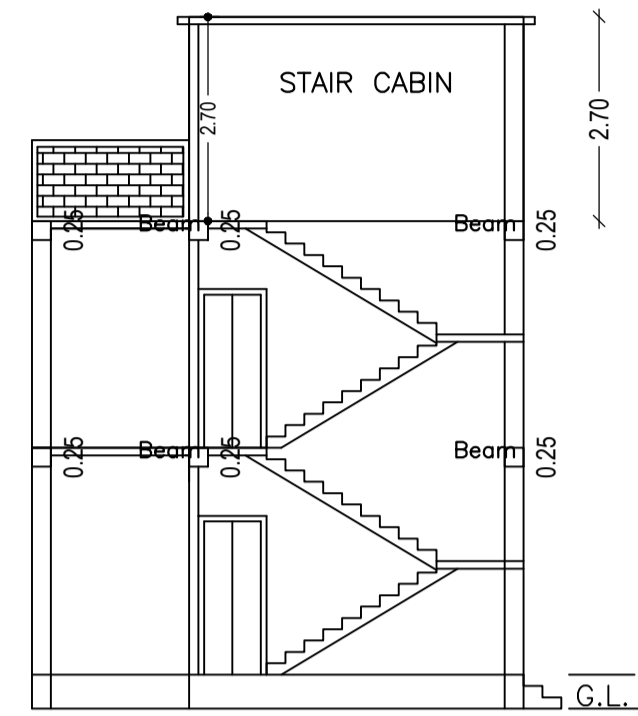
Proposal Basic Information

Proposal File No.	DMC/EP/0252/W27/2020
Owner Name	SONI KUMARI
Khata No	0 (DHANBAD MUNICIPAL)
Plot No	530
Village Name	Barmasiya
Use	Residential
SubUse	Bungalow/ Dwelling / Non Apartment

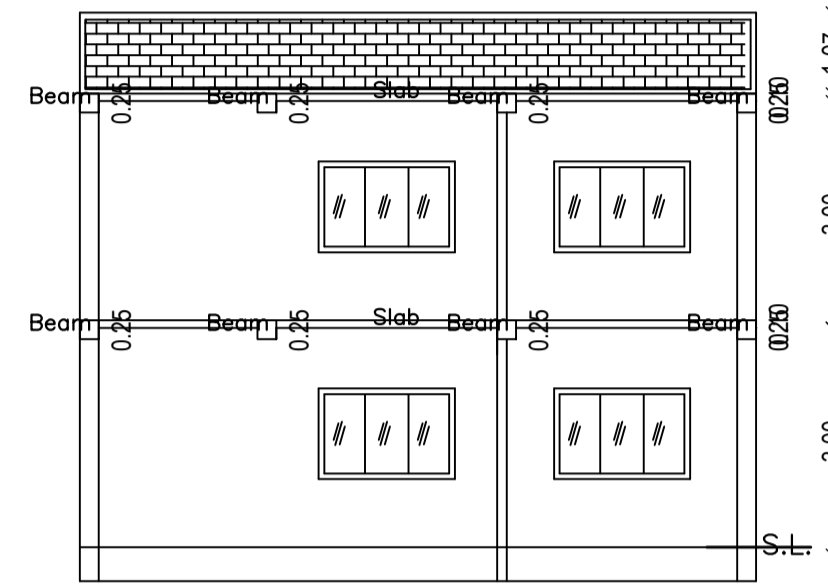


SITE PLAN

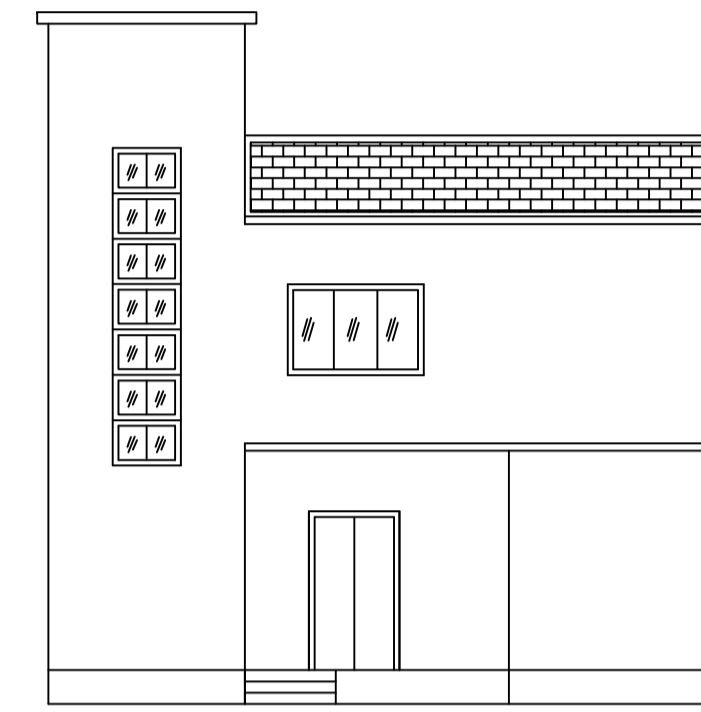
SITE PLAN



SECTION ON X-X



SECTION ON Y-Y



FRONT ELEVATION

Floor Name	Building Name AA (AA)		Total	
	Proposed Built Up Area (Sq.mt.)	Proposed FAR Area (Sq.mt.)	Total Proposed Built Up Area (Sq.mt.)	Total FAR Area (Sq.mt.)
Ground Floor	57.97	57.97	57.97	57.97
First Floor	57.97	57.97	57.97	57.97
Terrace Floor	0.00	0.00	0.00	0.00
Total :	115.94	115.94	115.94	115.94

SCHEDULE OF DOOR:

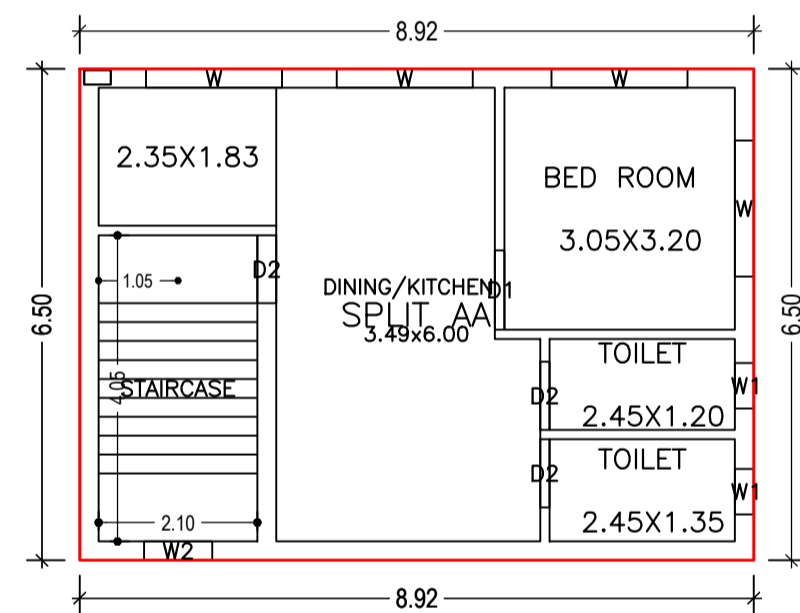
BUILDING NAME	NAME	LENGTH	HEIGHT	NOS
AA (AA)	D2	0.90	2.10	05
AA (AA)	D1	1.05	2.10	02
AA (AA)	D	1.20	2.10	01

SCHEDULE OF WINDOW/VENTILATION:

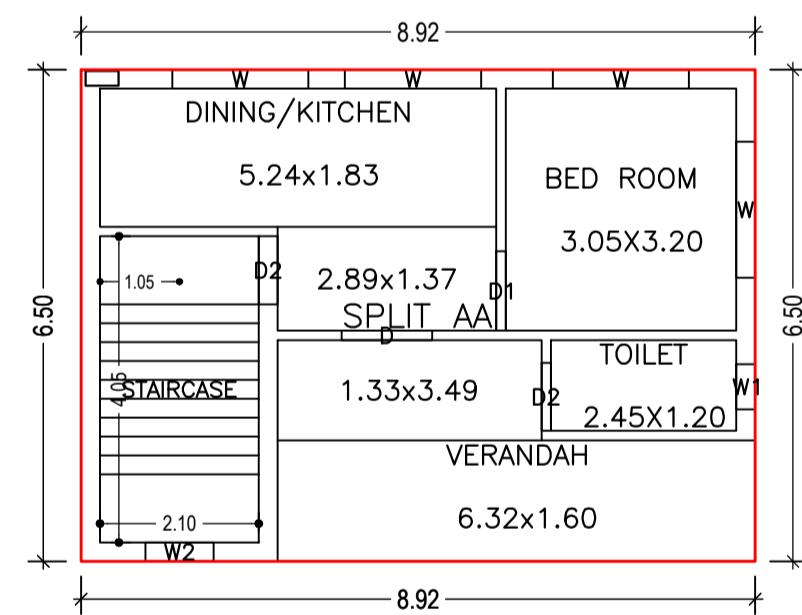
BUILDING NAME	NAME	LENGTH	HEIGHT	NOS
AA (AA)	W1	0.60	1.20	03
AA (AA)	W2	0.90	1.20	02
AA (AA)	W	1.80	1.20	08

Building :AA (AA)

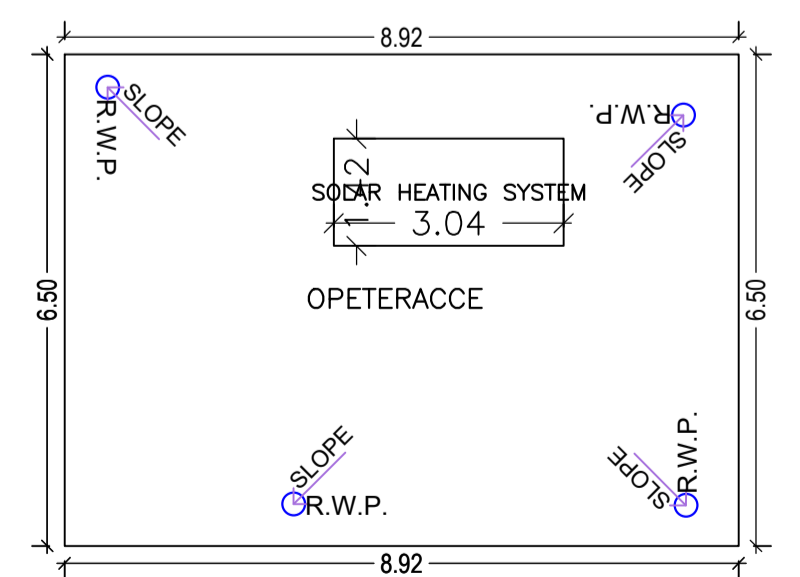
Floor Name	Total Built Up Area (Sq.mt.)	Proposed FAR Area (Sq.mt.) Resi.	Total FAR Area (Sq.mt.)	Total Consumed Additional FAR Area (Sq.mt.)	Tnmt (No.)
Ground Floor	57.97	57.97	57.97	57.97	01
First Floor	57.97	57.97	57.97	57.97	00
Terrace Floor	0.00	0.00	0.00	0.00	00
Total :	115.94	115.94	115.94	115.94	01
Total Number of Same Buildings :	1				
Total :	115.94	115.94	115.94	115.94	01



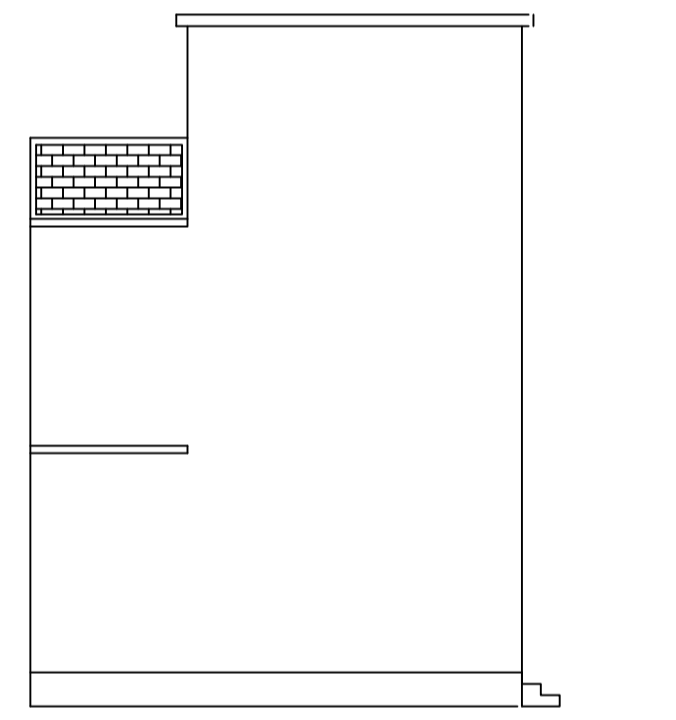
FIRST FLOOR PLAN (Proposed) (SCALE 1:100)



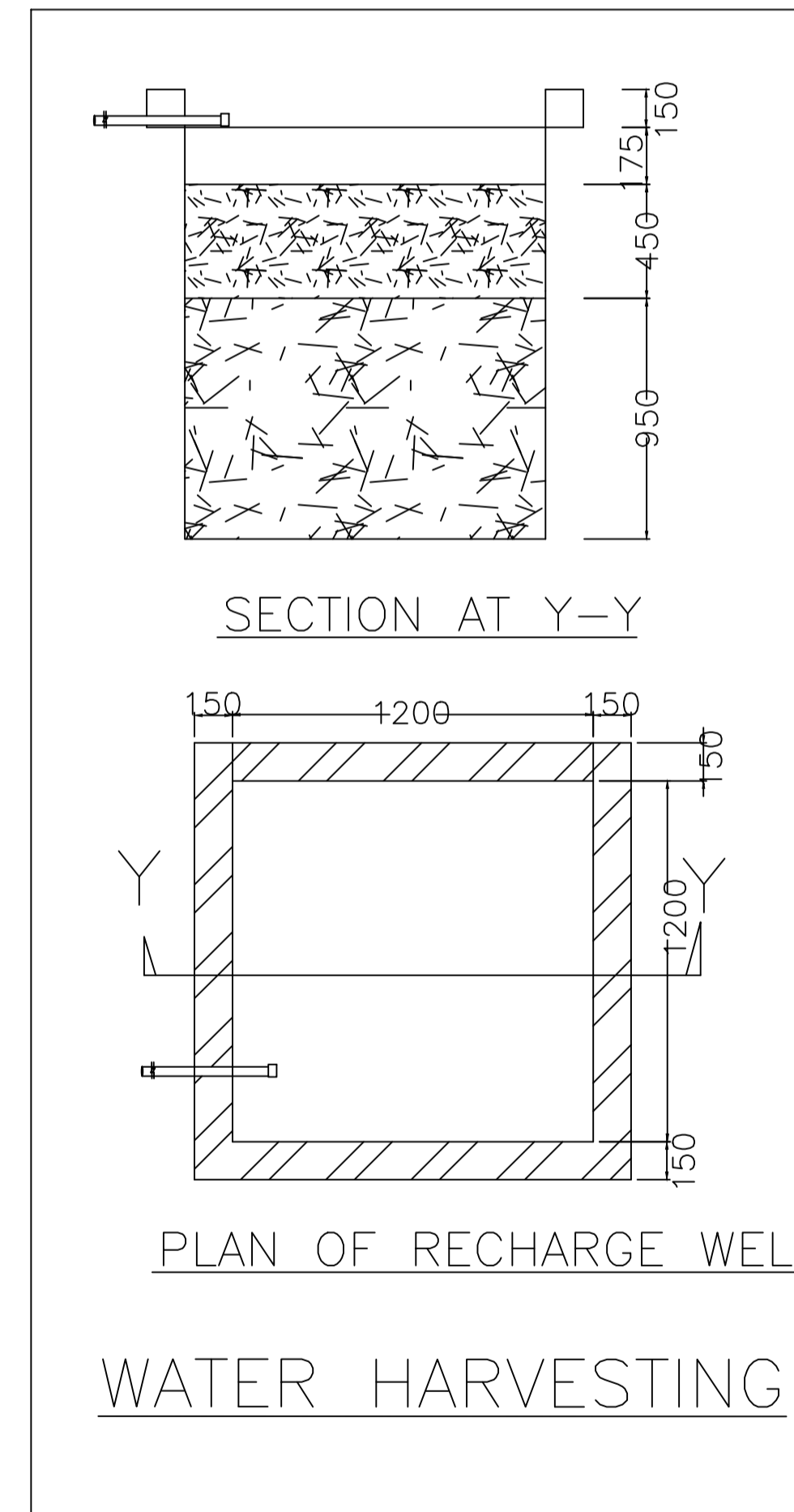
GROUND FLOOR PLAN (Proposed) (SCALE 1:100)



TERRACE FLOOR PLAN



LEFT SIDE ELEVATION



SECTION AT Y-Y

PLAN OF RECHARGE WELL WATER HARVESTING

COLOR INDEX

PLOT BOUNDARY	Black
ABUTTING ROAD	Red
PROPOSED CONSTRUCTION	Green
COMMON PLOT	Blue
ROAD WIDENING AREA	Yellow
EXISTING (To be retained)	Light Blue
EXISTING (To be demolished)	Light Yellow

Building USE/SUBUSE Details

Building Name	Building Use	Building SubUse	Building Structure
AA (AA)	Residential	Bungalow/ Dwelling / Non Apartment	Non-Highrise

FAR & Tenement Details (Table 4c-1)

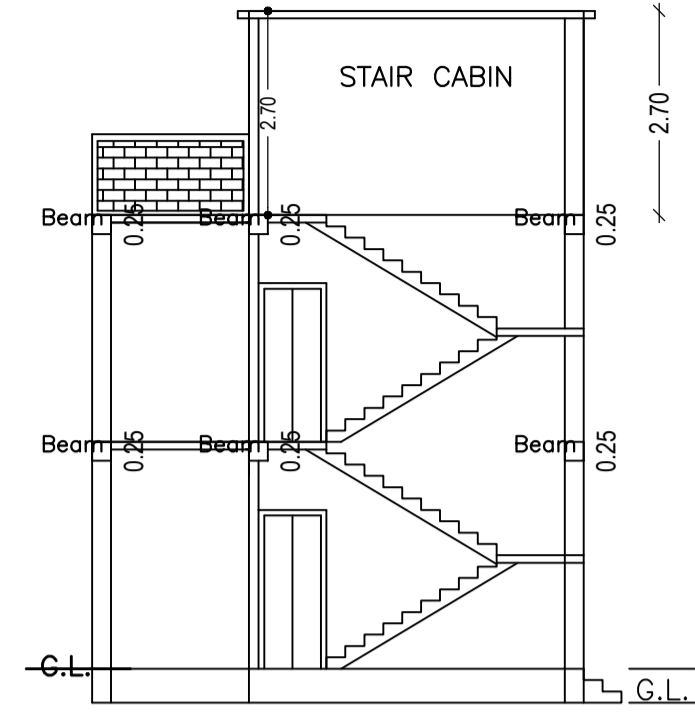
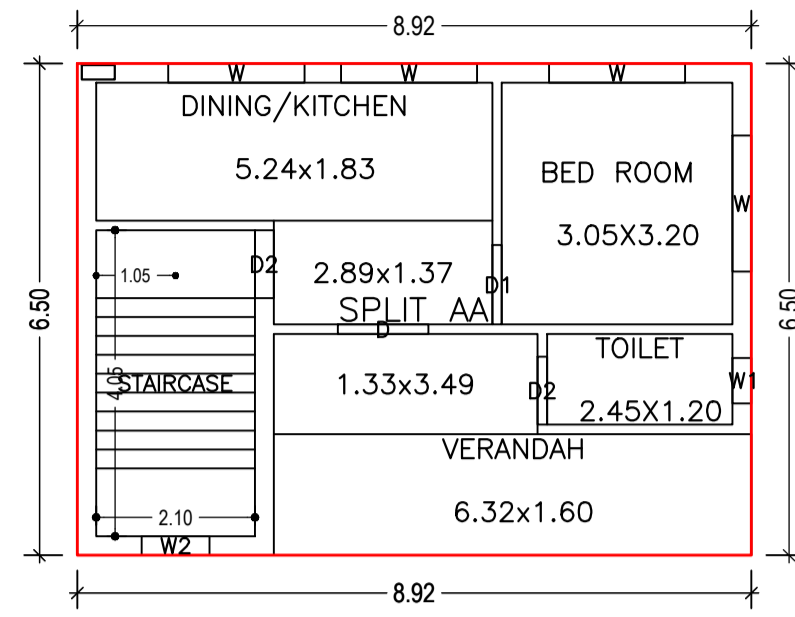
Building	No. of Same Bldg	Total Built Up Area (Sq.mt.)	Proposed FAR Area (Sq.mt.) Resi.	Total FAR Area (Sq.mt.)	Total Consumed Additional FAR Area (Sq.mt.)	Tnmt (No.)
AA (AA)	1	115.94	115.94	115.94	115.94	01
Grand Total :	1	115.94	115.94	115.94	115.94	01

UnitBUA Table for Building :AA (AA)

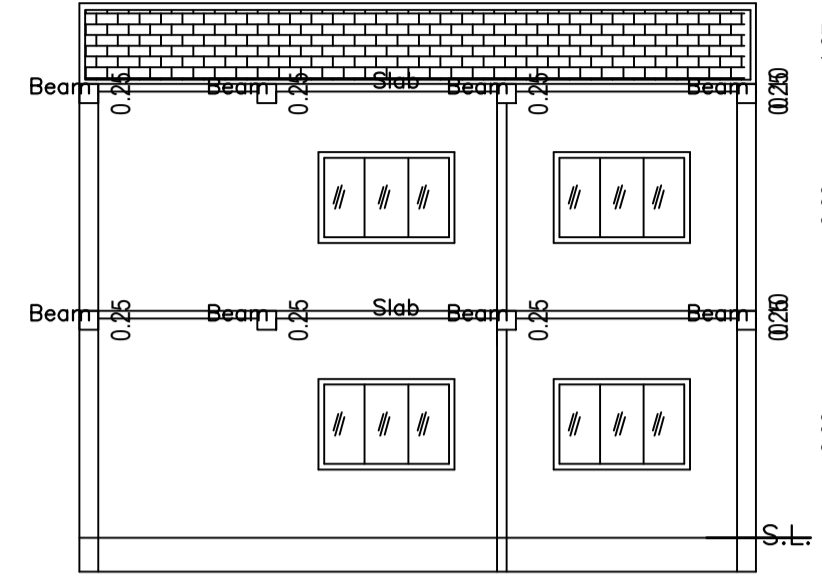
FLOOR	Name	UnitBUA Type	UnitBUA Area	Carpet Area	No. of Rooms	No. of Tenement
GROUND FLOOR	SPLIT AA	FLAT	115.94	115.78	4	1
FIRST FLOOR	SPLIT AA	FLAT	0.00	0.00	4	0
PLAN	-	-	115.94	115.78	8	1

LTP NAME AND SIGNATURE	STRUCTURAL ENG'S NAME AND SIGNATURE	BUILDER NAME AND SIGNATURE	DIGITAL SIGNATURE
PARTHA - PAL DMC/ENG/0021/2016	Buildingwise Floor FAR Details		

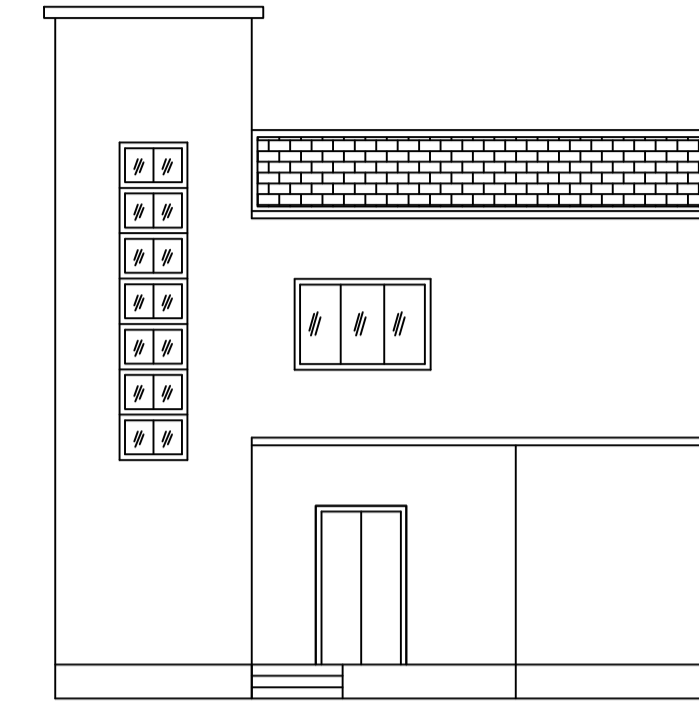
Proposal Basic Information	
Proposal File No.	DMC/EP/0252/W27/2020
Owner Name	SONI KUMARI
Khata No	0 (DHANBAD MUNICIPAL)
Plot No	530
Village Name	Barmasiya
Use	Residential
SubUse	Bungalow/ Dwelling / Non Apartment



SECTION ON X-X

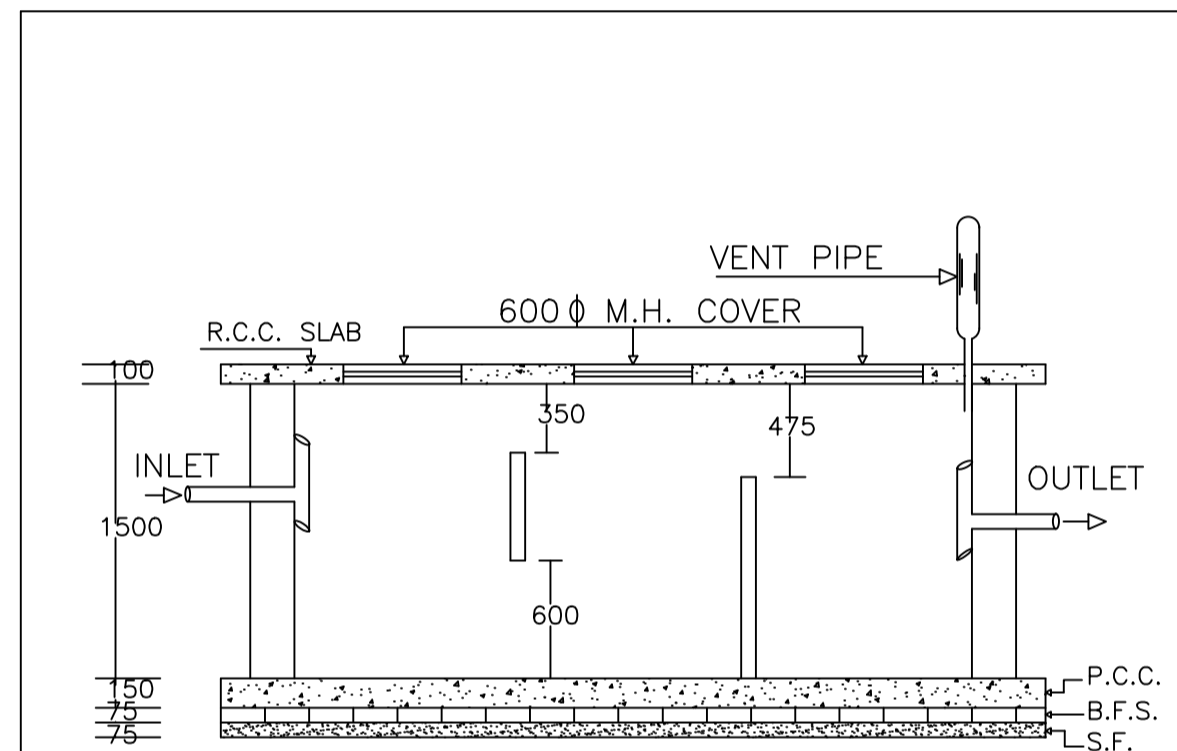
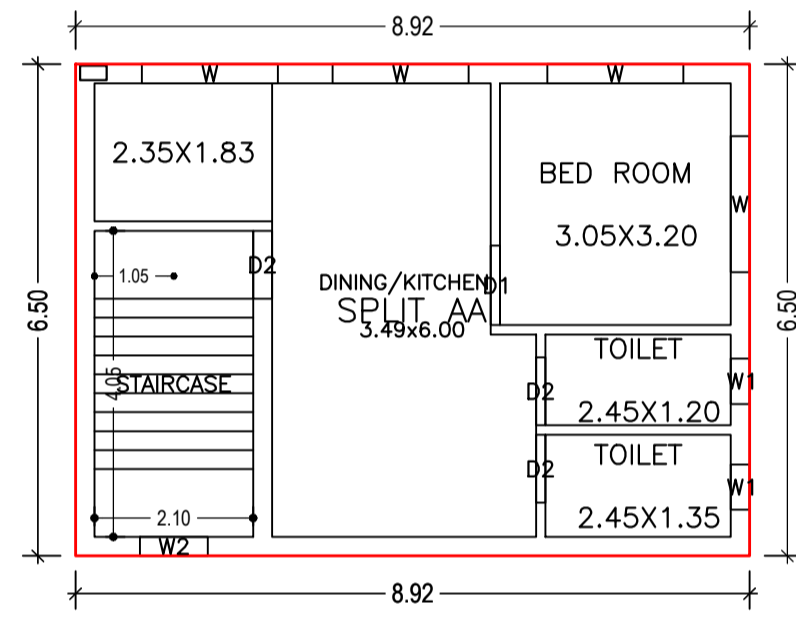


SECTION ON Y-Y

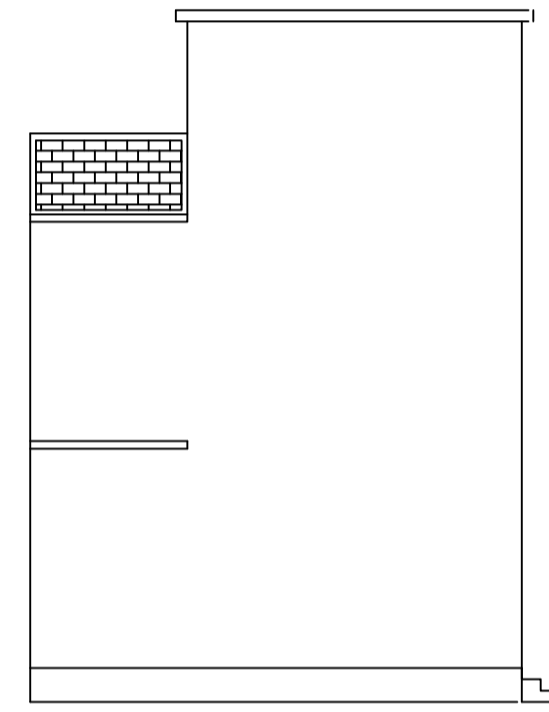


FRONT ELEVATION

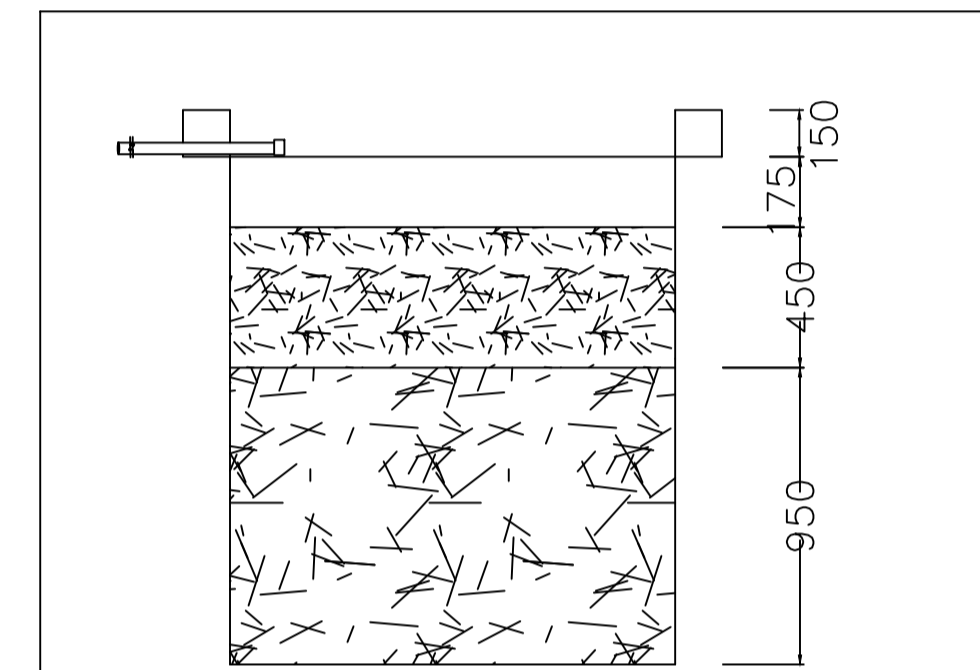
GROUND FLOOR PLAN  
(Proposed)  
(SCALE 1:100)



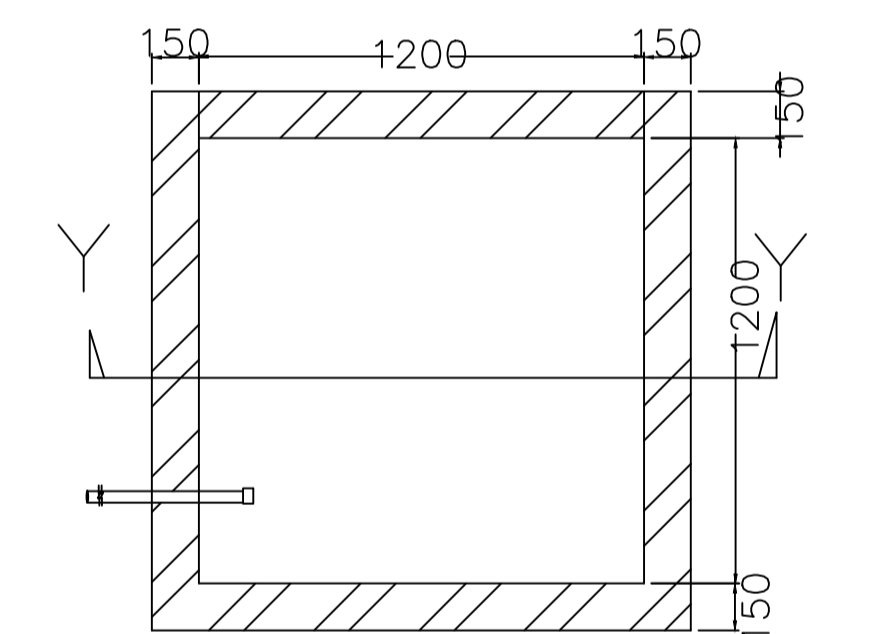
PLAN OF SEPTIC TANK



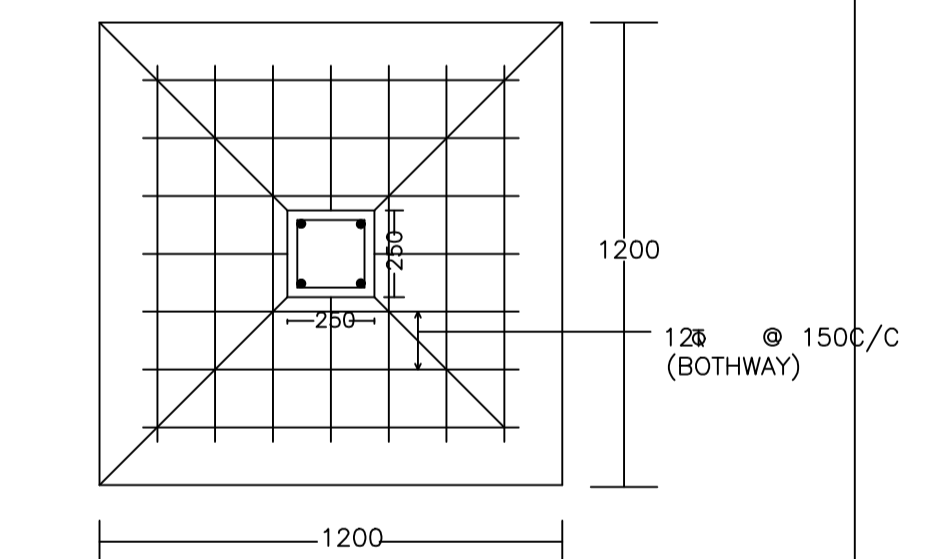
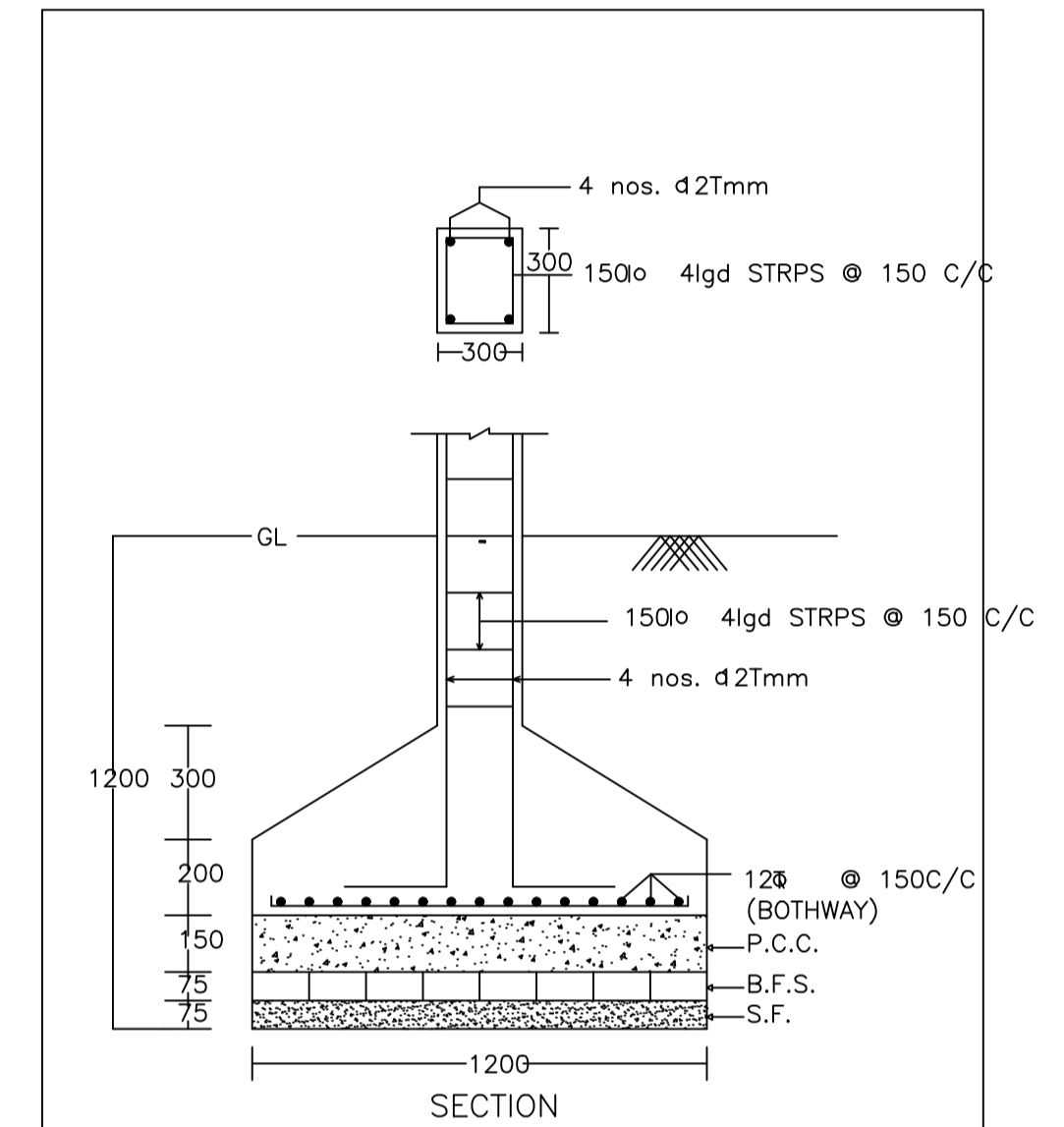
LEFT SIDE ELEVATION



SECTION AT Y-Y

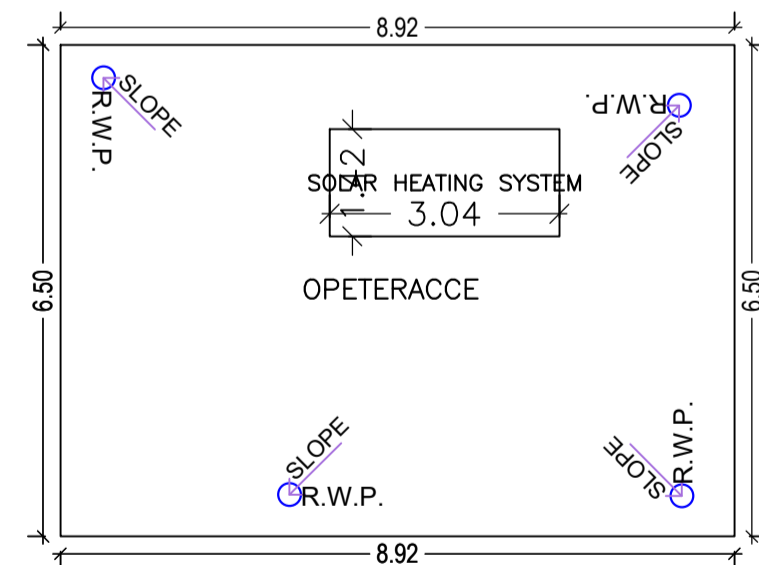


PLAN OF RECHARGE WELL  
WATER HARVESTING

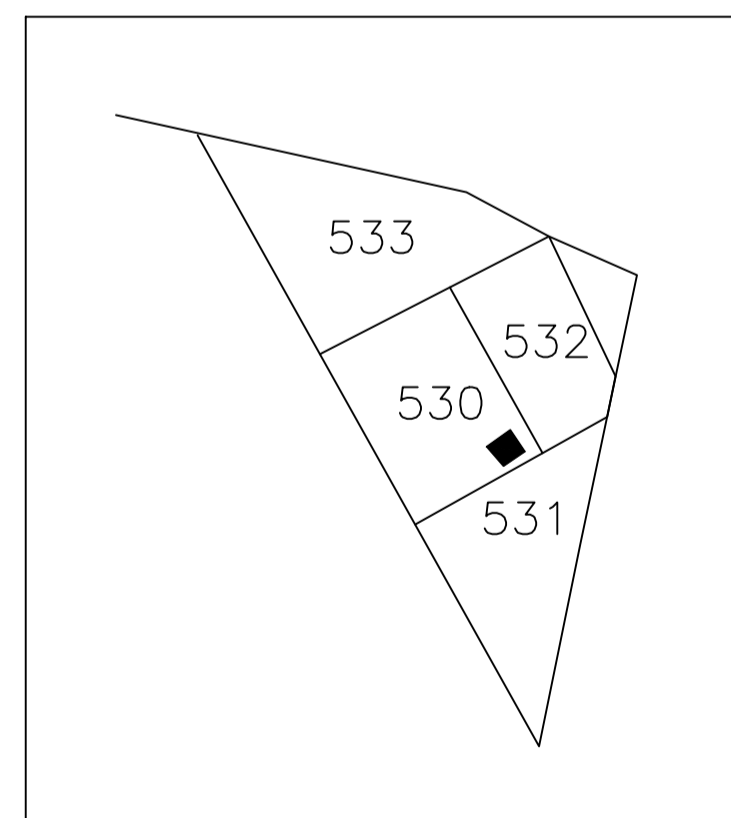
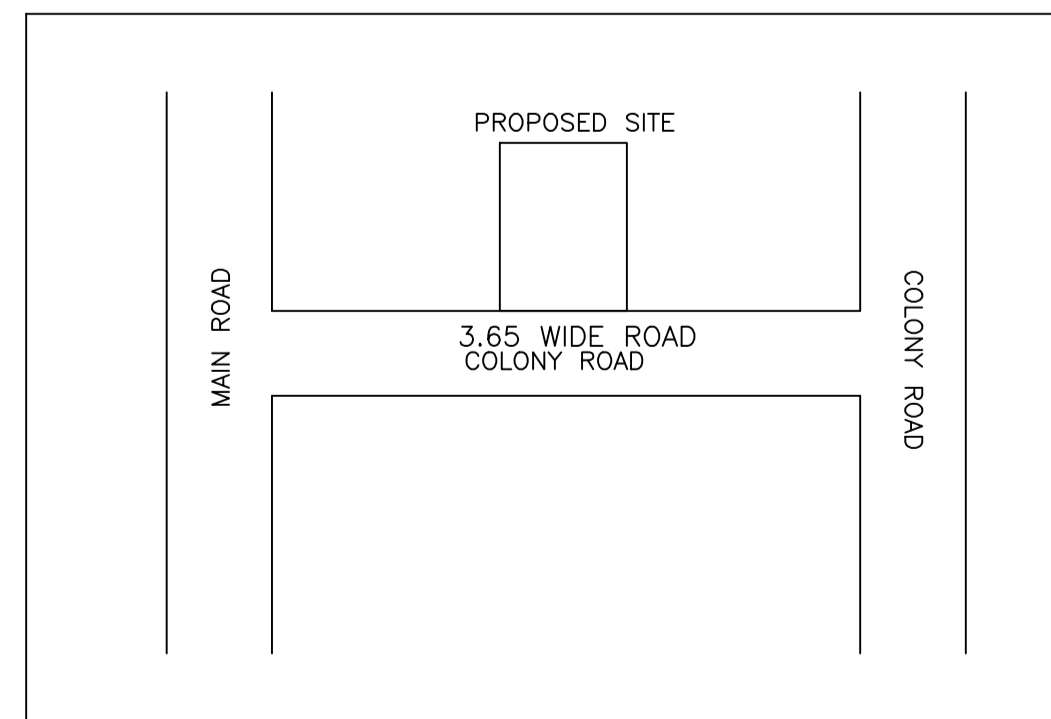


DETAIL OF COLUMNS

FIRST FLOOR PLAN  
(Proposed)  
(SCALE 1:100)



TERRACE FLOOR PLAN  
(SCALE 1:100)



LTP NAME AND SIGNATURE	STRUCTURAL ENG'S NAME AND SIGNATURE	BUILDER NAME AND SIGNATURE	DIGITAL SIGNATURE
PARTHA - PAL DMC/ENG/0021/2016			