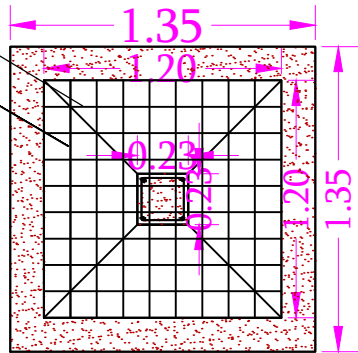
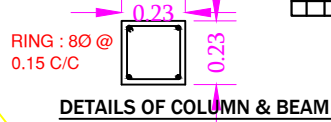


VERTICAL & HORIZONTAL- 12Ø @0.15 C/C



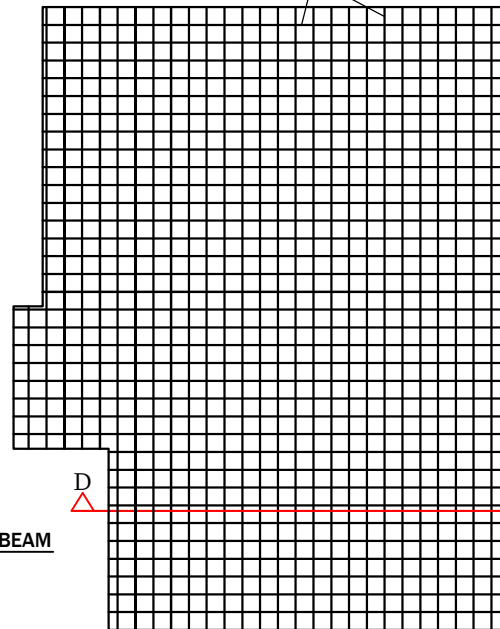
FOUNDATION PLAN

VERTICAL :
4 NOS. - 12Ø

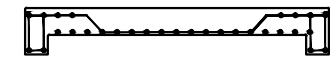
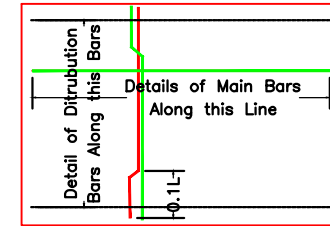


DETAILS OF COLUMN & BEAM

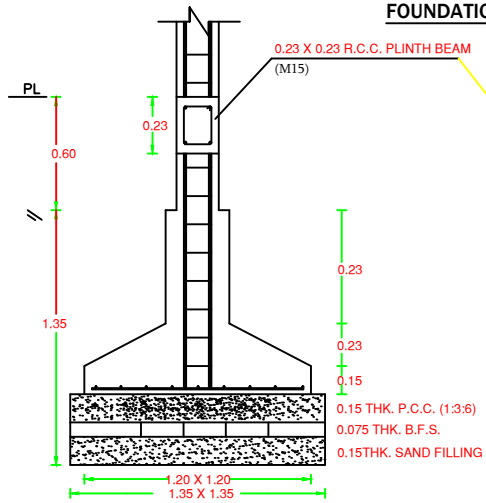
VERTICAL & HORIZONTAL- 12Ø @0.15 C/C



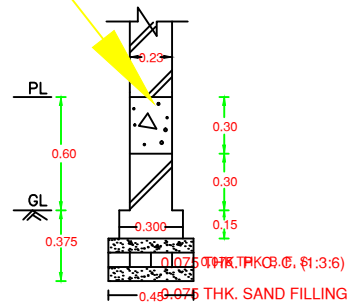
BOTTOM REINFORCEMENT PLAN



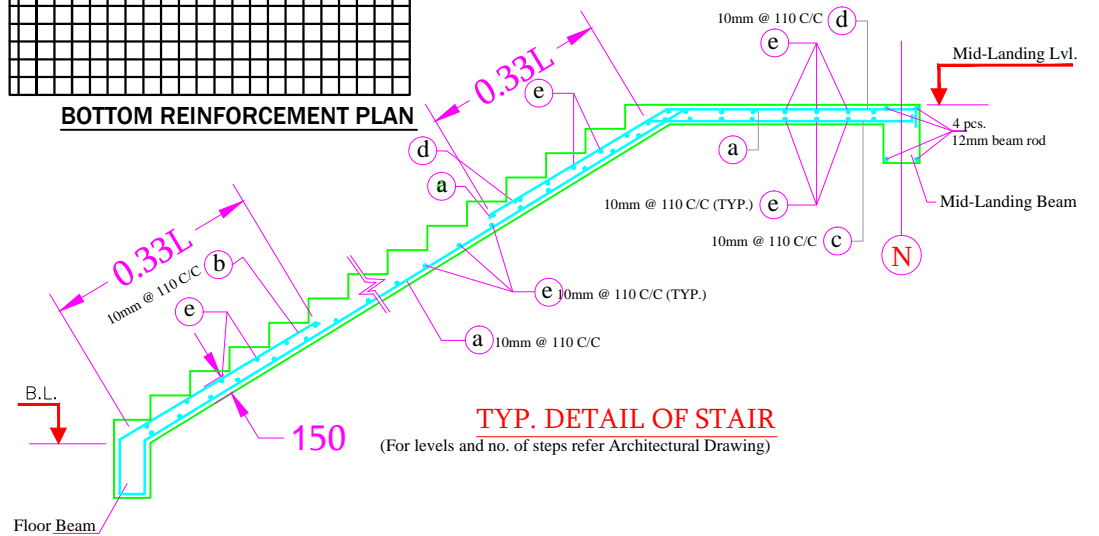
SECTION - D:D



FOUNDATION DETAILS OF COLUMN



FOUNDATION DETAILS OF WALL



TYP. DETAIL OF STAIR

(For levels and no. of steps refer Architectural Drawing)

Structure Detail