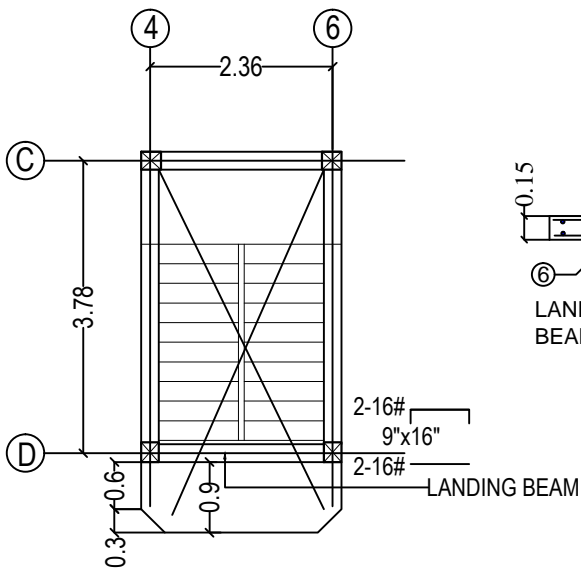
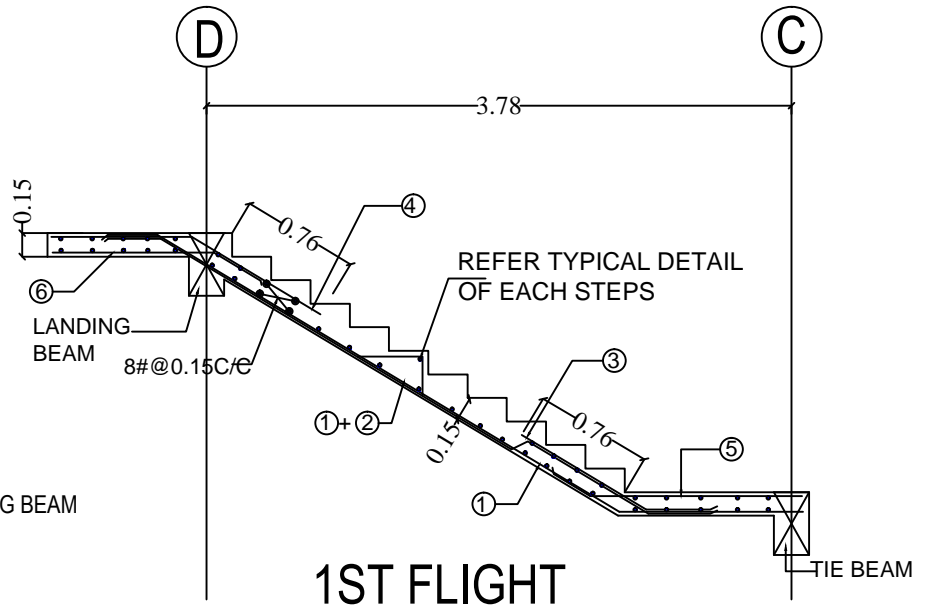


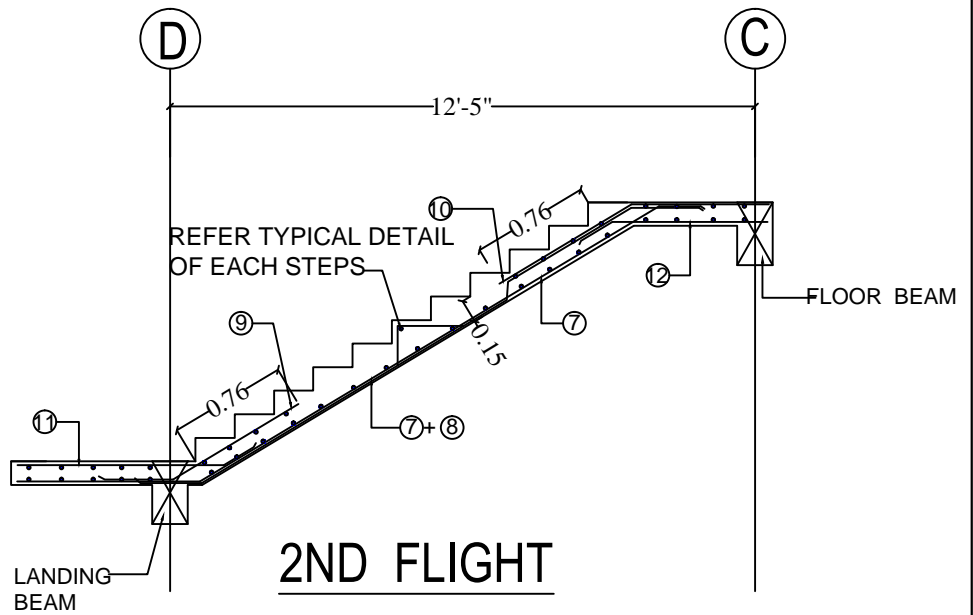
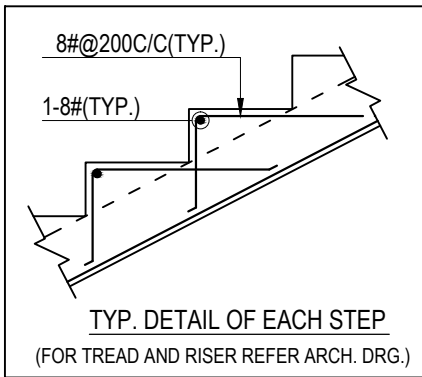
DETAILS OF COLUMN FOOTING



STAIR BEAM LAYOUT PLAN



1ST FLIGHT



2ND FLIGHT