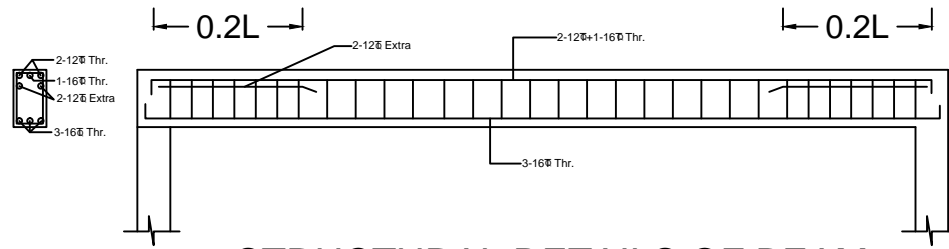


COLUMN DETAILS

SCALE:- 1:50



STRUCTURAL DETAILS OF BEAM

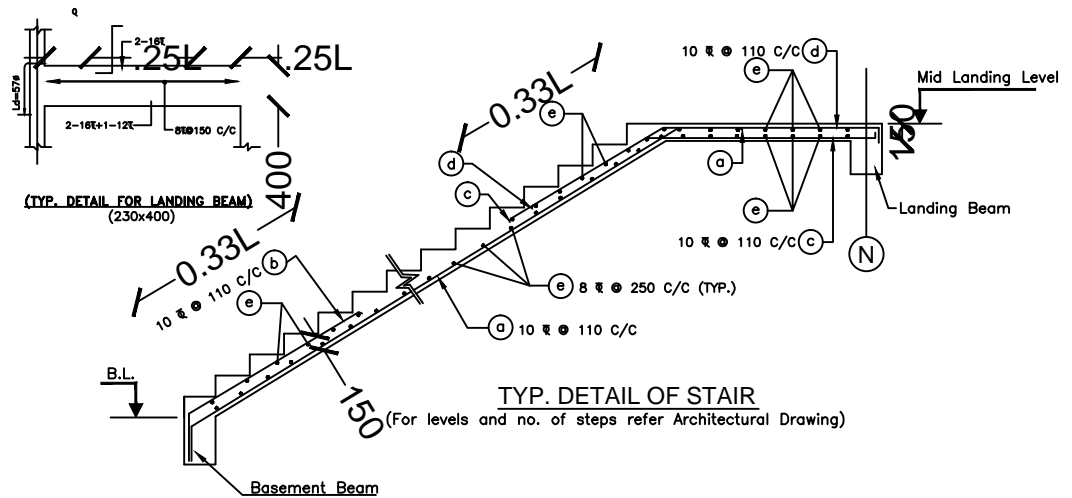
SLAB SCHEDULE (CONC. GRADE M 20)				
THICKNESS OF SLAB = 45 * (EXCEPT MENTIONED OTHERWISE)				
SAD.	SLAB	THIC.	AT SMALLER SPAN (AT LARGER SPAN)	REINFORCEMENT (AT SUPPORT)
L	SL	THIC.	REINFORCEMENT	REINFORCEMENT

EXT. TOP AS BEADER

ALTERNATE CRANDED

TYPICAL

REINFORCEMENT DETAILS OF SLAB



TYP. DETAIL OF STAIR

(For levels and no. of steps refer Architectural Drawing)