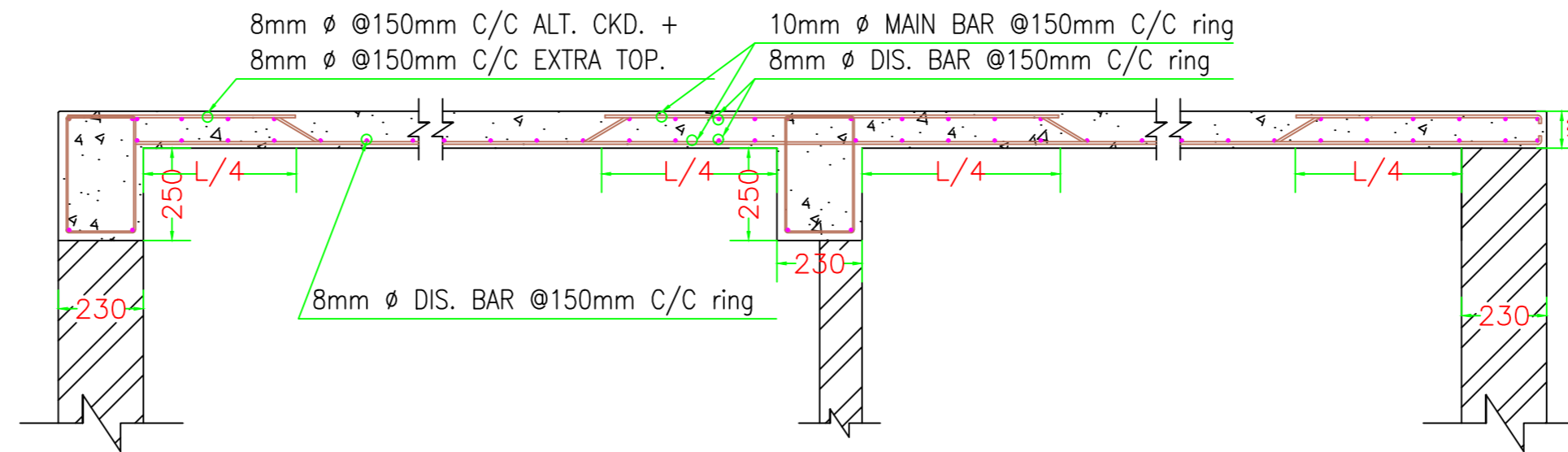
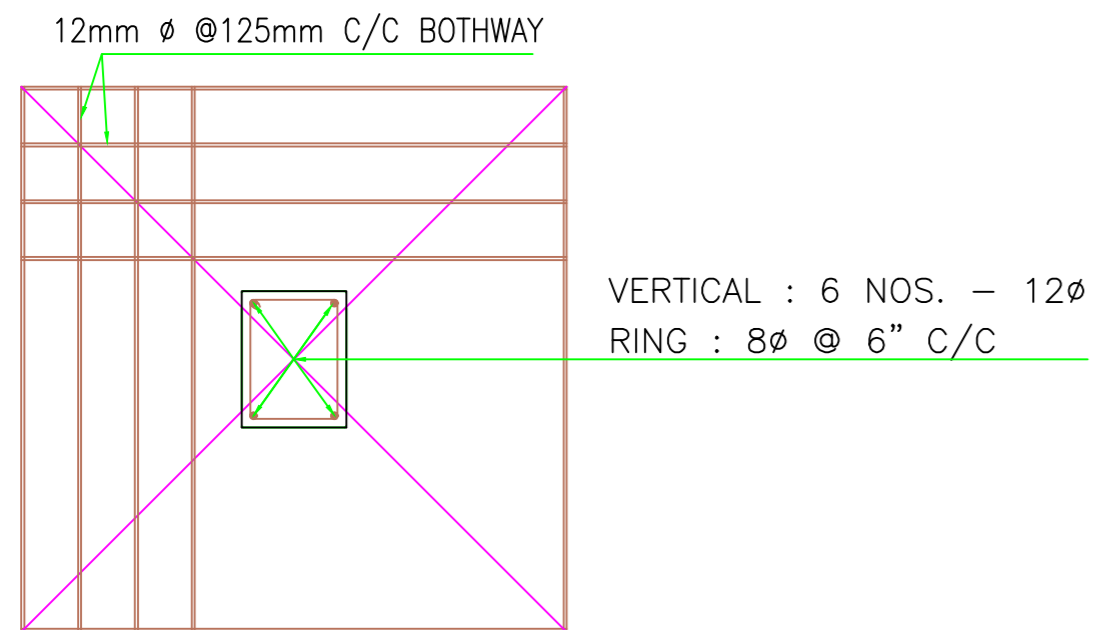
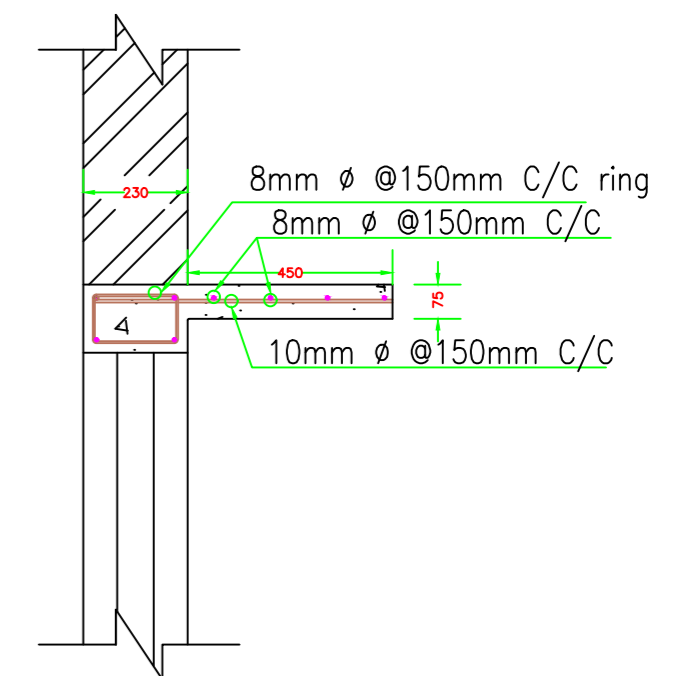


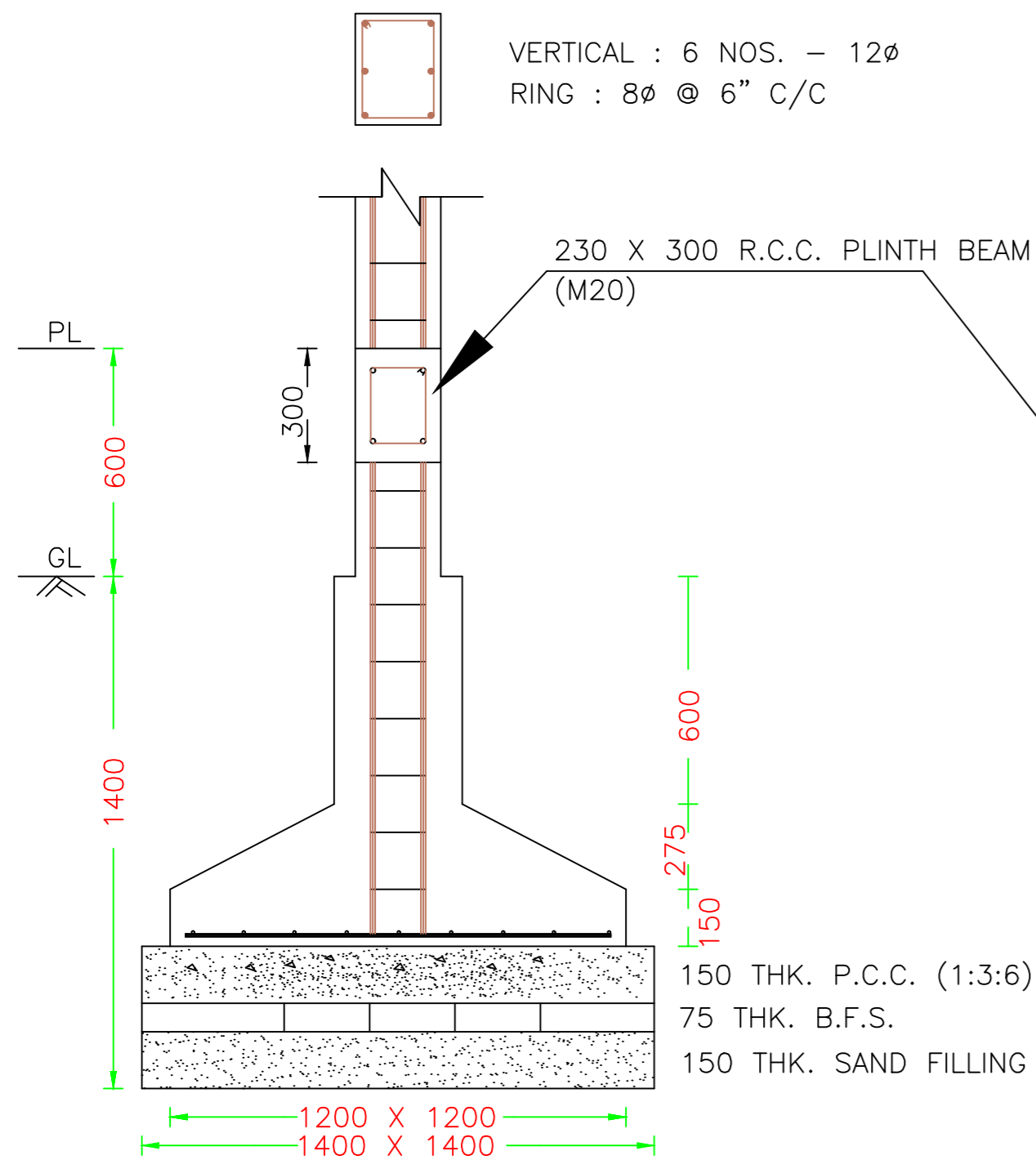
STRUCTURAL DESIGN SAFETY DETAILS



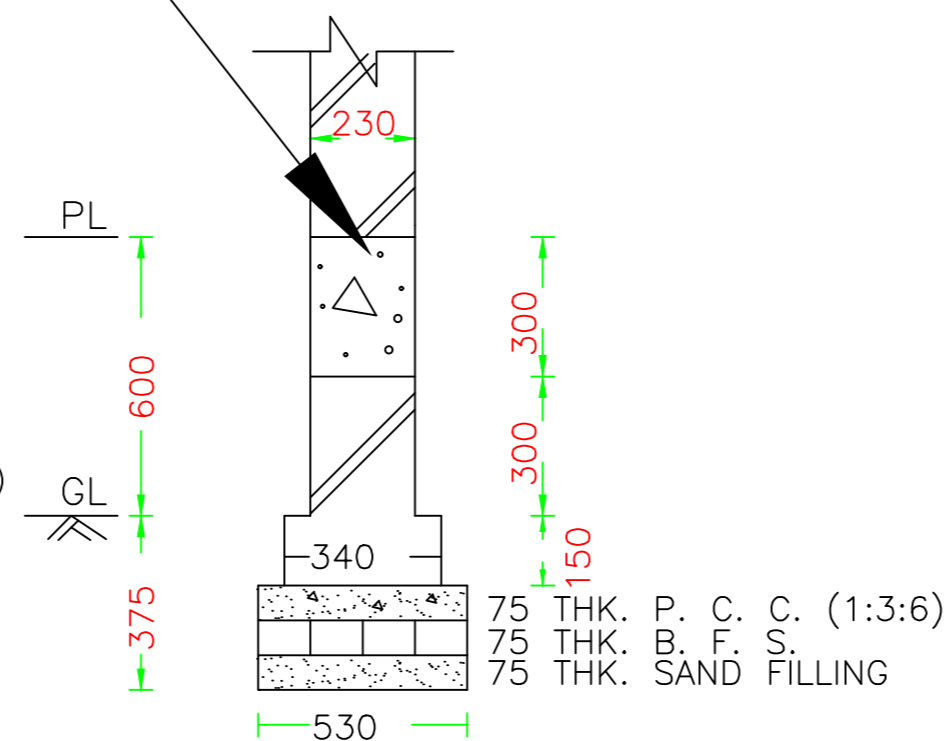
TYPICAL DET. OF R.C.C. SLAB



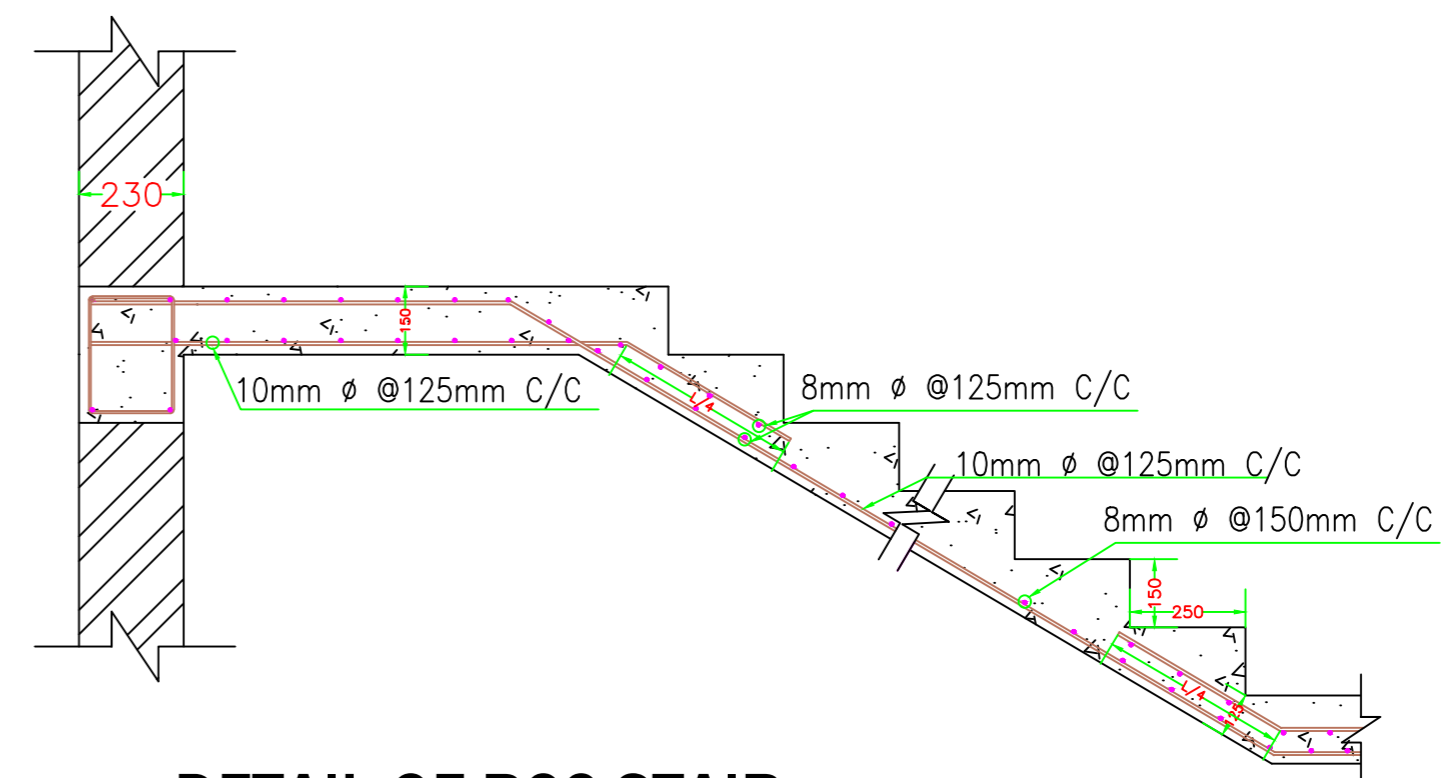
DET. OF R.C.C. CHAJJA



FOUNDATION DETAILS OF COLUMN



FOUNDATION DETAILS OF WALL



DETAIL OF RCC STAIR

DRAWING OF PROPOSED STRUCTURAL DETAILS OF RESIDENTIAL BUILDING OF SMT INDU DEVI W/O LATE ANIL KUMAR SINGH UNDER MOUZA BHELATAND, MOUZA NO. 89, KHATA NO. NEW 89 (OLD 42), PLOT NO. : NEW 1183 (OLD-809 & 810) UNDER PS GOVINDPUT DIST. DHANBAD, IN THE STATE OF JHARKHAND