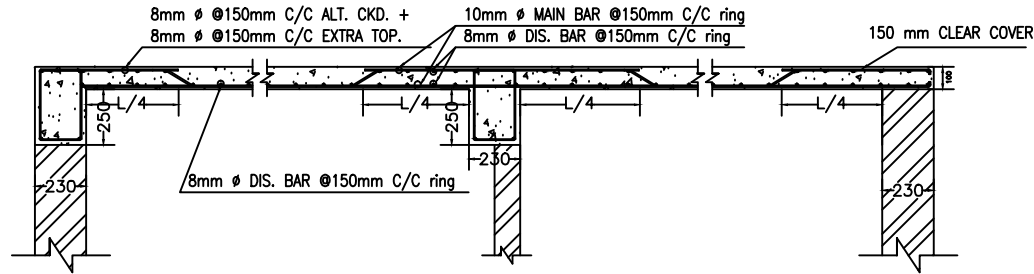
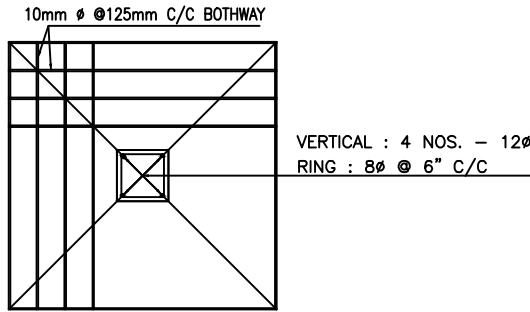
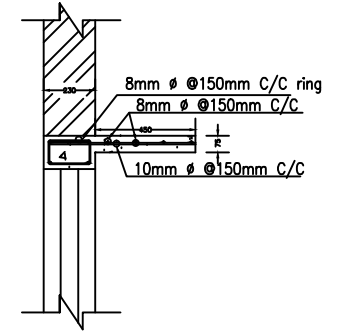


STRUCTURAL DESIGN SAFETY DETAILS.



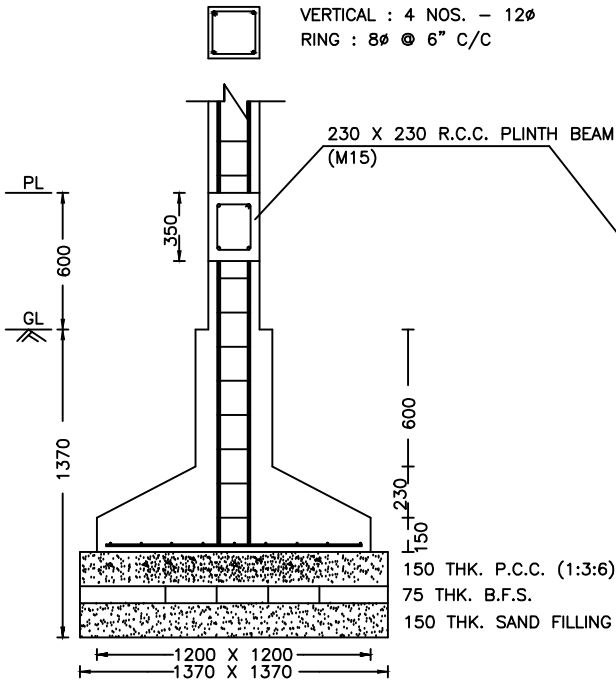
TYPICAL DET. OF R.C.C. SLAB

(Dim in mm)



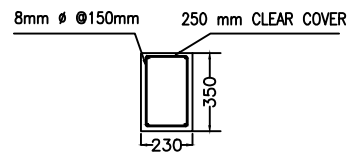
DET. OF R.C.C. CHAJJA

(Dim in mm)



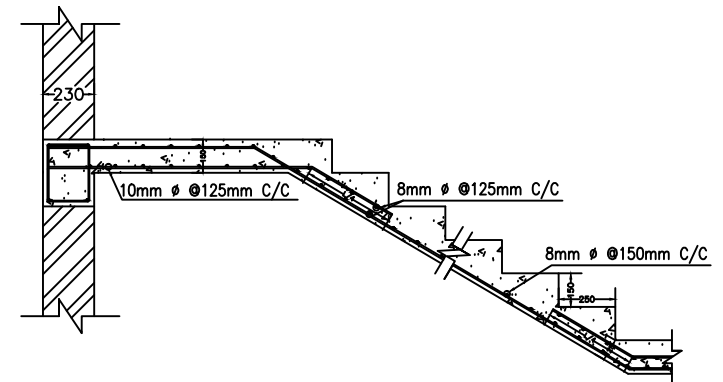
FOUNDATION DETAILS OF COLUMN

(Dim in mm)



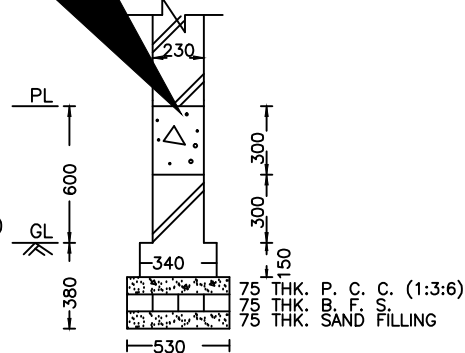
DET. OF R.C.C. BEAM

(Dim in mm)



DET. OF R.C.C. SRAIR

(Dim in mm)



FOUNDATION DETAILS OF WALL

(Dim in mm)

TITLE OF DRAWING

PLAN OF RESIDENTIAL BUILDING OF  
 SMT MEENA DEVI, W/O SRI RAMDEV PRASAD, OF JAI  
 PRAKASH NAGAR GALI NO - 04, DHANBAD, UNDER  
 MOUZA- BHELATAND NO- 89, OLD KHATA NO- 22, NEW  
 KHATA NO- 166, OLD PLOT NO- 2081,2082, NEW PLOT NO-  
 1616, DIDT - DHANBAD, (JHARKHAND).