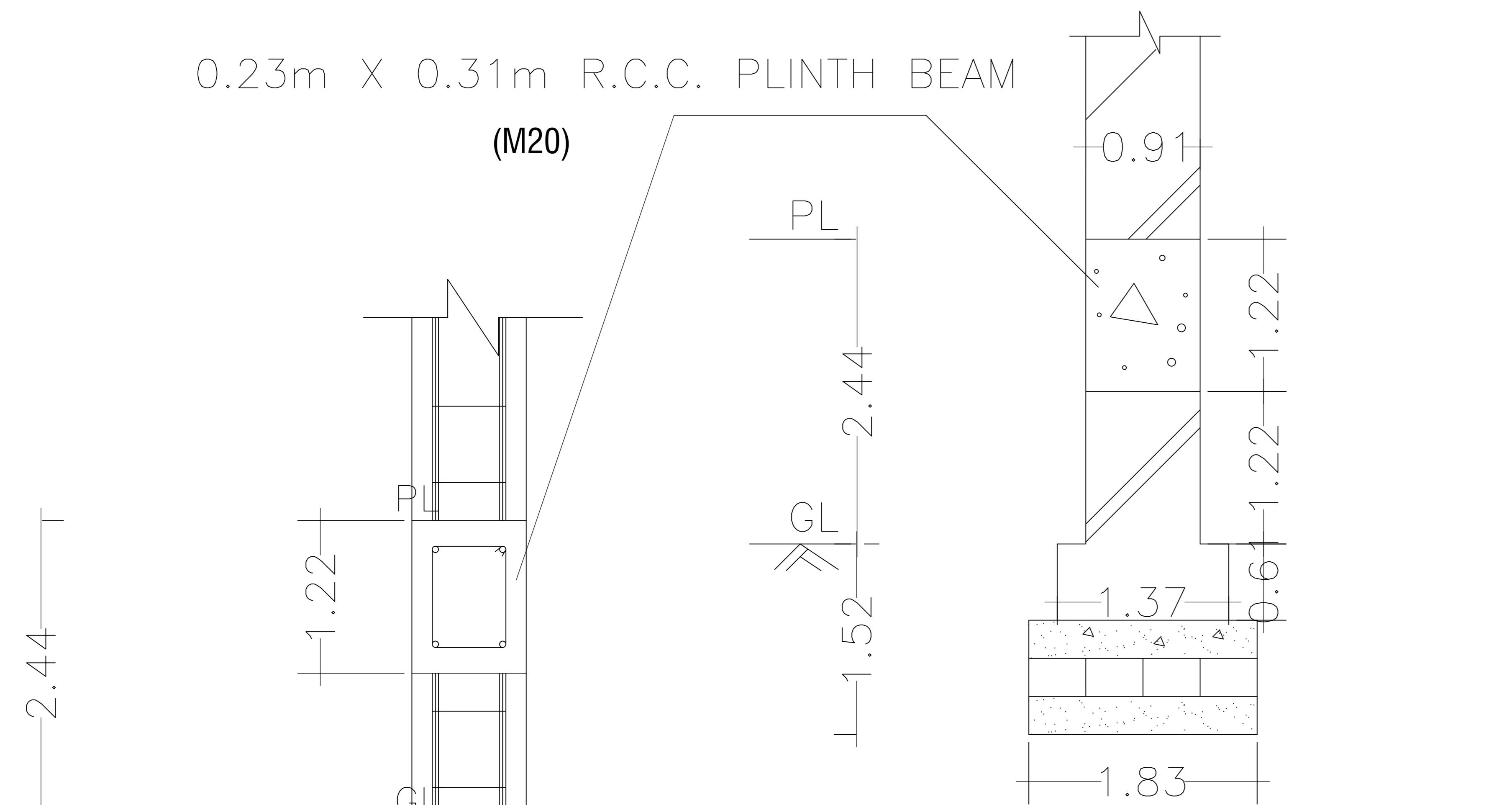


0.23m X 0.31m R.C.C. PLINTH BEAM
(M20)



FOUNDATION DETAILS OF WALL

FOUNDATION DETAILS OF COLUMN

SCALE - 0.02m = 1.2m

THK. P.C.C. (1:3:6)
THK. B.F.S.
THK. SAND FILLING

SLAB SCHEDULE (CONC. GRADE M 20)				
THICKNESS OF SLAB = 4.5 * (EXCEPT MENTIONED OTHERWISE)				
S.NO.	SLAB MARKED	THK.	AT SMALLER SPAN alternate cranked at support	AT LONGER SPAN alternate cranked at support
1.	S1	0.1m	08 mm. Top 0.18m c/c alternate cranked at support	08 mm. Top 0.18m c/c alternate cranked at support

TYPICAL REINFORCEMENT DETAILS OF SLAB

