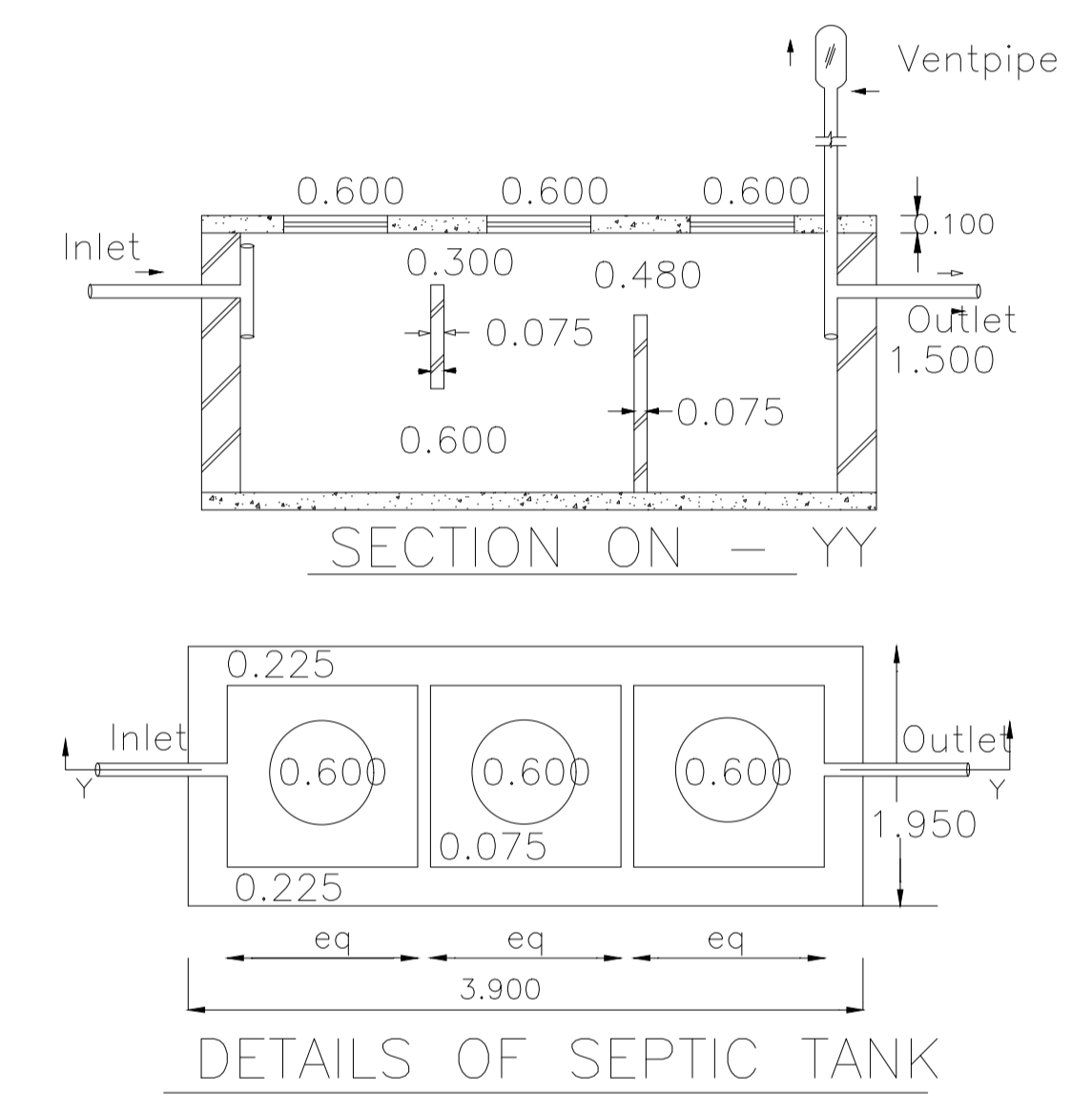
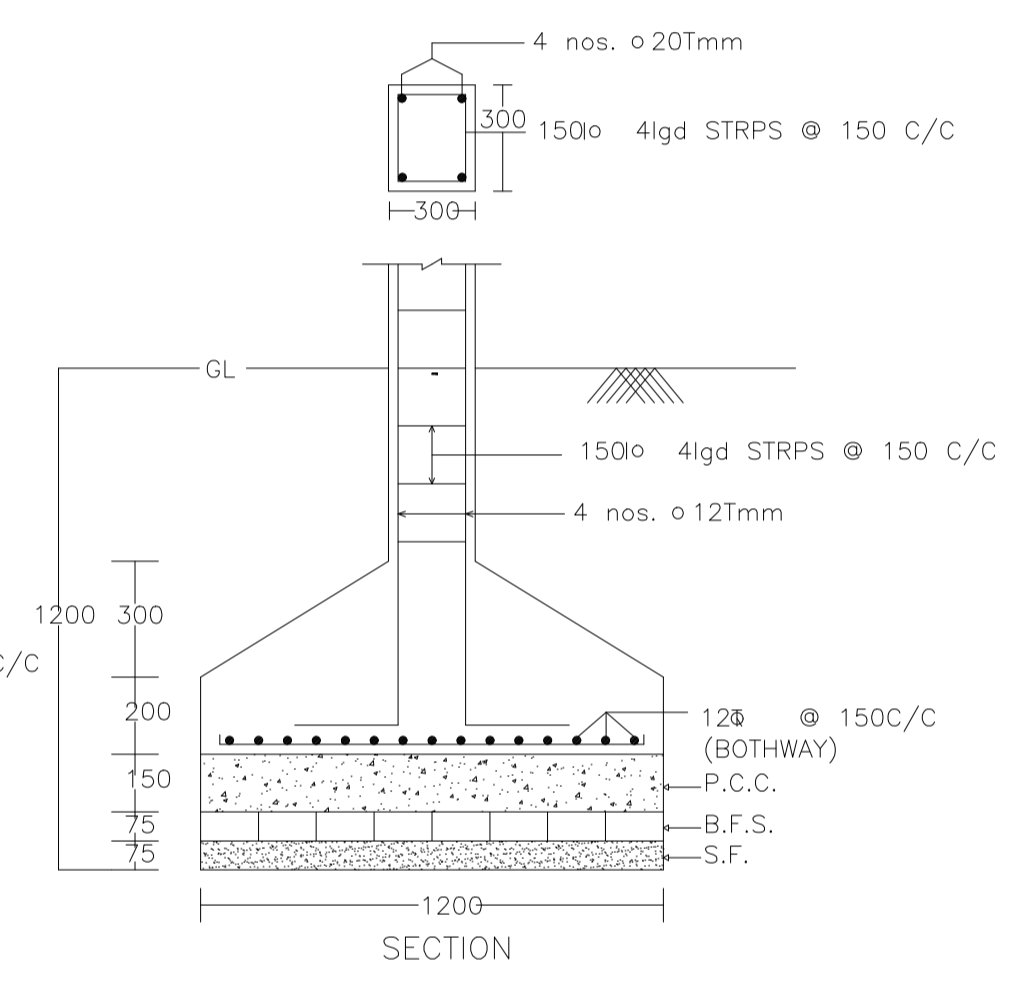
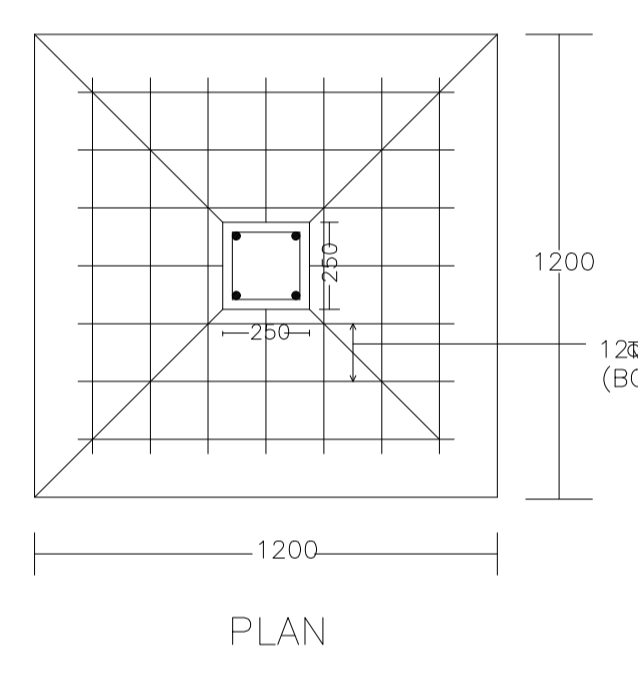
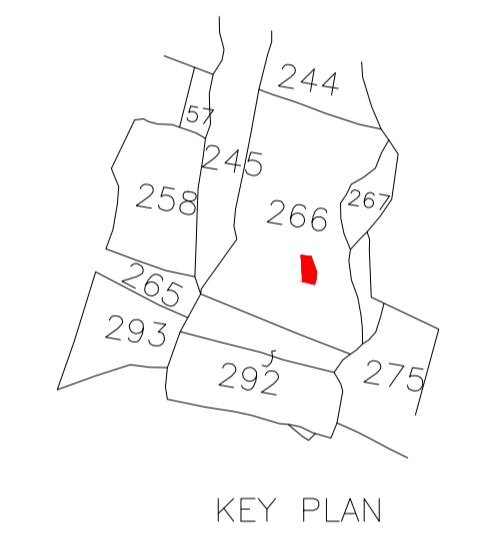
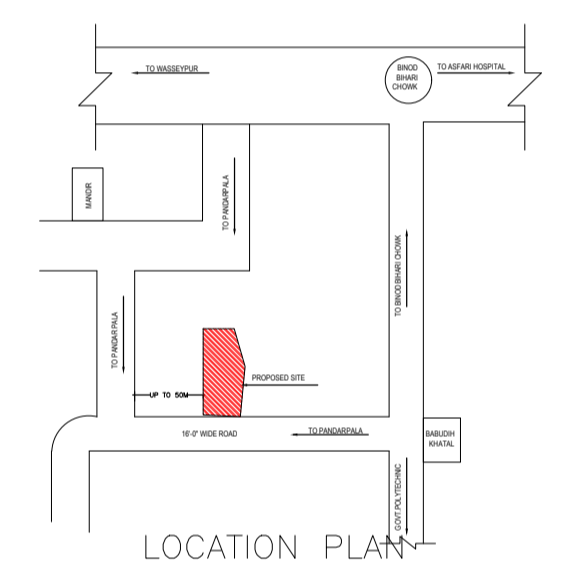
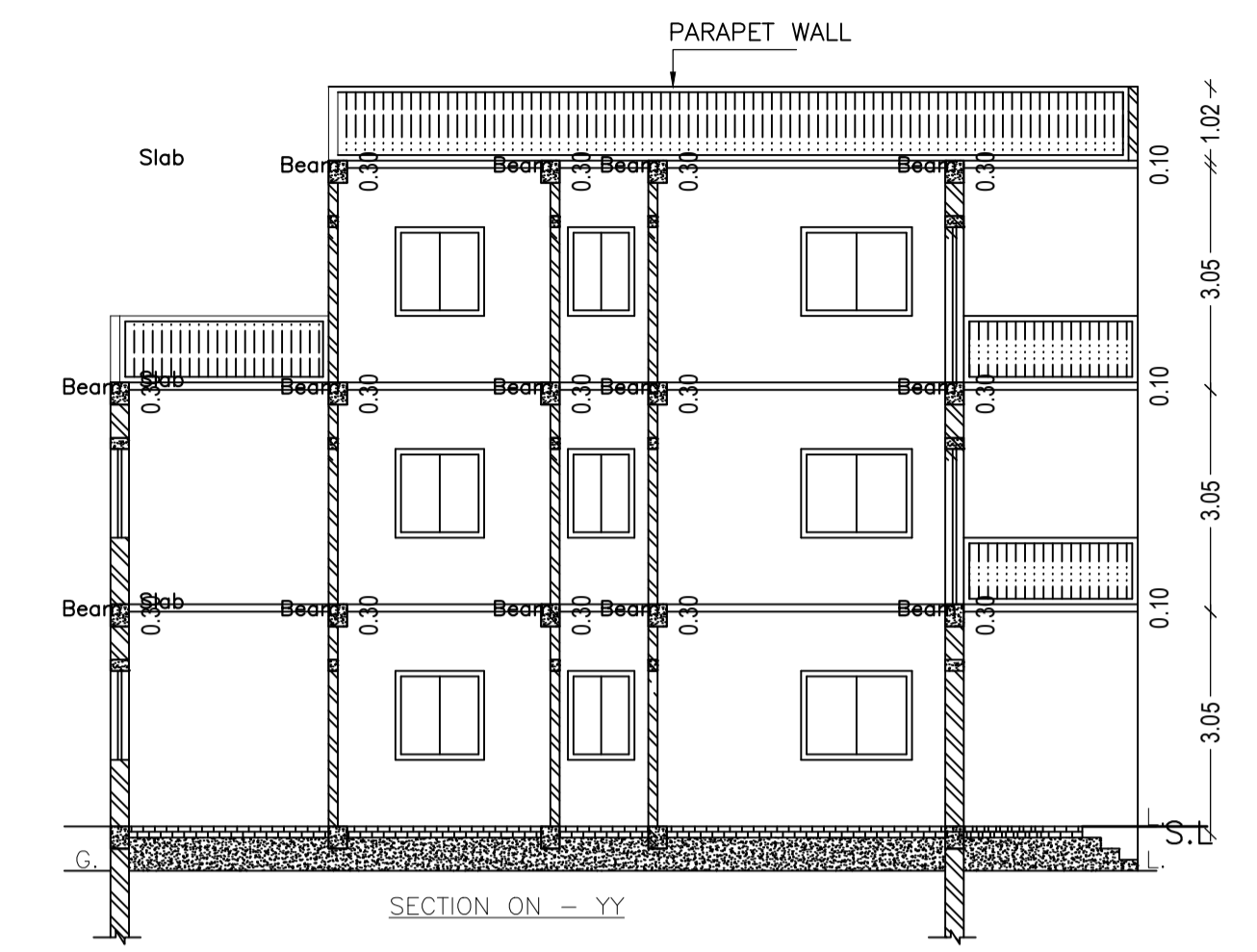
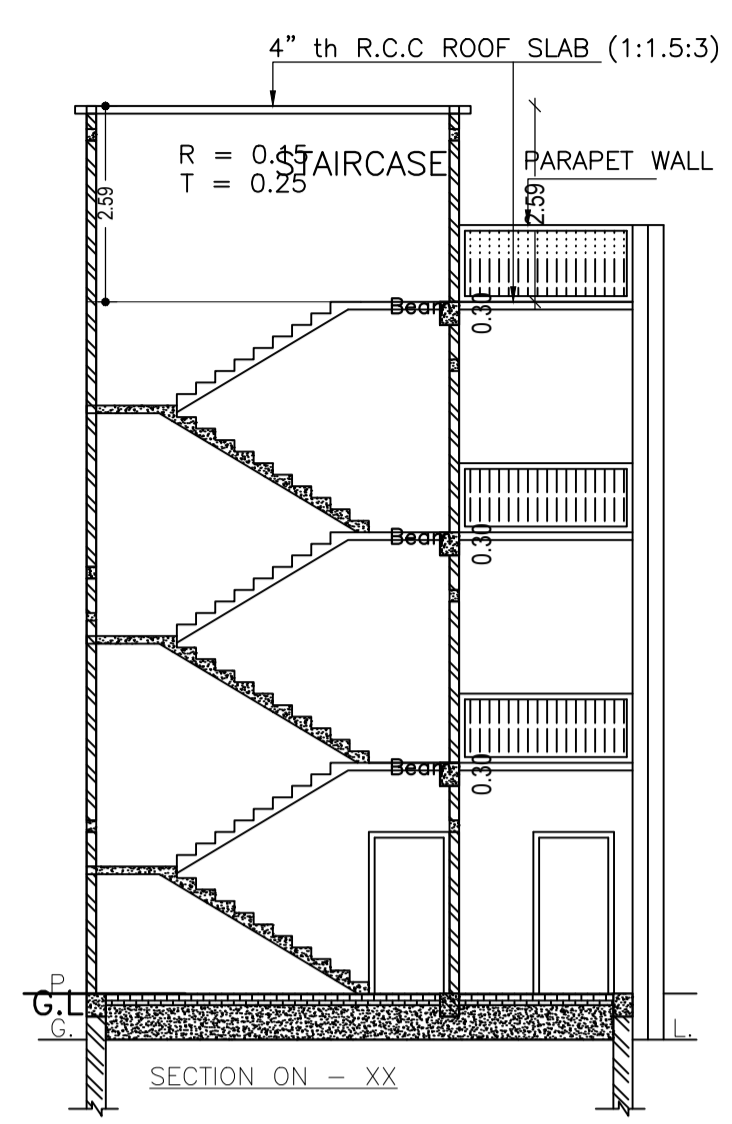
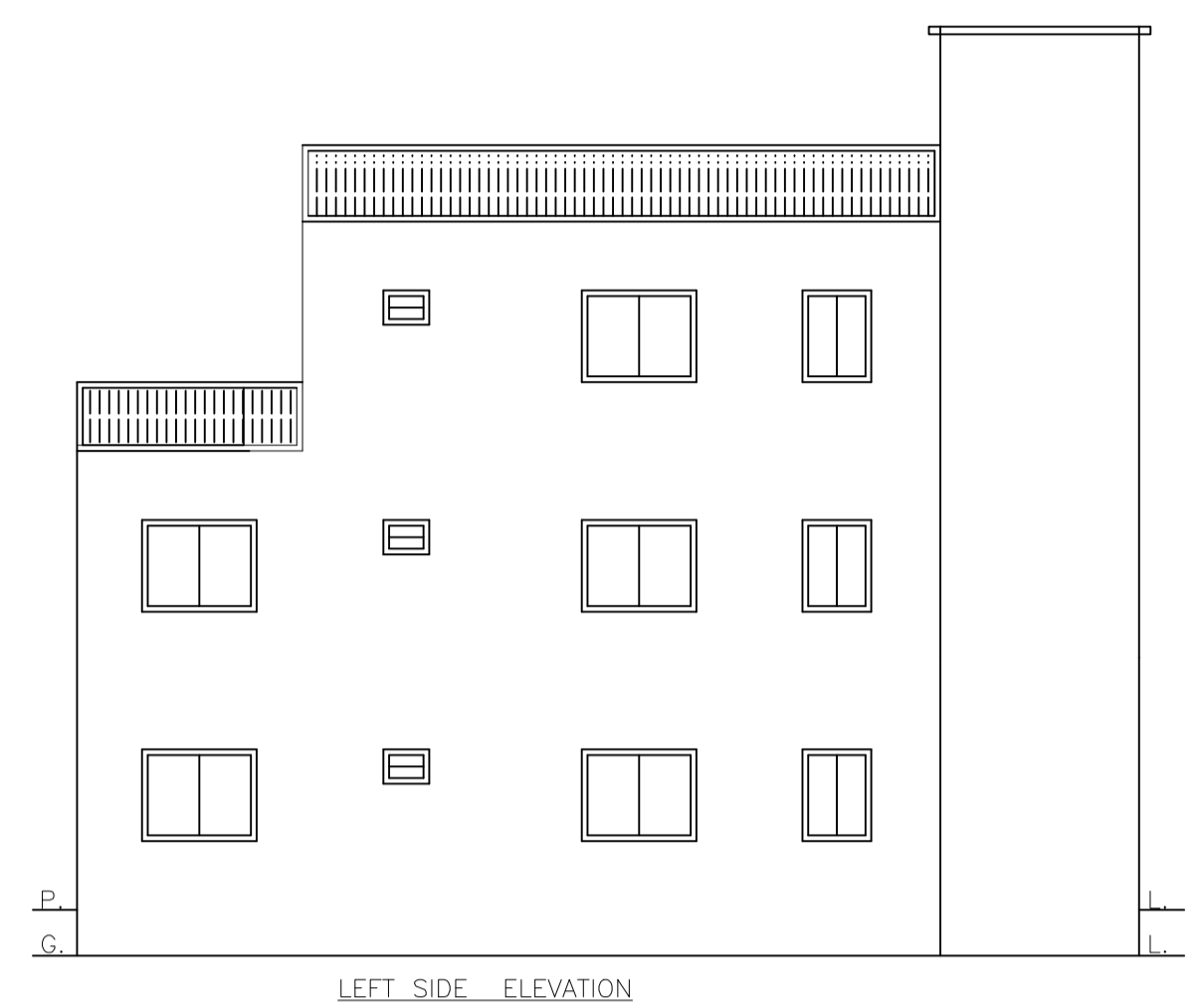
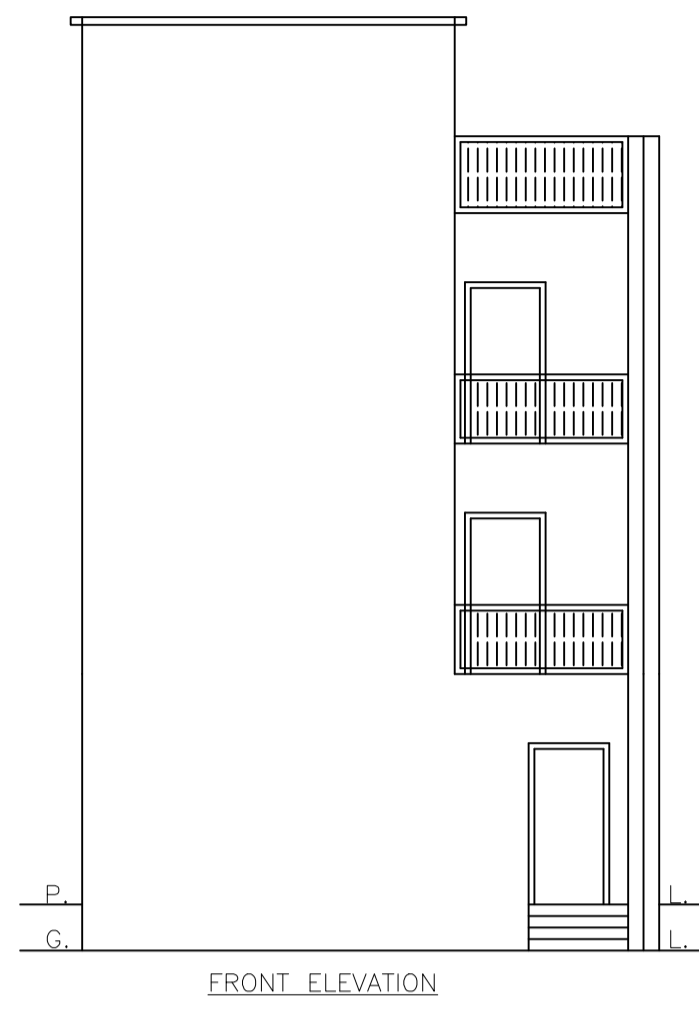
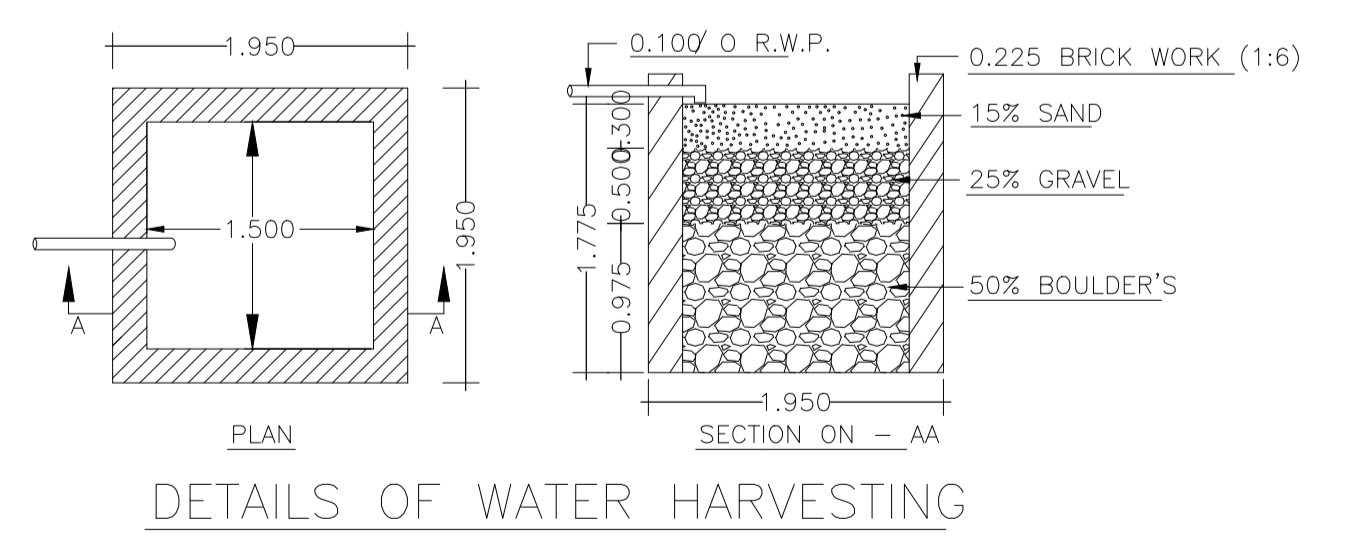
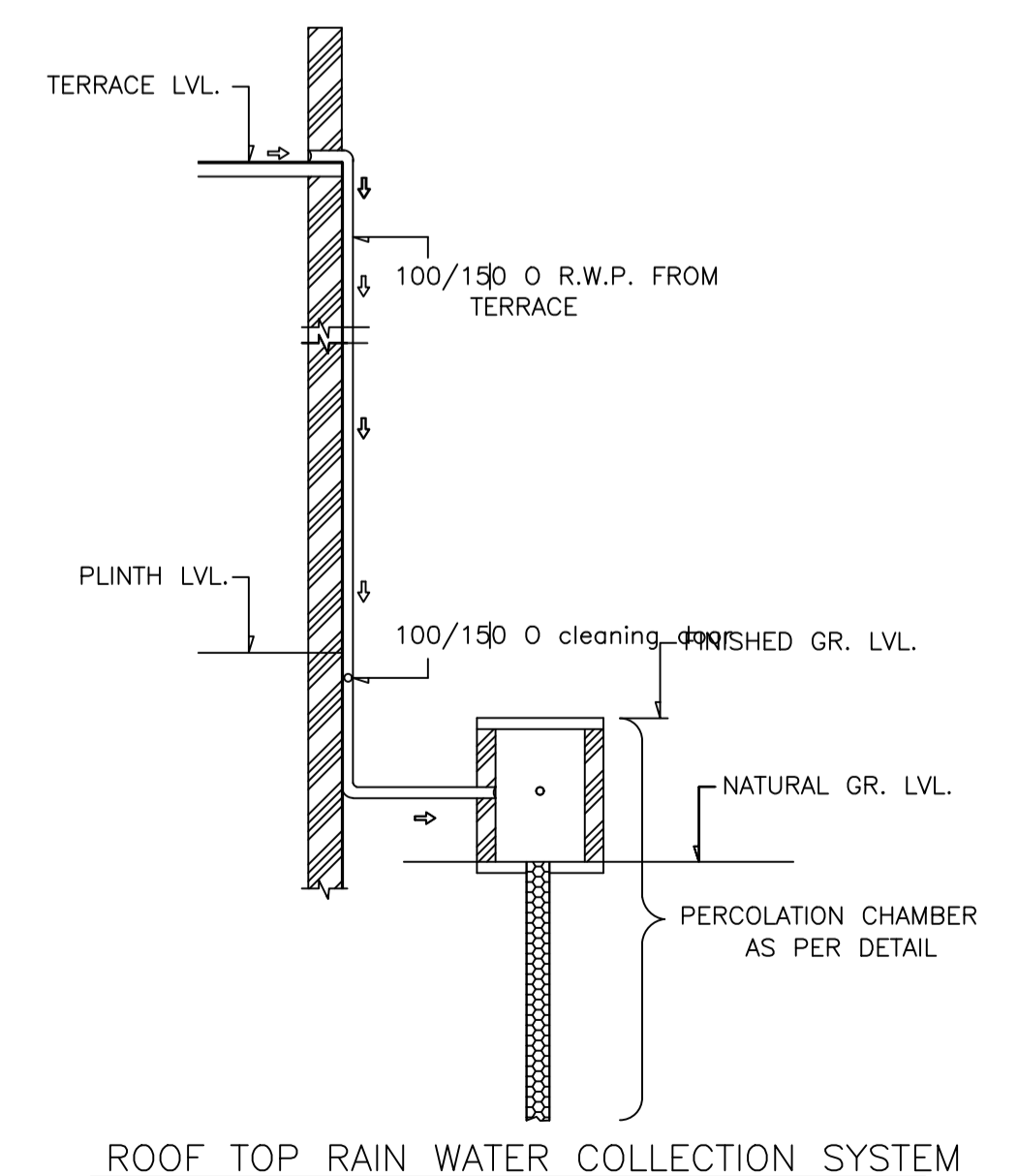
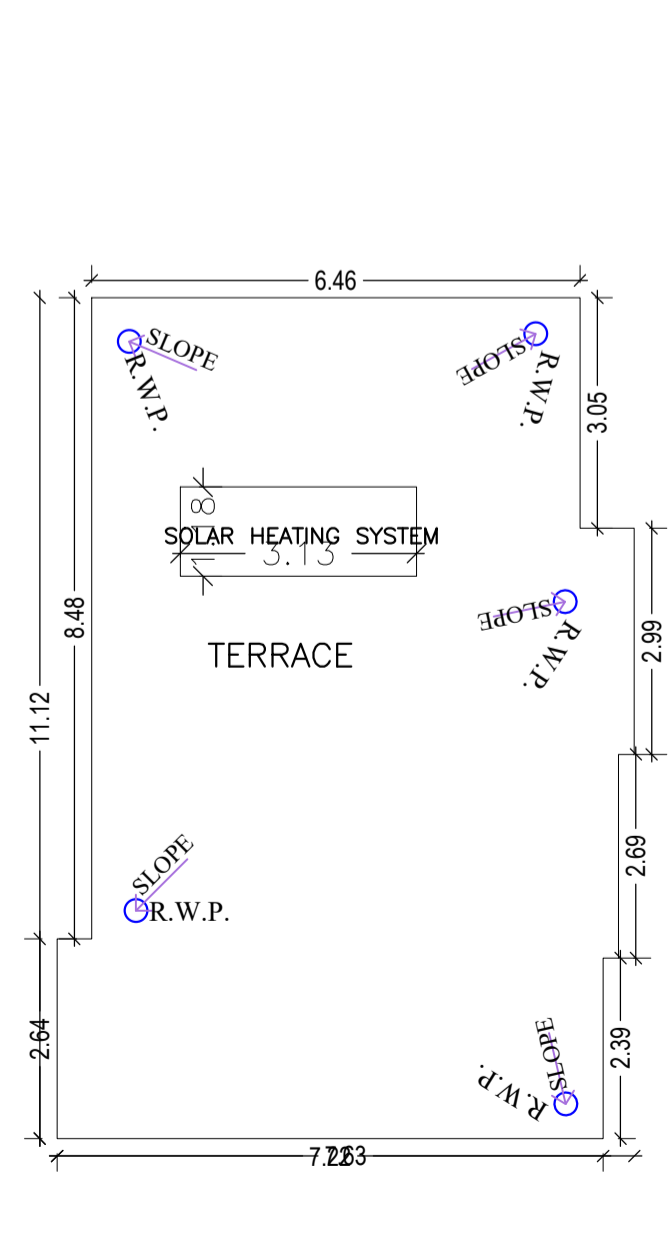
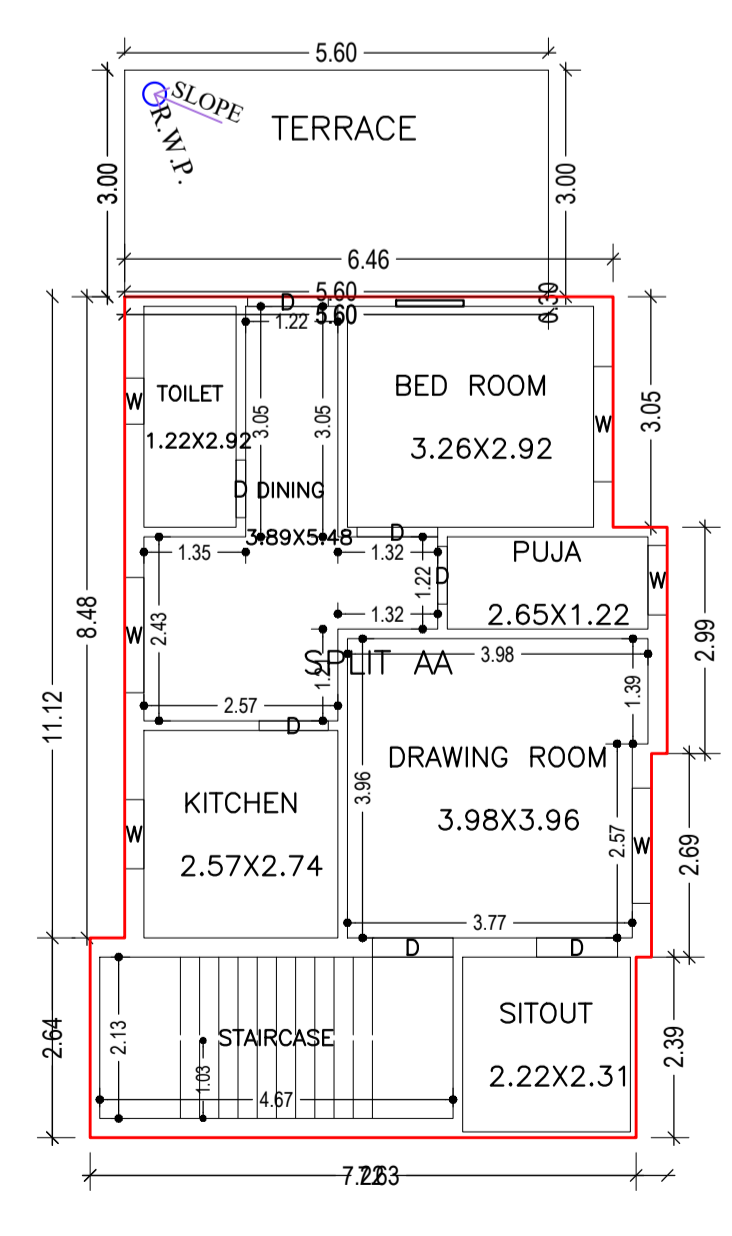
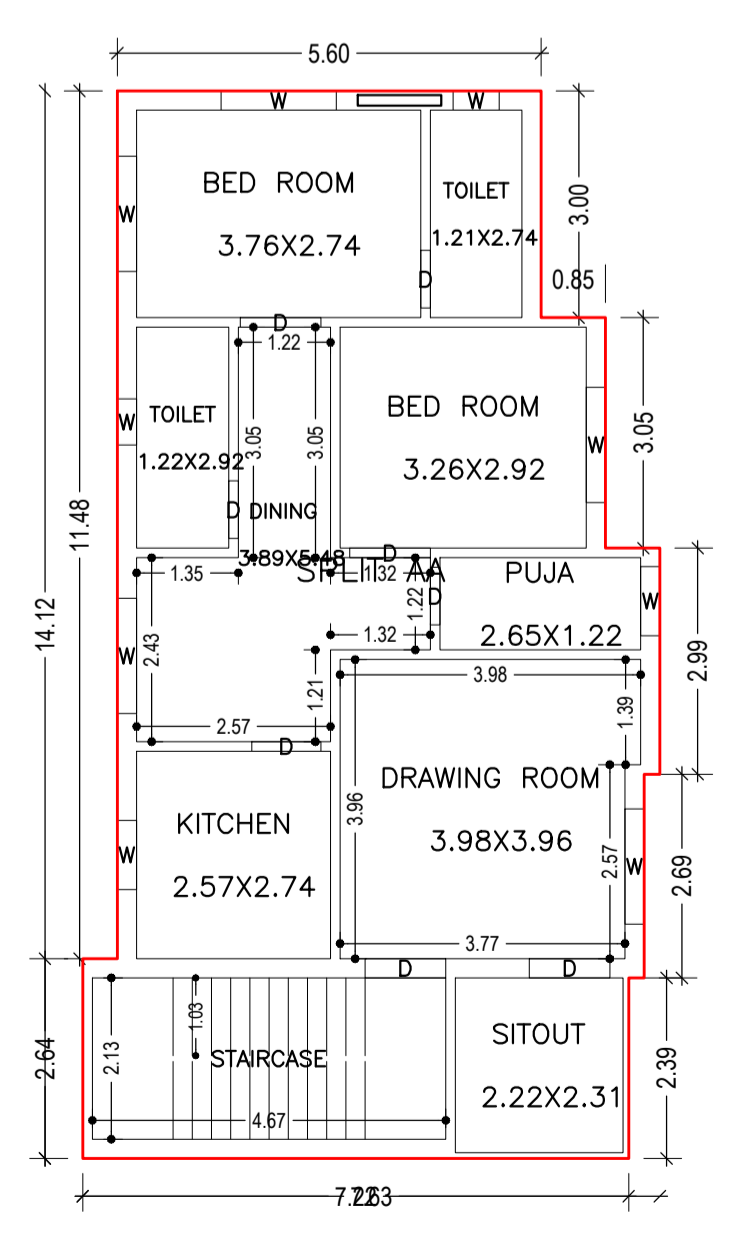
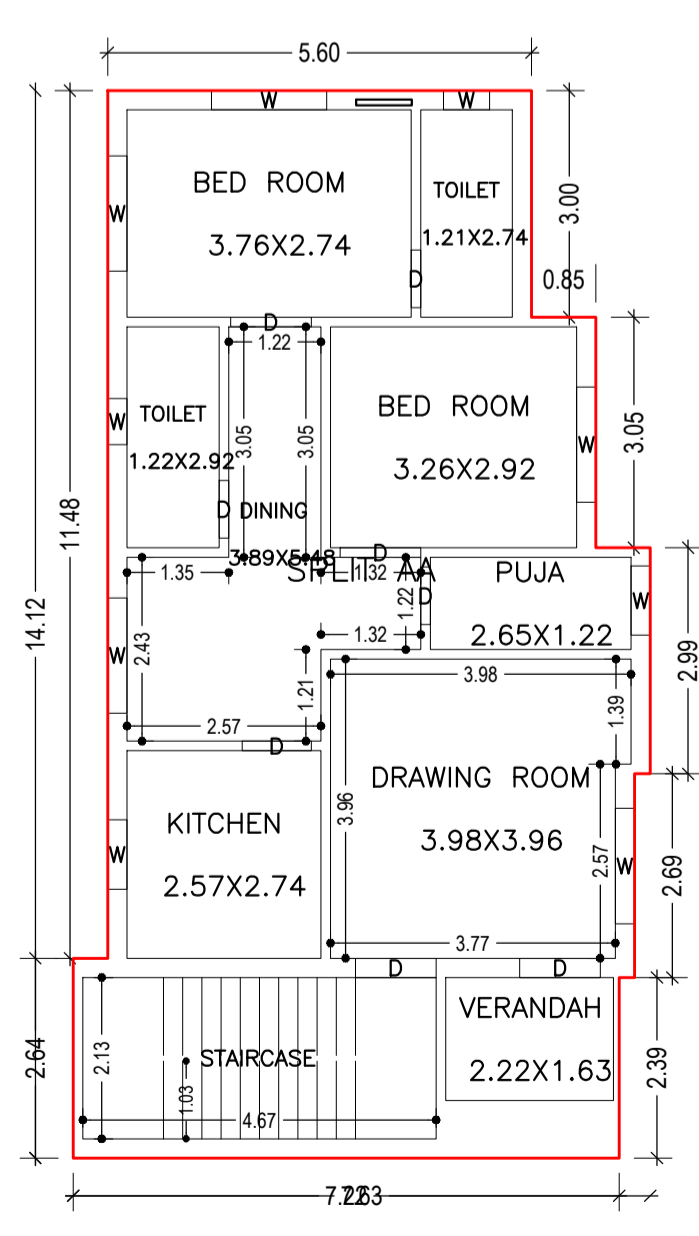


Proposal Basic Information	
Proposal File No.	DMC/BP/0286/W18/2021
Owner Name	Sri Navjit Kumar Singh
Khata No	OLD - 07 , NEW - 644
Plot No	OLD - 263 , NEW - 266
Village Name	Panderpala
Use	Residential
SubUse	Bungalow/ Dwelling / Non Apartment



DETAIL OF COLUMNS



LTP NAME AND SIGNATURE	STRUCTURAL ENG'S NAME AND SIGNATURE	BUILDER NAME AND SIGNATURE	DIGITAL SIGNATURE
AMARENDRA KUMAR DMC/ENG/0009/2016			