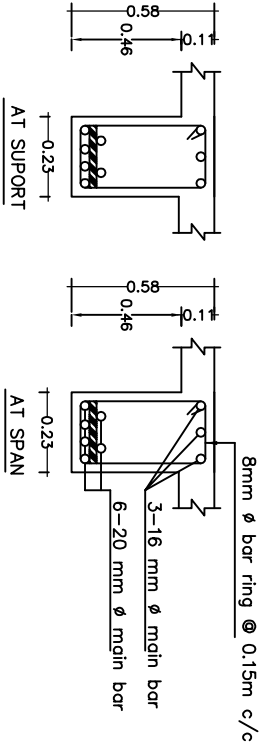
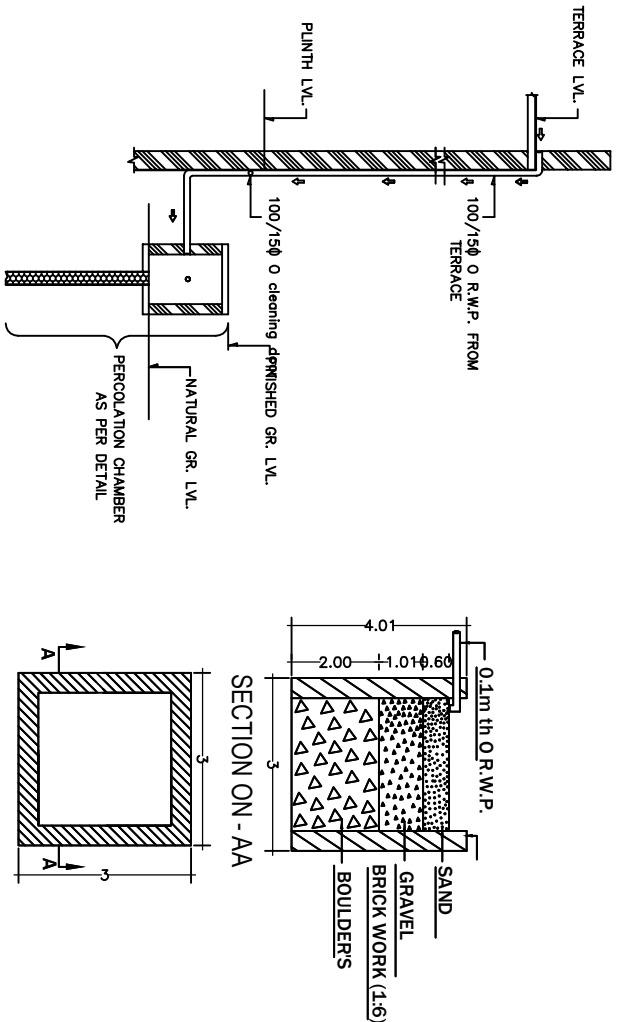


DETAILS OF TYPICAL COLUMN FOOTING

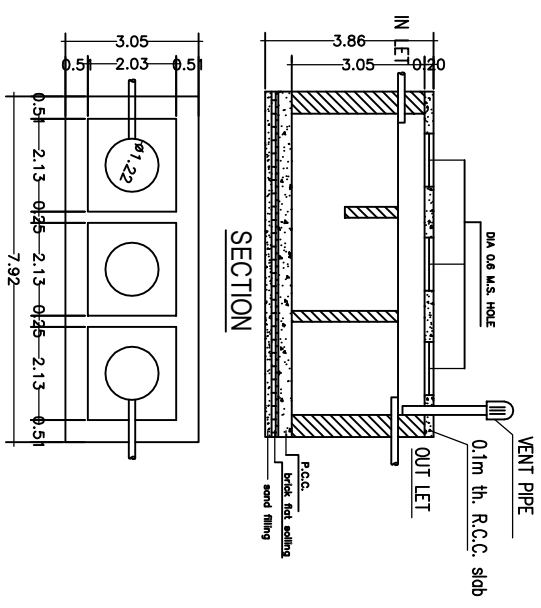


DETAILS OF TYPICAL ROOF BEAM



ROOF TOP RAIN WATER COLLECTION SYSTEM

DETAILS OF WATER HARVESTING



DETAILS OF SEPTIC TANK