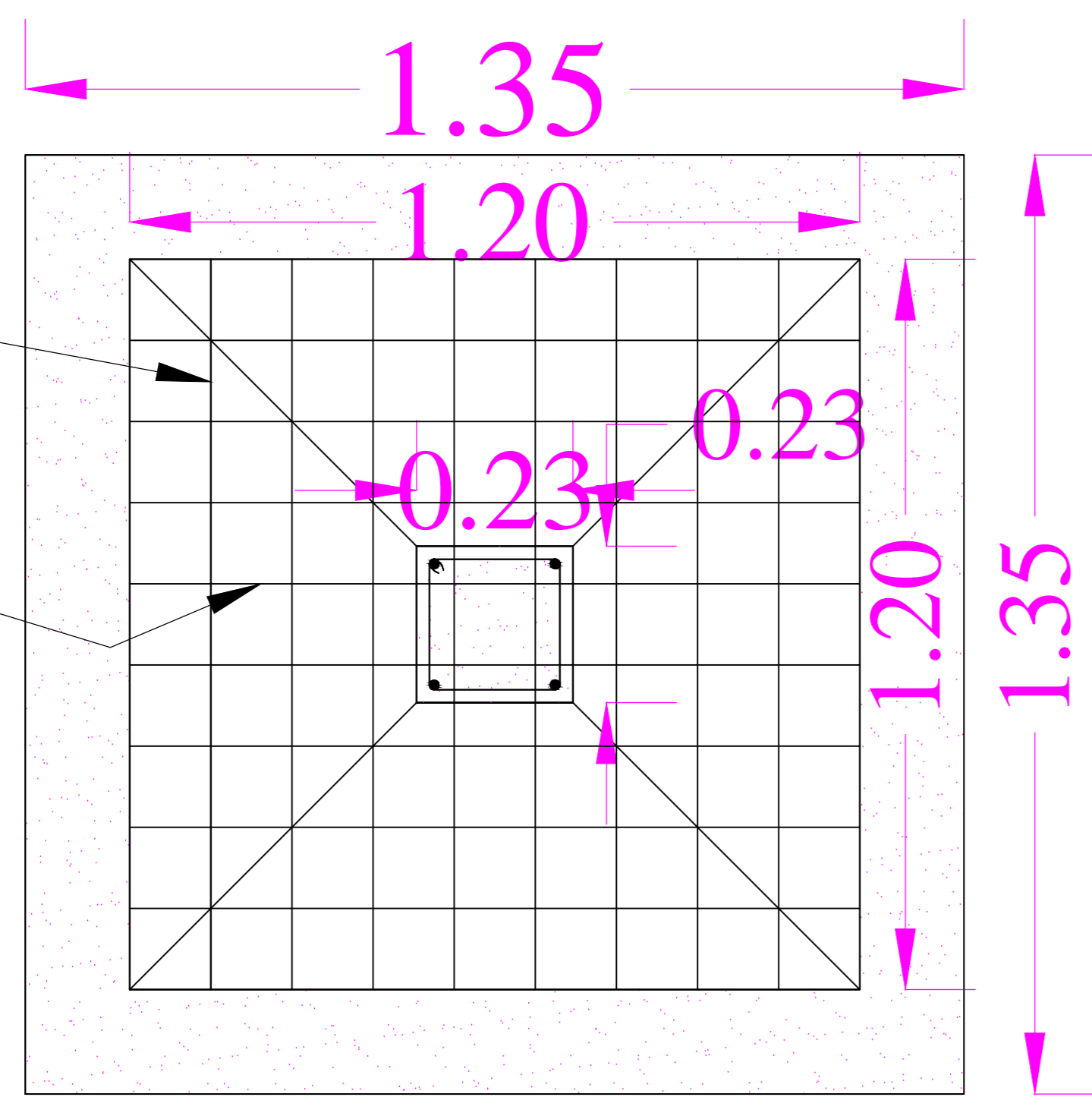


VERTICAL & HORIZONTAL
ROD 12Ø @0.15 C/C

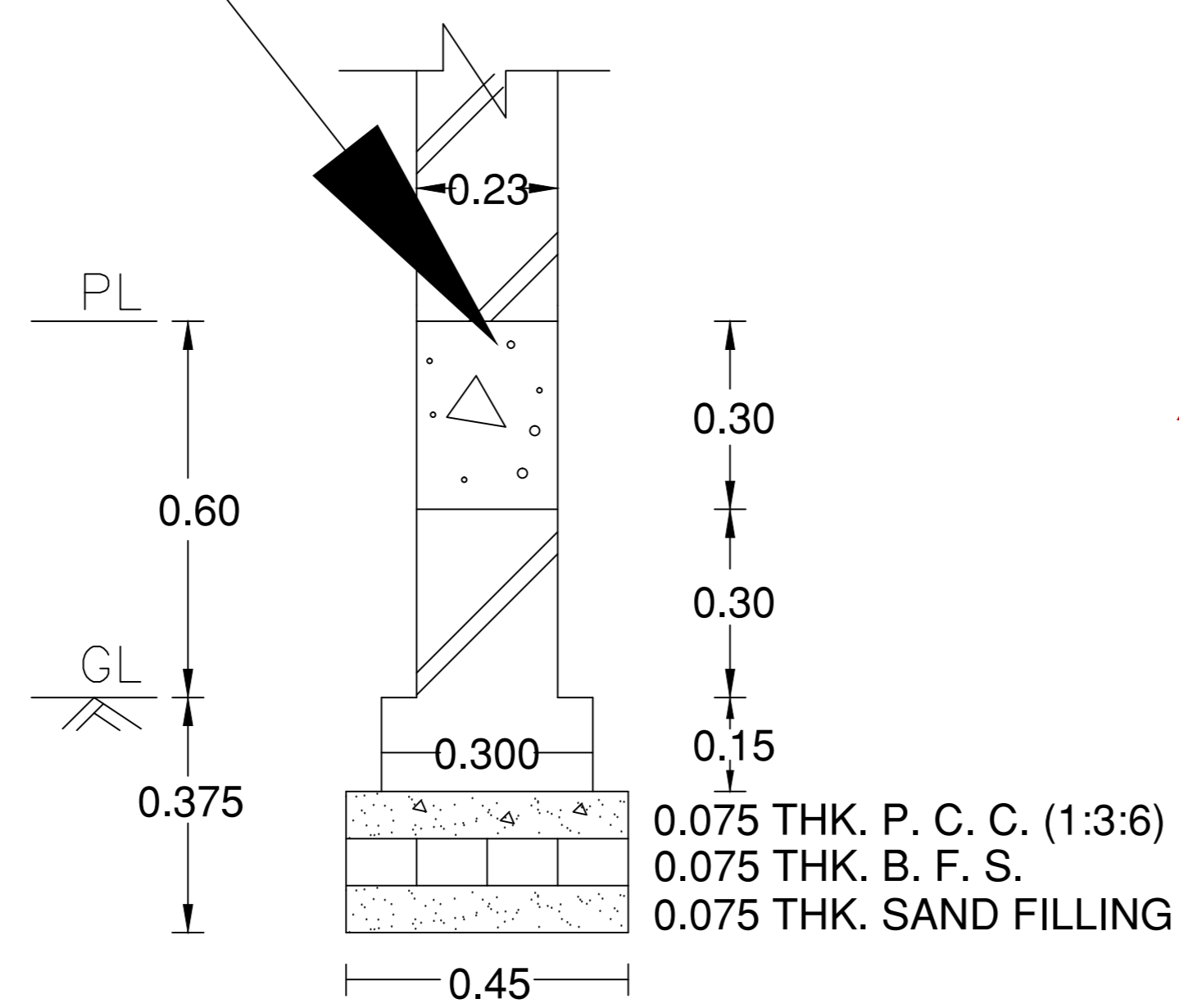


FOUNDATION PLAN

VERTICAL :
4 NOS. - 12Ø

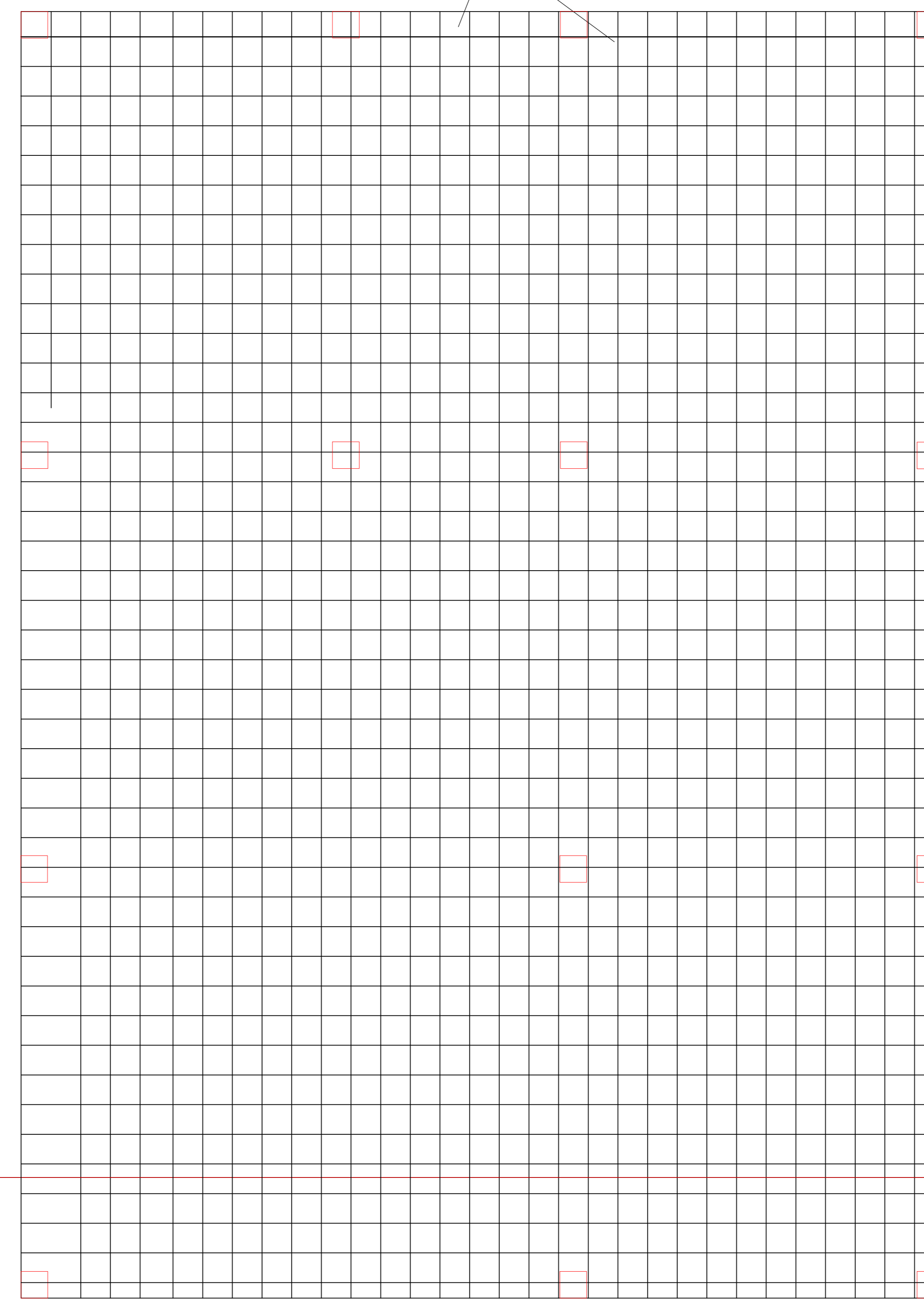
RING : 8Ø @
0.15 C/C

DETAILS OF COLUMN & BEAM

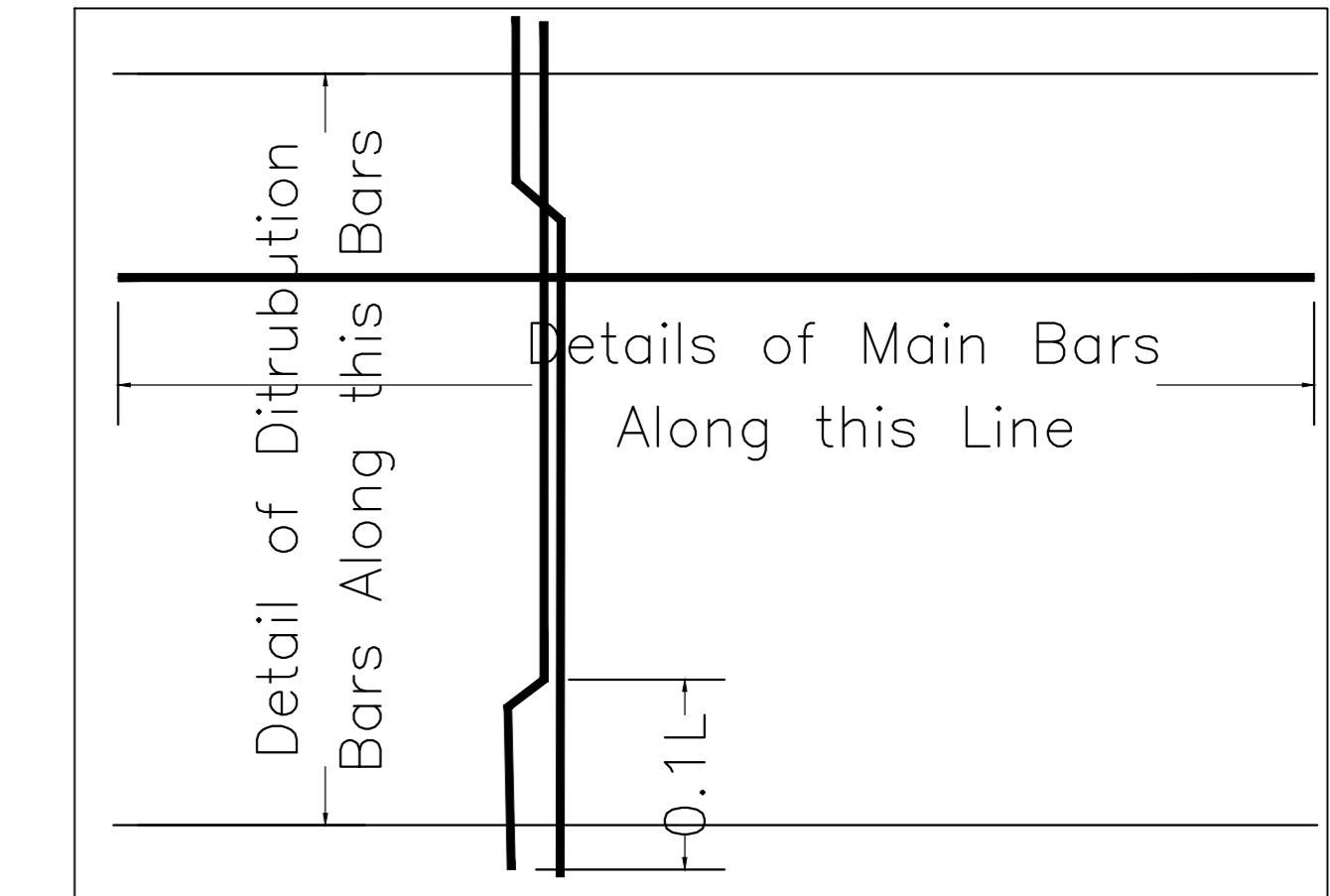


FOUNDATION DETAILS OF WALL

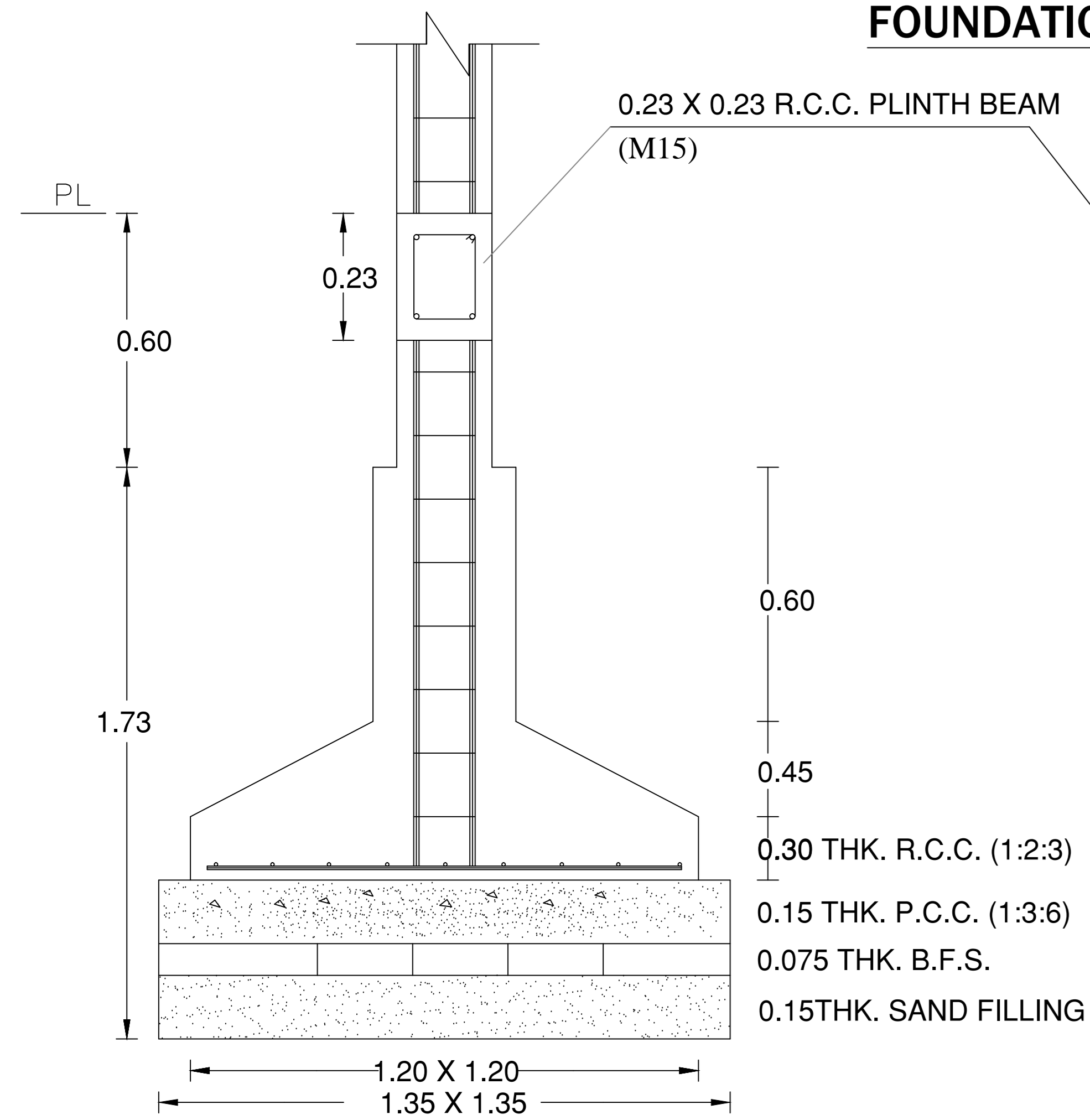
VERTICAL & HORIZONTAL- 12Ø @0.15 C/C



BOTTOM REINFORCEMENT PLAN

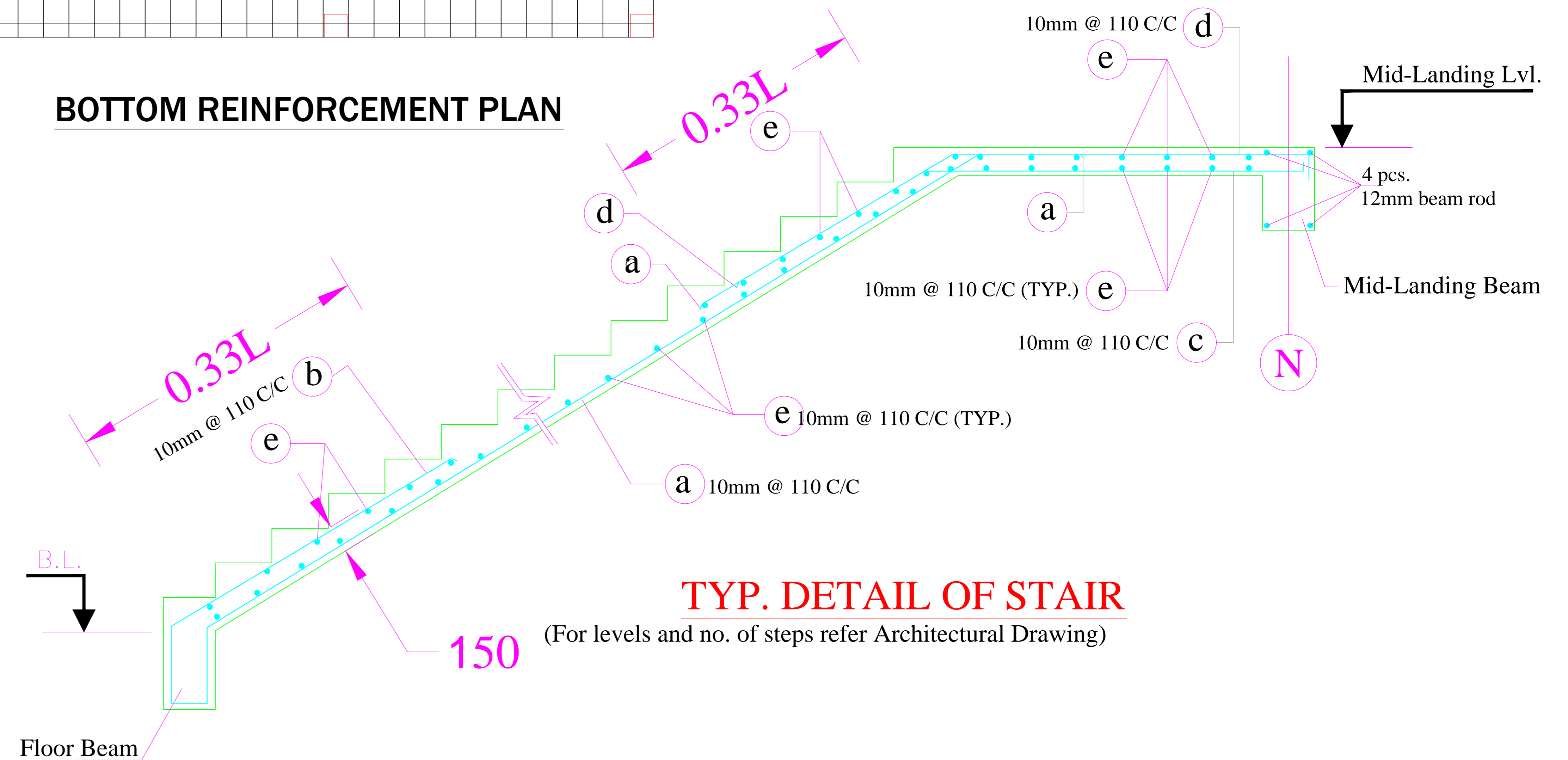


SECTION - D:D



FOUNDATION DETAILS OF COLUMN

Structure Detail



TYP. DETAIL OF STAIR

(For levels and no. of steps refer Architectural Drawing)