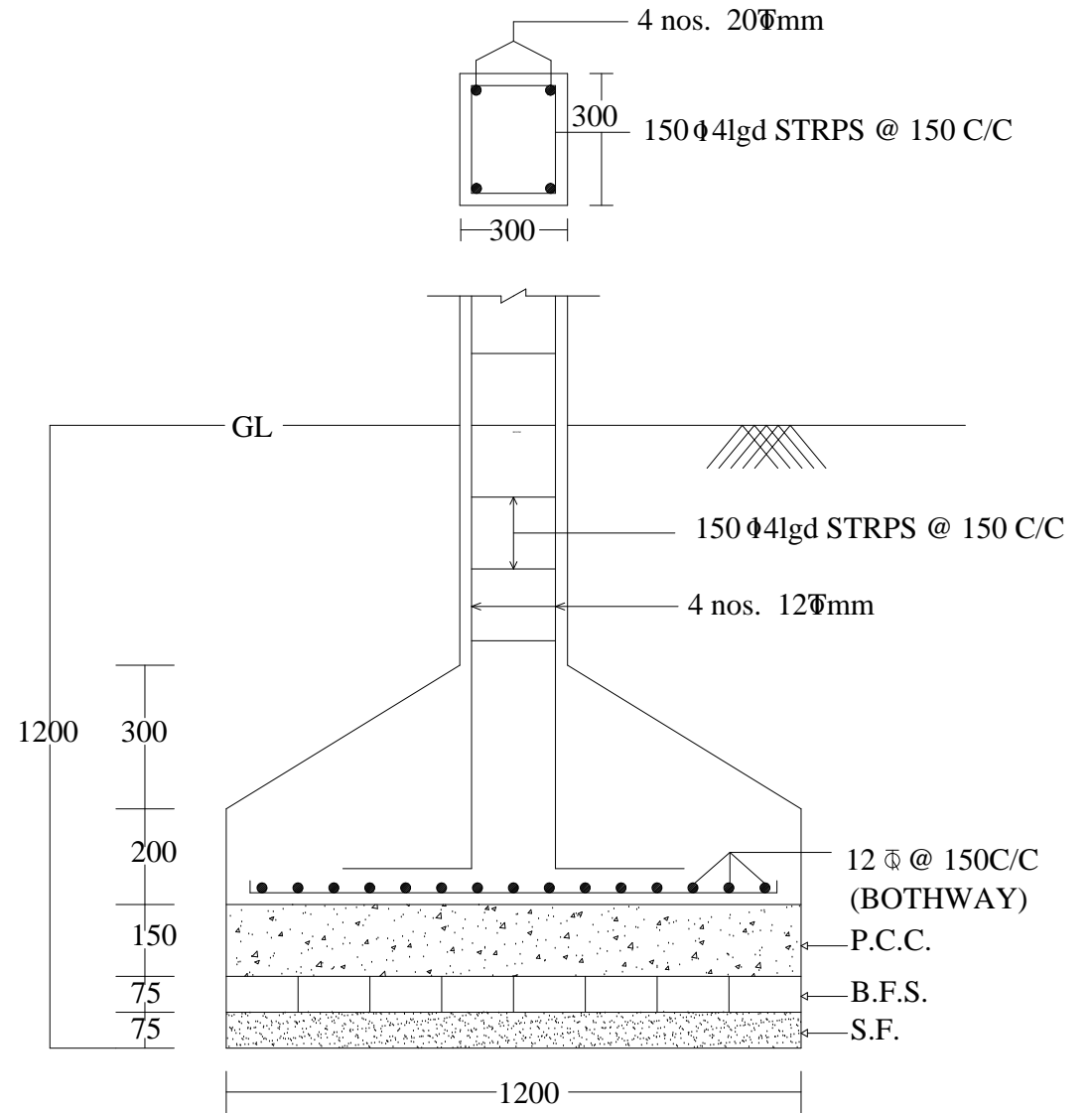


PLAN



SECTION

# DETAIL OF COLUMNS