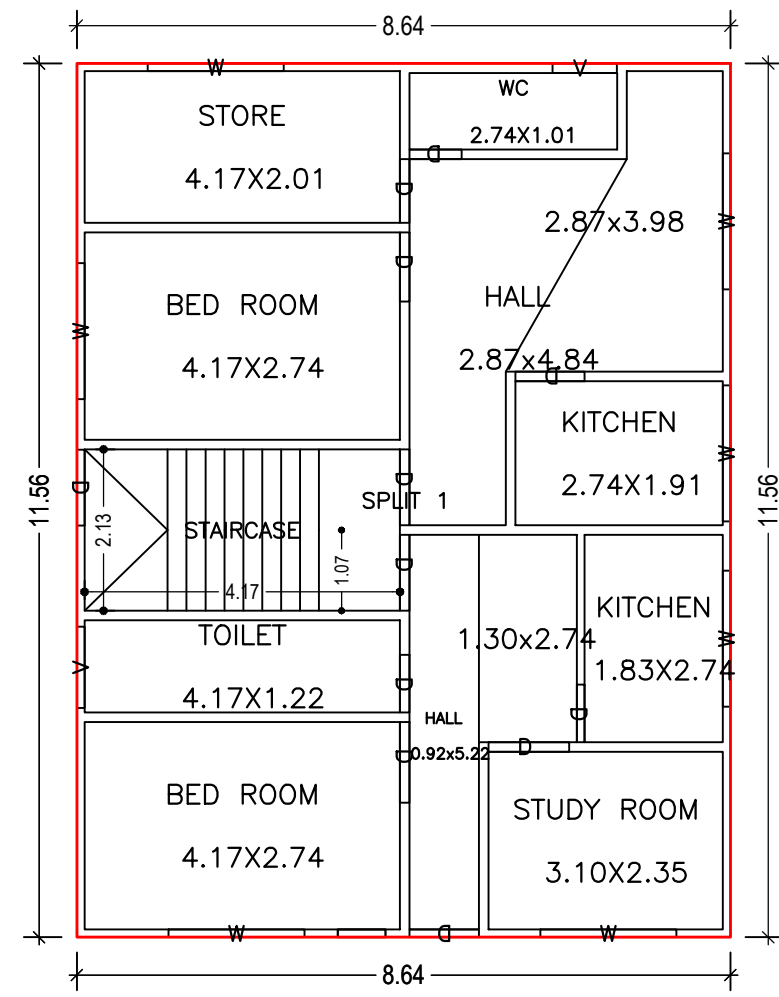


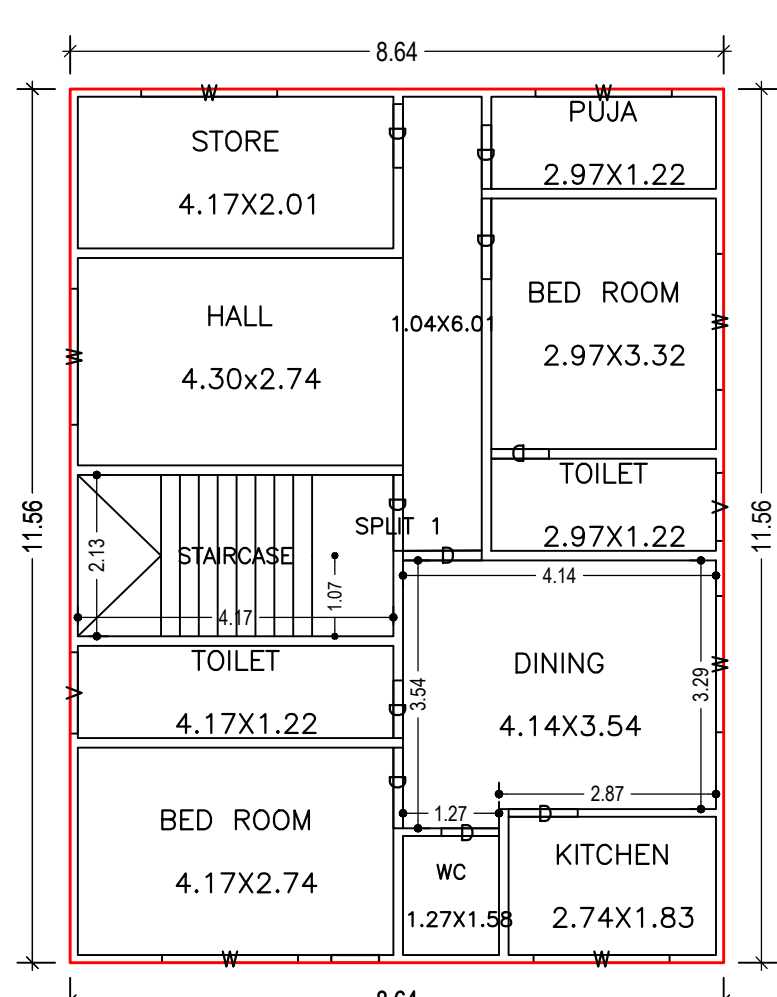


Proposal Basic Information

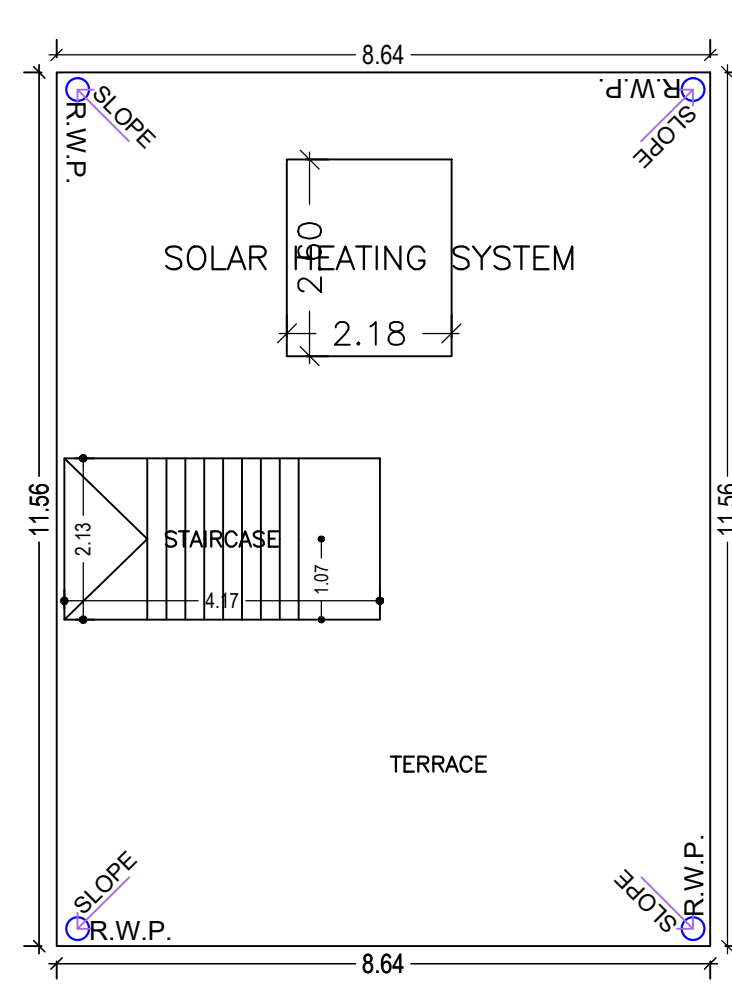
Proposal File No.	DMC/BP/0440/W20/2022
Owner Name	SMT. SUNITA DEVI
Khata No	44
Plot No	349
Village Name	Hirapur
Use	Residential
SubUse	Residential Bldg/Apartment



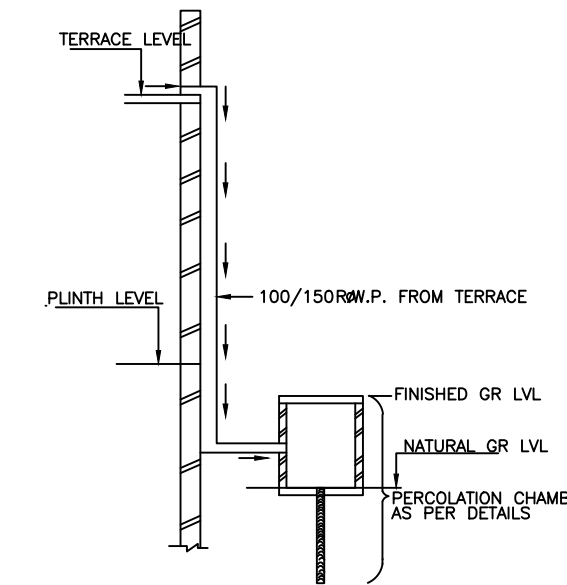
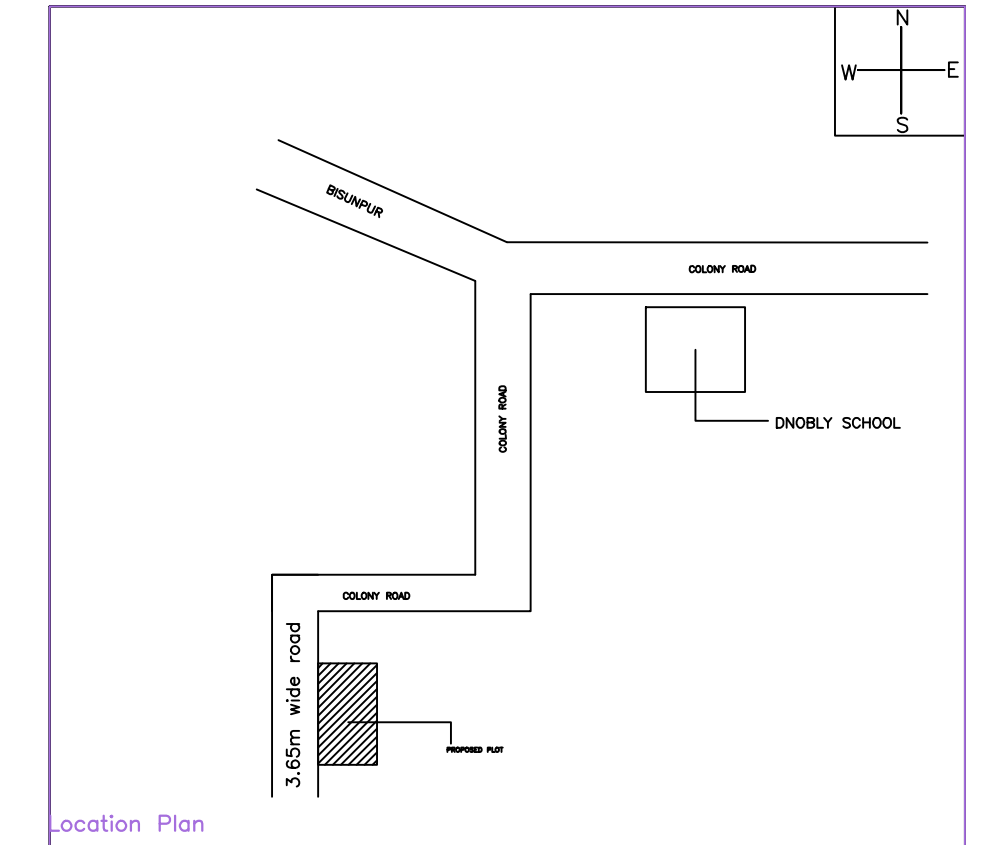
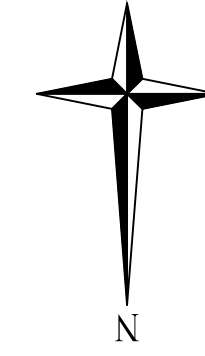
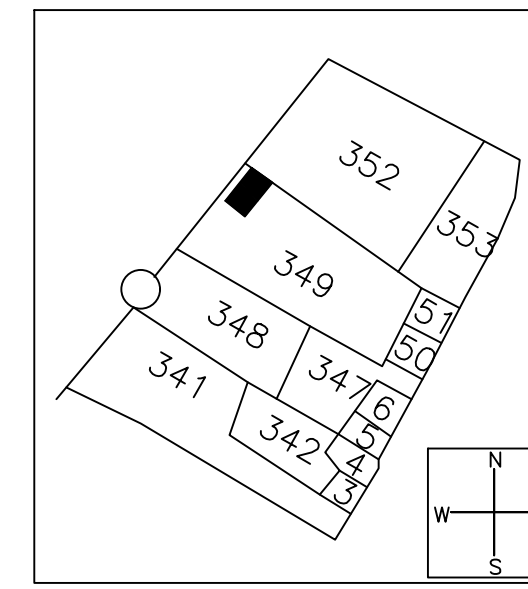
GROUND FLOOR PLAN  
(Proposed)  
(SCALE 1:100)



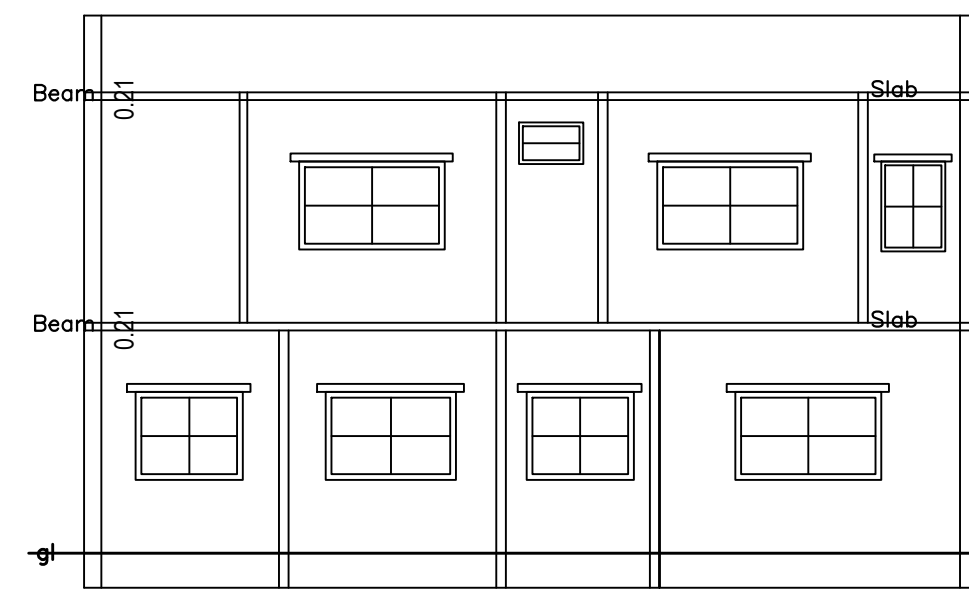
FIRST FLOOR PLAN  
(Proposed)  
(SCALE 1:100)



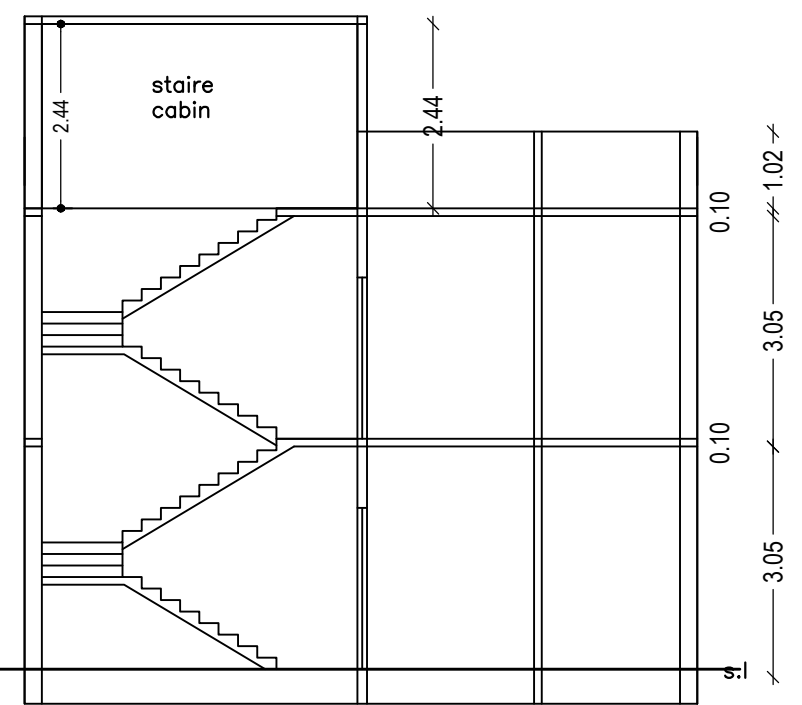
TERRACE FLOOR PLAN  
(SCALE 1:100)



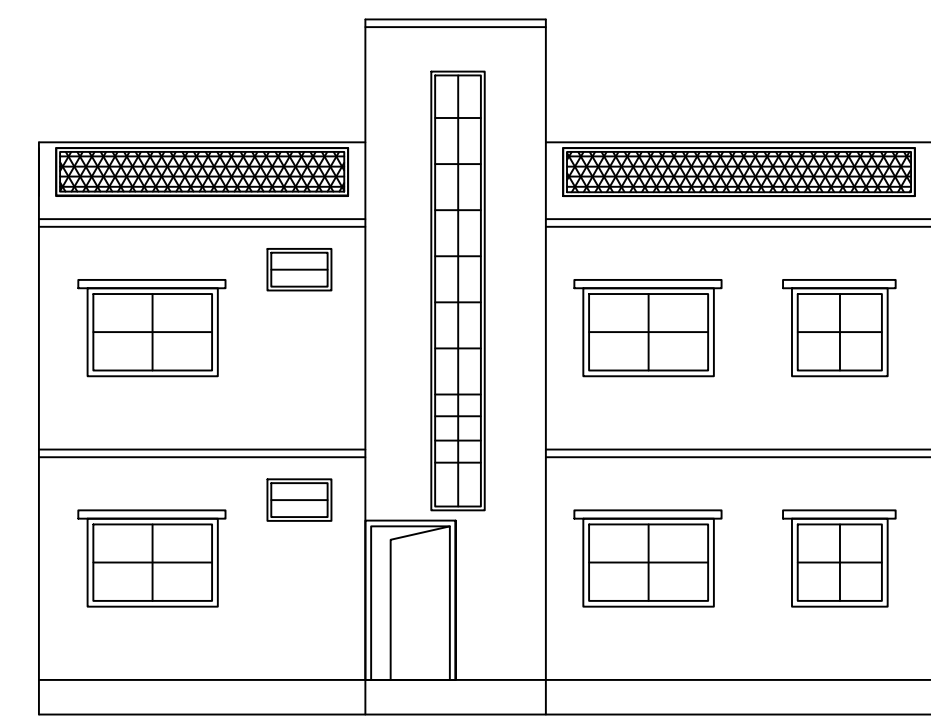
ROOF TOP RAIN WATER  
COLLECTION SYSTEM



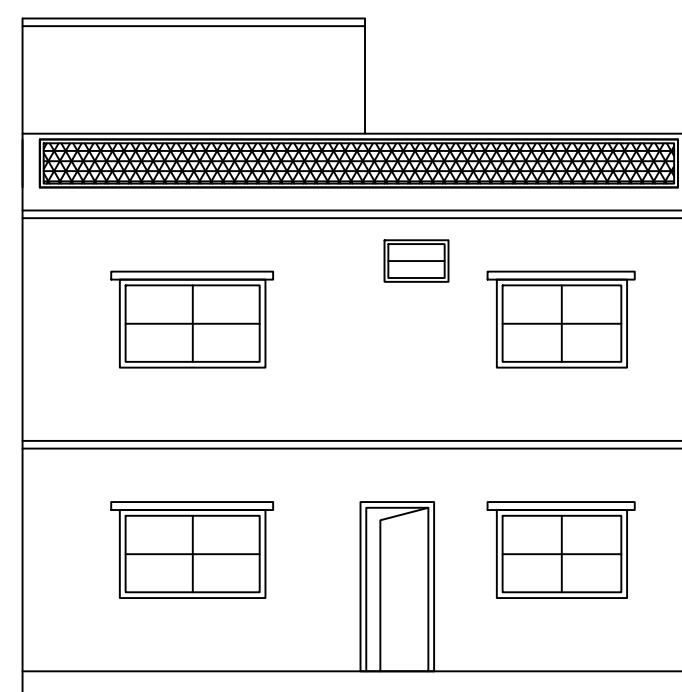
SECTION ON X-X



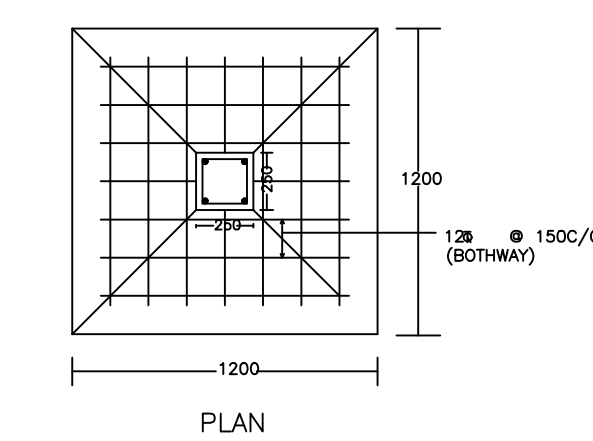
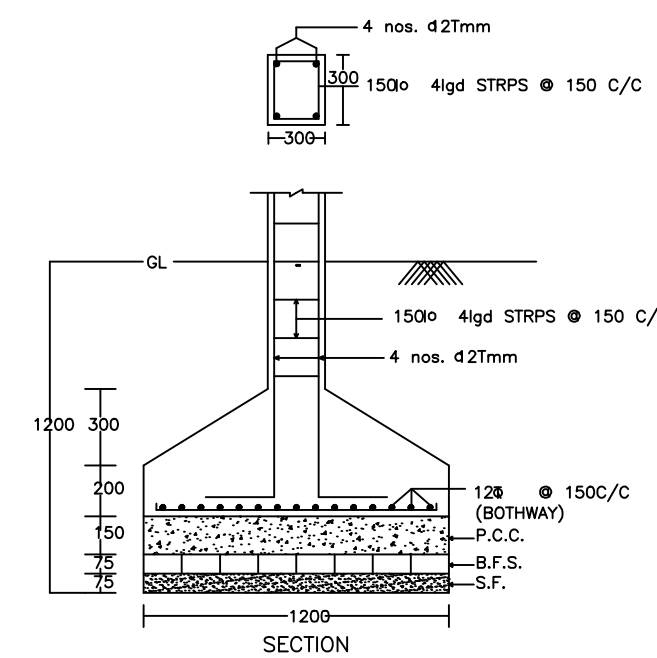
SECTION ON Y-Y



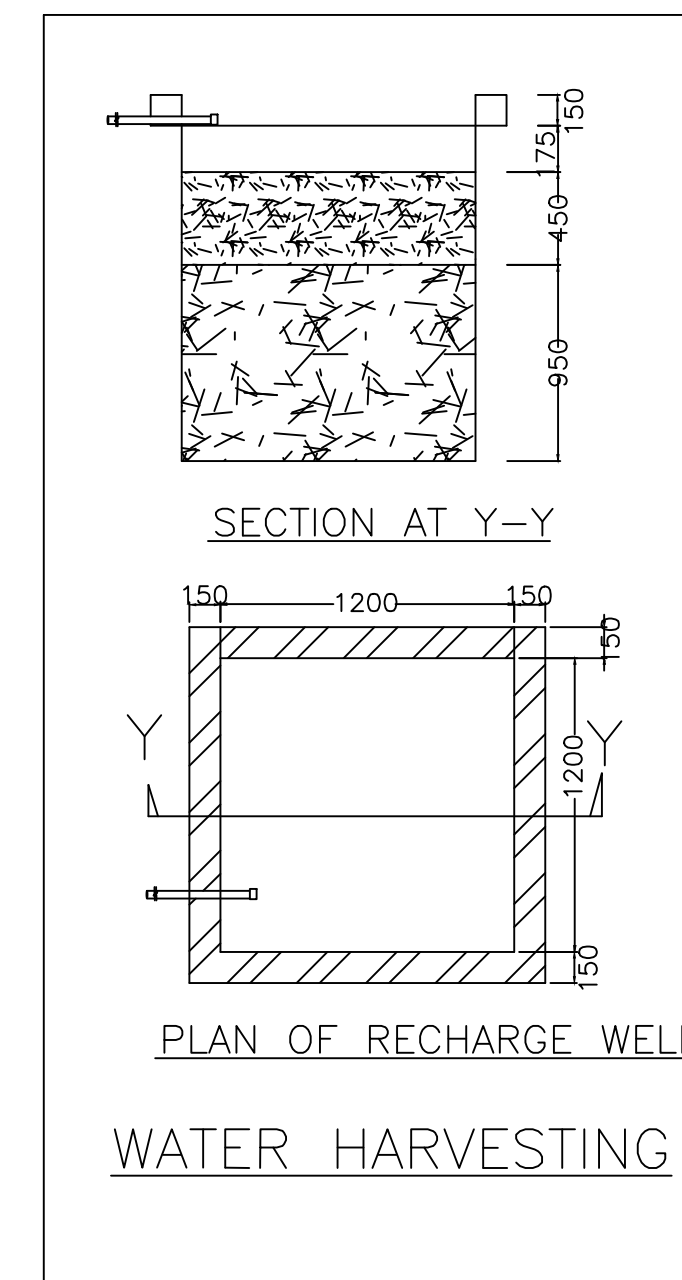
LEFT SIDE ELEVATION



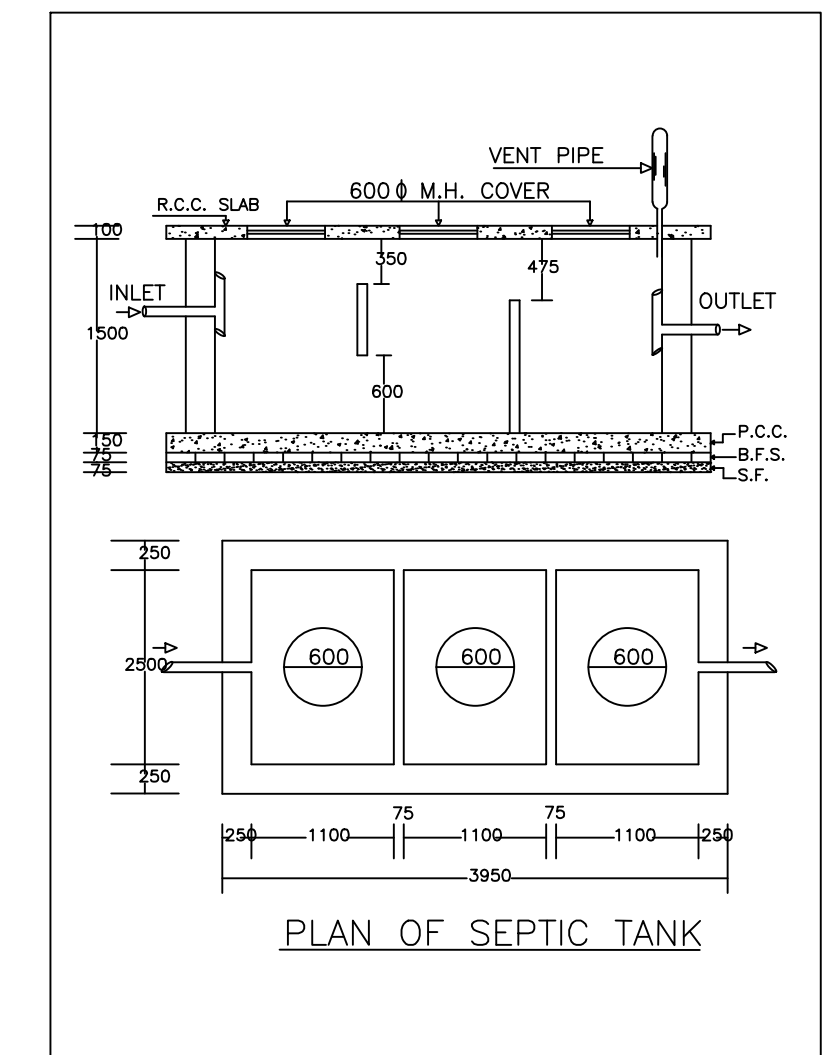
FRONT ELEVATION



DETAIL OF COLUMNS



PLAN OF RECHARGE WELL  
WATER HARVESTING



PLAN OF SEPTIC TANK

LTP NAME AND SIGNATURE	STRUCTURAL ENG'S NAME AND SIGNATURE	BUILDER NAME AND SIGNATURE	DIGITAL SIGNATURE
PARTHA PAL DMC/ENG/0021/2016			